

SEIFERT

ERESCO 42 MF4

Portable air-cooled 200 kV X-ray generator with 3 mm focal spot

The ERESKO 42 MF4 is a very reliable, portable 200 kV industrial X-ray generator also for use outdoors in the field and under challenging environmental conditions.

The ERESKO 42 MF4 offers a material penetration of up to 42 mm steel with 10 minutes exposure time.*

The X-ray tube head consists of a sturdy metal-ceramic X-ray tube and high voltage generator integrated into a rugged compact housing. The air-cooled 200 kV/ 900 W end-grounded X-ray tube is thermally protected for extended life.

The high voltage generator generates high-stability constant potential voltage at higher efficiency than conventional line frequency equipment.

The performance of the X-ray tube and the high voltage generator is continuously monitored for protection and operational safety. An on-board real time clock facilitates fully automatic warm-up routines for optimized and time-saving tube conditioning. The flexible connecting cable is heavy-duty and light weight.

The ERESKO series can also be controlled by PC or laptop and is compatible with the Waygate Technologies software Rhythm Insight RT.

* When the focus-film distance is 700 mm (27.5"), 42 mm (1.65") Fe penetration and AGFA STRUCTURIX D7 film with blackening 2.0

Additional Features

- Rugged construction with proven reliability
- Extended operating range from 5 kV to 200 kV enables flexible use
- Gas insulated high voltage section reduces size & weight
- End-grounded, Be-window, metal-ceramic X-ray tube
- DC voltage operation
- Modern power electronics provides high stability
- On-board real time clock supports fully automatic warm-up
- Large 40° × 60° emergent beam
- Optimized air-flow cooling for efficient heat dissipation
- 100 % duty cycle at 30° Celsius (86° F)
- Built-in fail-safe warning lamp
- CE certification according to EMC and Low Voltage Directives
- French Standard NFC 74 100 compliant
- BfS certification (PTB approval)
- Water / dust resistant in accordance with protection class IP65
- Produced under ISO 9001 certified quality management system

Standard Delivery Scope

ERESCO generator unit from high voltage generator and X-ray tube or optionally as a system with "ERESCO MF4 Control" control unit

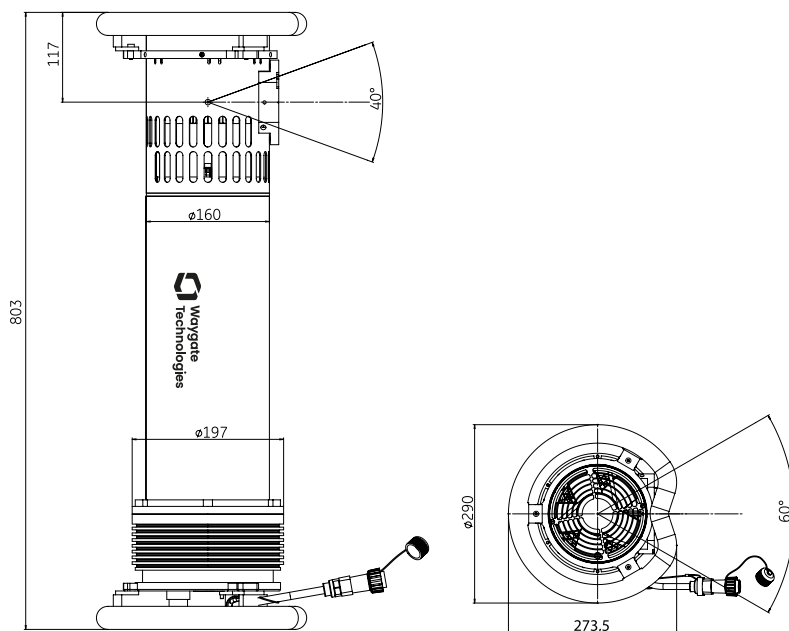
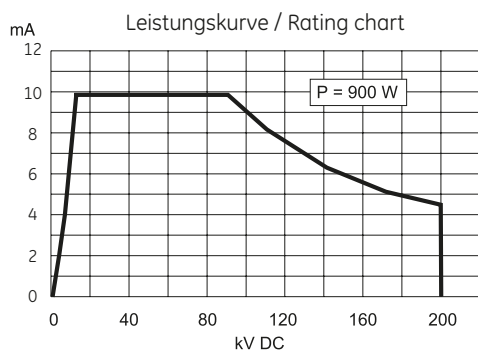
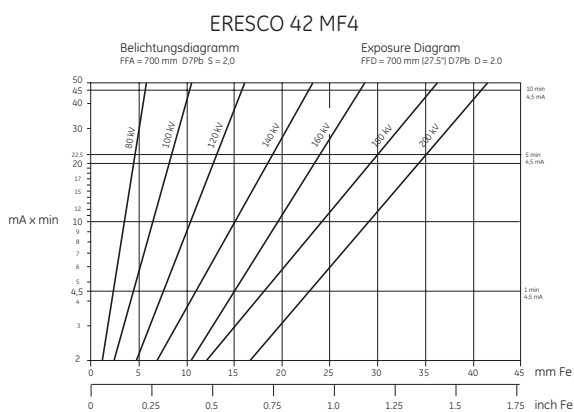


Technical Data

X-ray tube type	200 kV metal-ceramic with Tungsten (W) anode
kV range	5 - 200 kV (acc. to rating chart)
Target angle	20°
Inherent filtration	0.8 mm ± 0.1 mm, Be
Emergent beam	40° × 60°, elliptical
Focal spot size (EN 12 543)	3.0 mm (~1.5 IEC 336)
Tube current	0.5 - 10 mA (4.5 mA /200 kV)
Anode temperature, max.	100° C
Current and voltage stability	± 1 %
Continuous rating	900 W
Duty cycle ($\delta_{amb} = 30^\circ \text{C}$)	100 %
Power input, max.	1.6 kVA
Weight (exluding hand rings)	24.6 kg (54.2 lbs)
Tube head diameter	160 mm (6.3") (without rings)
Protection class	IP65
Operating Temperature	-20° C to +50° C
Storage Temperature	-30° C to +80° C

Options

- Carrying cradle
- Diaphragm / collimator attachments
- Laser centering device
- Transport and positioning cart
- Fail-safe flashing warning lamp
- Stands and mounting kits
- Aluminium transport box



drawings not true to scale

Waygate Technologies
Bogenstr. 41 • 22926 Ahrensburg / Germany
Tel.: +49 4102 807 0 • Fax: +49 4102 807 189 • E-Mail: xray.info@bakerhughes.com

Copyright 2023 Baker Hughes Company. This material contains one or more registered trademarks of Baker Hughes Company and its subsidiaries in one or more countries. All third-party product and company names are trademarks of their respective holders.

BHFF30173EN (05/2023)

Baker Hughes 

waygate-tech.com