

Consolidated

a Baker Hughes business

13900 Series

Pilot-Operated Safety Relief Valves

Instruction Manual (Rev. D)



THESE INSTRUCTIONS PROVIDE THE CUSTOMER/OPERATOR WITH IMPORTANT PROJECT-SPECIFIC REFERENCE INFORMATION IN ADDITION TO THE CUSTOMER/OPERATOR'S NORMAL OPERATION AND MAINTENANCE PROCEDURES. SINCE OPERATION AND MAINTENANCE PHILOSOPHIES VARY, BAKER HUGHES (AND ITS SUBSIDIARIES AND AFFILIATES) DOES NOT ATTEMPT TO DICTATE SPECIFIC PROCEDURES, BUT TO PROVIDE BASIC LIMITATIONS AND REQUIREMENTS CREATED BY THE TYPE OF EQUIPMENT PROVIDED.

THESE INSTRUCTIONS ASSUME THAT OPERATORS ALREADY HAVE A GENERAL UNDERSTANDING OF THE REQUIREMENTS FOR SAFE OPERATION OF MECHANICAL AND ELECTRICAL EQUIPMENT IN POTENTIALLY HAZARDOUS ENVIRONMENTS. THEREFORE, THESE INSTRUCTIONS SHOULD BE INTERPRETED AND APPLIED IN CONJUNCTION WITH THE SAFETY RULES AND REGULATIONS APPLICABLE AT THE SITE AND THE PARTICULAR REQUIREMENTS FOR OPERATION OF OTHER EQUIPMENT AT THE SITE.

THESE INSTRUCTIONS DO NOT PURPORT TO COVER ALL DETAILS OR VARIATIONS IN EQUIPMENT NOR TO PROVIDE FOR EVERY POSSIBLE CONTINGENCY TO BE MET IN CONNECTION WITH INSTALLATION, OPERATION OR MAINTENANCE. SHOULD FURTHER INFORMATION BE DESIRED OR SHOULD PARTICULAR PROBLEMS ARISE WHICH ARE NOT COVERED SUFFICIENTLY FOR THE CUSTOMER/OPERATOR'S PURPOSES THE MATTER SHOULD BE REFERRED TO BAKER HUGHES.

THE RIGHTS, OBLIGATIONS AND LIABILITIES OF BAKER HUGHES AND THE CUSTOMER/OPERATOR ARE STRICTLY LIMITED TO THOSE EXPRESSLY PROVIDED IN THE CONTRACT RELATING TO THE SUPPLY OF THE EQUIPMENT. NO ADDITIONAL REPRESENTATIONS OR WARRANTIES BY BAKER HUGHES REGARDING THE EQUIPMENT OR ITS USE ARE GIVEN OR IMPLIED BY THE ISSUE OF THESE INSTRUCTIONS.

THESE INSTRUCTIONS ARE FURNISHED TO THE CUSTOMER/OPERATOR SOLELY TO ASSIST IN THE INSTALLATION, TESTING, OPERATION, AND/OR MAINTENANCE OF THE EQUIPMENT DESCRIBED. THIS DOCUMENT SHALL NOT BE REPRODUCED IN WHOLE OR IN PART WITHOUT THE WRITTEN APPROVAL OF BAKER HUGHES.

Conversion Table

All the United States Customary System (USCS) values are converted to metric values using the following conversion factors:

USCS Unit	Conversion Factor	Metric Unit
in.	25.4	mm
lb.	0.4535924	kg
in ²	6.4516	cm ²
ft ³ /min	0.02831685	m ³ /min
gal/min	3.785412	L/min
lb/hr	0.4535924	kg/hr
psig	0.06894757	barg
ft lb	1.3558181	Nm
°F	5/9 (°F-32)	°C

Note: Multiply USCS value with conversion factor to get metric value.

NOTICE

For valve configurations not listed in this manual, please contact your local Consolidated *Green Tag*™ Center for assistance.

Table of Contents

I.	Product Safety Sign and Label System.....	1
II.	Safety Precautions.....	2
III.	Safety Notice.....	4
IV.	Warranty Information.....	5
V.	Terminology for Safety Relief Valves.....	6
VI.	Handling and Storage.....	7
VII.	Pre-Installation and Installation Instructions.....	8
VIII.	Introduction.....	8
IX.	Consolidated 13900 Series Safety Relief Valve.....	9
	A. Main Valve.....	9
	B. Pilot Valve.....	11
X.	Operating Principles.....	12
XI.	Recommended Installation Practices.....	14
XII.	Disassembly of 13900 Pilot Operated Safety Relief Valve.....	16
	A. Disassembly of Pilot from Main Valve.....	16
	B. Disassembly of Pilot Valve.....	16
	C. Pilot Valve Cleaning.....	16
XIII.	Inspection and Part Replacement.....	17
XIV.	Reassembly of Pilot Valve.....	19
XV.	Disassembly of Main Valve.....	20
	A. Disassembly of Main Valve.....	20
	B. Main Valve Cleaning.....	21
XVI.	Inspection and Part Replacement (Main Valve).....	21
	A. Repair of Main Valve Seat.....	22
	B. Replacement of Seat Bushing.....	22
XVII.	Assembly of Main Valve.....	23
XVIII.	Assembly of Pilot and Main Valve.....	25
XIX.	Testing.....	26
	A. Hydrostatic Testing and Gagging Valves.....	28
XX.	Maintenance Tools and Supplies.....	29
XXI.	Replacement Parts Planning.....	30
	A. General Information.....	30
	B. Inventory Planning.....	30
	C. Replacement Parts List.....	30
	D. Identification and Ordering Essentials.....	30
XXII.	Genuine Consolidated Parts.....	30
XXIII.	Recommended Spare Parts.....	31
XXIV.	Manufacturer’s Field Service, Repair and Training Programs.....	33
	A. Field Service.....	33
	B. Factory Repair Facilities.....	33
	C. Maintenance Training.....	33

I. Product Safety Sign and Label System

If and when required, appropriate safety labels have been included in the rectangular margin blocks throughout this manual. Safety labels are vertically oriented rectangles as shown in the **representative examples** (below), consisting of three panels encircled by a narrow border. The panels can contain four messages which communicate:

- The level of hazard seriousness.
- The nature of the hazard.
- The consequence of human, or product, interaction with the hazard.
- The instructions, if necessary, on how to avoid the hazard.

The top panel of the format contains a signal word (DANGER, WARNING, CAUTION or ATTENTION) which communicates the level of hazard seriousness.

The center panel contains a pictorial which communicates the nature of the hazard, and the possible consequence of human or product interaction with the hazard. In some instances of human hazards the pictorial may, instead, depict what preventive measures to take, such as wearing protective equipment.

The bottom panel may contain an instruction message on how to avoid the hazard. In the case of human hazard, this message may also contain a more precise definition of the hazard, and the consequences of human interaction with the hazard, than can be communicated solely by the pictorial.

① **DANGER** — Immediate hazards which **WILL** result in severe personal injury or death.

② **WARNING** — Hazards or unsafe practices which **COULD** result in severe personal injury or death.

③ **CAUTION** — Hazards or unsafe practices which **COULD** result in minor personal injury.

④ **ATTENTION** — Hazards or unsafe practices which **COULD** result in product or property damage



II. Safety Precautions



Read - Understand - Practice

1. **DANGER:** High temperature/pressure can cause injury. Be sure all system pressure is absent before repairing or removing valves.
2. **DANGER:** Don't stand in front of valve outlet when discharging. **STAND CLEAR OF VALVE** to prevent exposure to trapped, corrosive media.
3. **DANGER:** When inspecting a pressure relief valve for leakage. **BE VERY CAREFUL!**

1. **WARNING:** Allow the system to cool to room temperature before cleaning servicing or repairing the system. Hot components or fluids can cause severe personal injury or death.
2. **WARNING:** Always read and comply with safety labels on all containers. Do not remove or deface the container. Do not remove or deface the container labels. Improper handling or misuse could result in severe personal injury or death.
3. **WARNING:** Never use pressurized fluids/gas/air to clean clothing or body parts. Never use body parts to check for leakage or discharge rates of areas. Pressurized fluids/gas/air injected into or near the body can cause severe personal injury or death.
4. **WARNING:** It is the responsibility of the owner to specify and provide guarding to protect persons from pressurized or heated parts. Contact with pressurized or heated parts can result in severe personal injury or death.
5. **WARNING:** Do not allow anyone under the influence of intoxicants or narcotics to work on or around pressurized systems. Workers under the influence of intoxicants or narcotics are a hazard both to themselves and other employees and can cause severe personal injury or death to themselves or others.
6. **WARNING:** Incorrect service and repair could result in product or property damage or severe personal injury or death.

Note: Any Service questions not covered in this manual should be referred to your local Green Tag Center.

II. Safety Precautions (Contd.)

⚠ WARNING




All potential hazards may not be covered in this manual.

⚠ WARNING



Improper tools or improper use of right tools could result in personal injury or product damage.

⚠ WARNING



Know nuclear "health physics" procedures, if applicable, to avoid possible severe personal injury or death.

⚠ CAUTION



Heed all service manual warnings. Read installation instructions before installing valve(s).

⚠ CAUTION



Wear necessary protective equipment to prevent possible injury.

⚠ CAUTION



Always use appropriate restoration procedures.

7. **WARNING:** This valve product line is not intended for radioactive nuclear applications. Some valve products manufactured by Baker Hughes may be used in radioactive environments. Consequently, prior to starting any operation in a radioactive environment, the proper "health physics" procedures should be followed, if applicable.
8. **WARNING:** Use of improper tools or improper use of right tools could result in personal injury or product or property damage.
9. **WARNING:** These WARNINGS are as complete as possible but not all-inclusive. Baker Hughes cannot know all conceivable service methods nor evaluate all potential hazards.

Cautions Concerning Product Warning Labels

1. **CAUTION:** Heed all service manual warnings. Read installation instructions before installing valve(s).
2. **CAUTION:** Wear hearing protection when testing or operating valves.
3. **CAUTION:** Wear appropriate eye and clothing protection.
4. **CAUTION:** Wear protective breathing apparatus to protect against toxic media.

Note: Any Service questions not covered in this manual should be referred to your local Green Tag Center.

Restoring Safety

Appropriate service and repair important to safe, reliable operation of all valve products. Restoration to original quality and manufacturing specifications will accomplish the desired results. Procedures developed by Baker Hughes as described in the applicable installation and Maintenance Manual, when correctly applied, will be effective.

III. Safety Notice

Proper installation and start-up is essential to the safe and reliable operation of all valve products. The relevant procedures recommended by Baker Hughes, and described in these instructions, are effective methods of performing the required tasks.

It is important to note that these instructions contain various “safety messages” which should be carefully read in order to minimize the risk of personal injury, or the possibility that improper procedures will be followed which may damage the involved Baker Hughes product, or render it unsafe. It is also important to understand that these “safety messages” are not exhaustive. Baker Hughes can not possibly know, evaluate, and advise any customer of all of the conceivable ways in which tasks might be performed, or of the possible hazardous consequences of each way. Consequently, Baker Hughes has not undertaken any such broad evaluation and, thus, anyone who uses a procedure and/or tool, which is not recommended by Baker Hughes, or deviates from Baker Hughes recommendations, must be thoroughly satisfied that neither personal safety, nor valve safety, will be jeopardized by the method and/or tools selected. Contact your local Green Tag Center if there are any questions relative to tools/methods.

The installation and start-up of valves and/or valve products may involve proximity to fluids at extremely high pressure and/or temperature. Consequently, every precaution should be taken to prevent injury to personnel during the performance of any procedure. These precautions should consist of, but are not limited to, ear drum protection, eye protection, and the use of protective clothing, (i.e., gloves, etc.) when personnel are in, or around, a valve work area. Due to the various circumstances and conditions in which these operations may be performed on Baker Hughes products, and the possible hazardous consequences of each way, Baker Hughes can not possibly evaluate all conditions that might injure personnel or equipment. Nevertheless, Baker Hughes does offer certain Safety Precautions, listed in Section II, for customer information only.

It is the responsibility of the purchaser or user of Baker Hughes valves/equipment to adequately train all personnel who will be working with the involved valves/equipment. For more information on training schedules, please contact your local Green Tag Center. Further, prior to working with the involved valves/equipment, personnel who are to perform such work should become thoroughly familiar with the contents of these instructions.



IV. Warranty Information

CAUTION



Defective and nonconforming items must be inspected by Baker Hughes.

CAUTION



Removal and/or breakage of seal will negate our warranty.

Warranty Statement

Warranty Statement¹: Baker Hughes warrants that its products and work will meet all applicable specifications and other specific product and work requirements (including those of performance), if any, and will be free from defects in material and workmanship.

CAUTION: Defective and nonconforming items must be held for Baker Hughes inspection and returned to the manufacturer upon request.

Incorrect Selection or Misapplication of Products: Baker Hughes cannot be responsible for customer's incorrect selection or misapplication of our products.

Unauthorized Repair Work: Baker Hughes has not authorized any non-Baker Hughes affiliated repair companies, contractors or individuals to perform warranty repair service on new products or field repaired products of its manufacture. Therefore customers contracting such repair services from unauthorized sources must do so at their own risk.

Unauthorized Removal of Seals: All new valves and valves repaired in the field by Baker Hughes Field Service are sealed to assure the customer of our guarantee against defective workmanship. Unauthorized removal and/or breakage of this seal will negate our warranty.

- (1) Refer to Baker Hughes's Standard Terms of Sale for complete details on warranty and limitation of remedy and liability.

V. Terminology for Safety Relief Valves

- **Accumulation:** The pressure increase over the maximum allowable working pressure of the vessel during discharge through the POSRV, expressed as a percentage of that pressure or in actual pressure units.
- **Backpressure:** The pressure on the discharge side of the POSRV:
 - **Built-up Backpressure:** Pressure that develops at the valve outlet as a result of flow, after the POSRV has been opened.
 - **Superimposed Backpressure:** Pressure in the discharge header before the POSRV opens.
 - **Constant Backpressure:** Superimposed backpressure that is constant with time.
 - **Variable Backpressure:** Superimposed backpressure that will vary with time.
- **Blowdown:** The difference between set pressure and reseating pressure of the POSRV, expressed as a percentage of the set pressure or in actual pressure units.
- **Cold Differential Set Pressure:** The pressure at which the valve is adjusted to open on the test stand. This pressure corrects for backpressure when a pop action pilot's vent is piped to the main valve outlet.
- **Differential Between Operating and Set Pressures:** Valves in process service will generally give best results if the operating pressure does not exceed 90% of the set pressure. However, on pump and compressor discharge lines, the differential required between the operating and set pressures may be greater because of pressure pulsations coming from a reciprocating piston. The valve should be set as far above the operating pressure as possible.
- **Lift:** The actual travel of the disc away from the closed position when a valve is relieving.
- **Maximum Allowable Working Pressure:** The maximum gauge pressure permissible in a vessel at a designated temperature. A vessel may not be operated above this pressure or its equivalent at any metal temperature other than that used in its design. Consequently, for that metal temperature, it is the highest pressure at which the primary pressure POSRV is set to open.
- **Operating Pressure:** The gauge pressure to which the vessel is normally subjected in service. A suitable margin is provided between operating pressure and maximum allowable working pressure. For assured safe operation, the operating pressure should be at least 10% under the maximum allowable working pressure or 5 psig (0.34 bar), whichever is greater.
- **Overpressure:** A pressure increase over the set pressure of the primary relieving device. Overpressure is similar to accumulation when the relieving device is set at the maximum allowable working pressure of the vessel. Normally, overpressure is expressed as a percentage of set pressure.
- **Pilot Operated Safety Relief Valve (POSRV):** A pressure relief valve in which the major relieving device is combined with, and is controlled by, a self-actuated auxiliary pressure relief valve.
- **Rated Capacity:** The percentage of measured flow at an authorized percent overpressure permitted by the applicable code. Rated capacity is generally expressed in pounds per hour (lb/hr) or kilograms per hour (kg/hr) for vapors, standard cubic feet per minute (SCFM) or cubic meters per minute (m³/min) for gases, and in gallons per minute (GPM) or Liter/min (L/min) for liquids.
- **Relief Valve:** An automatic pressure-relieving device, actuated by static pressure upstream from the valve. A relief valve is used primarily for liquid service.
- **Safety Relief Valve (SRV):** An automatic pressure-relieving device used as either a safety or relief valve, depending upon application. The SRV is used to protect personnel and equipment by preventing excessive overpressure.
- **Safety Valve:** An automatic pressure-relieving device actuated by the static pressure upstream of the valve, and characterized by a rapid opening or "pop" action. It is used for steam, gas, or vapor service.
- **Set Pressure:** The gauge pressure at the valve inlet, for which the relief valve has been adjusted to open under service conditions. In liquid service, the inlet pressure at which the valve starts to discharge determines set pressure. In gas or vapor service, the inlet pressure at which the valve pops determines the set pressure.

VI. Handling and Storage

1. The valve, either crated or uncrated, should always be kept with the inlet flange down, i.e., never laid on its side, to prevent possible misalignment and damage to internals.
2. Pressure relief valves should be stored in a dry environment to protect them from the weather. They should not be removed from the skids or crates until immediately prior to installation.
3. Flange protectors and sealing plugs should not be removed until the valve is ready to be bolted on to the installation.
4. Pressure relief valves, either crated or uncrated, should never be subjected to sharp impact. This would be most likely to occur by bumping or dropping during loading or unloading from a truck or while moving with a power conveyor, such as a fork lift truck. While hoisting to the installation, care should be exercised to prevent bumping the valve against steel structures and other objects.
5. Uncrated valves should be moved or hoisted by the three eye bolts located on the top flange of the valve (See Figure 1, Item 26). Crated valves should always be lifted with the inlet flange down.
6. When pressure relief valves are uncrated and the flange protectors removed immediately prior to installation, meticulous care should be exercised to prevent dirt and other foreign materials from entering the inlet and outlet ports while bolting in place.
7. "Short Term Storage" is defined as storage not exceeding six months from date of shipment. "Long Term Storage" is defined as storage not exceeding one year from date of shipment. "Extended Storage" is defined as storage exceeding one year from date of shipment.
8. For Extended Storage, items shall be stored within a fire resistant, tear resistant, envelope and stored in a weathertight, and well ventilated building or equivalent enclosure. Precautions shall be taken against vandalism. This area shall be situated and constructed so that it will not be subject to flooding; the floor shall be paved or equal, and well drained. Items shall be placed on pallets or shoring to permit air circulation. The area shall be provided with uniform heating and temperature control or its equivalent to prevent condensation and corrosion. Minimum temperature shall be 40°F (4.4°C) and maximum temperature shall not exceed 140°F (60°C). Valves or parts shall be stored in the original shipping container. The shipping container shall be kept in an upright position as indicated by the markings on the crate. **DO NOT STACK.** Level B storage requirements as specified in ANSI N45.2.2 shall apply. All material, upon receipt, should be inspected and all coatings and packaging damaged during shipping and handling shall be put into like new condition before storing.
9. For Long Term Storage, items shall be stored indoors or equivalent with all provisions and requirements as set forth in extended storage items except that heat and temperature control is not required. Level C storage requirements as specified in ANSI N45.2.2 shall apply.
10. For Short Term Storage, the storage requirements are the same as those specified for Long Term Storage.
11. For any reason should it be necessary to store the valve in an uncrated condition, the valve shall be stored in an upright position on the inlet flange, making certain the inlet flange is protected from damage. Never lay the valve on its side as damage to the internals and misalignment may be incurred. The valve, when removed from the shipping container, shall have the protectors left intact to prevent entrance of foreign materials. Use all precaution to prevent the entrance of dirt and foreign material into the valve.

VII. Pre-Installation and Installation Instructions

1. Lift the valve using all three eye bolts located on the top flange (See Figure 1, Item 26). Eye bolts must be fully engaged in top flange.

CAUTION

Do not allow lifting chain or sling to exert any sideways thrust on the pilot valve or damage to pilot valve will result.

VIII. Introduction

Modern nuclear power plants have given rise to systems which cycle extremely large quantities of steam at relatively low pressures. This is particularly true in the reheat portion of the turbine cycle.

These requirements have exceeded the feasible limits of conventional spring loaded safety valves. In response to this requirement, the Consolidated 13900 series pilot operated safety relief valves were developed for ASME Code Section XIII (UV Designator) service providing discharge orifice sizes up to 200 square inches with minimum overall height and weight.

The pilot senses pressure internally through the main valve eliminating the need for external pressure lines which normally are subject to mechanical damage, fouling or rupture.

The combination of conventional spring loaded pilot and an internal sensing tube meet all Code requirements for a Fail Safe Device.

As an additional safety feature, the pilot discharge can be vented to the outlet of the main valve if required. This is accomplished by the use of a discharge tube from the pilot valve outlet to the main valve outlet.

An effort has been made to provide a valve which requires a minimum of maintenance upkeep and can be actually repaired on its installation site.

Factors which contribute to minimum maintenance requirements of the Main Valve consist of:

1. No metal sliding surfaces;
2. Use of Teflon seals for good high temperature sealing characteristics.
3. Metal to metal load bearing characteristics of Consolidated's O-Ring seat seal which will not deform the seat seal anymore than required for pressure sealing.

When maintenance work is necessary, the following features offer advantages in reducing the amount of labor required:

1. All parts of the valve are top inserted.
2. It is not necessary that the valve be removed from its installation site or that the outlet piping be removed, unless the seat bushing requires rework.
3. Large diameter soft seats do not require the "Excellence of Technique" needed to get leakproof large diameter metal seats.
4. The pilot valve can be removed and be reworked and readjusted on a separate small test facility.

IX. Consolidated 13900 Series POSRV

A. Main Valve

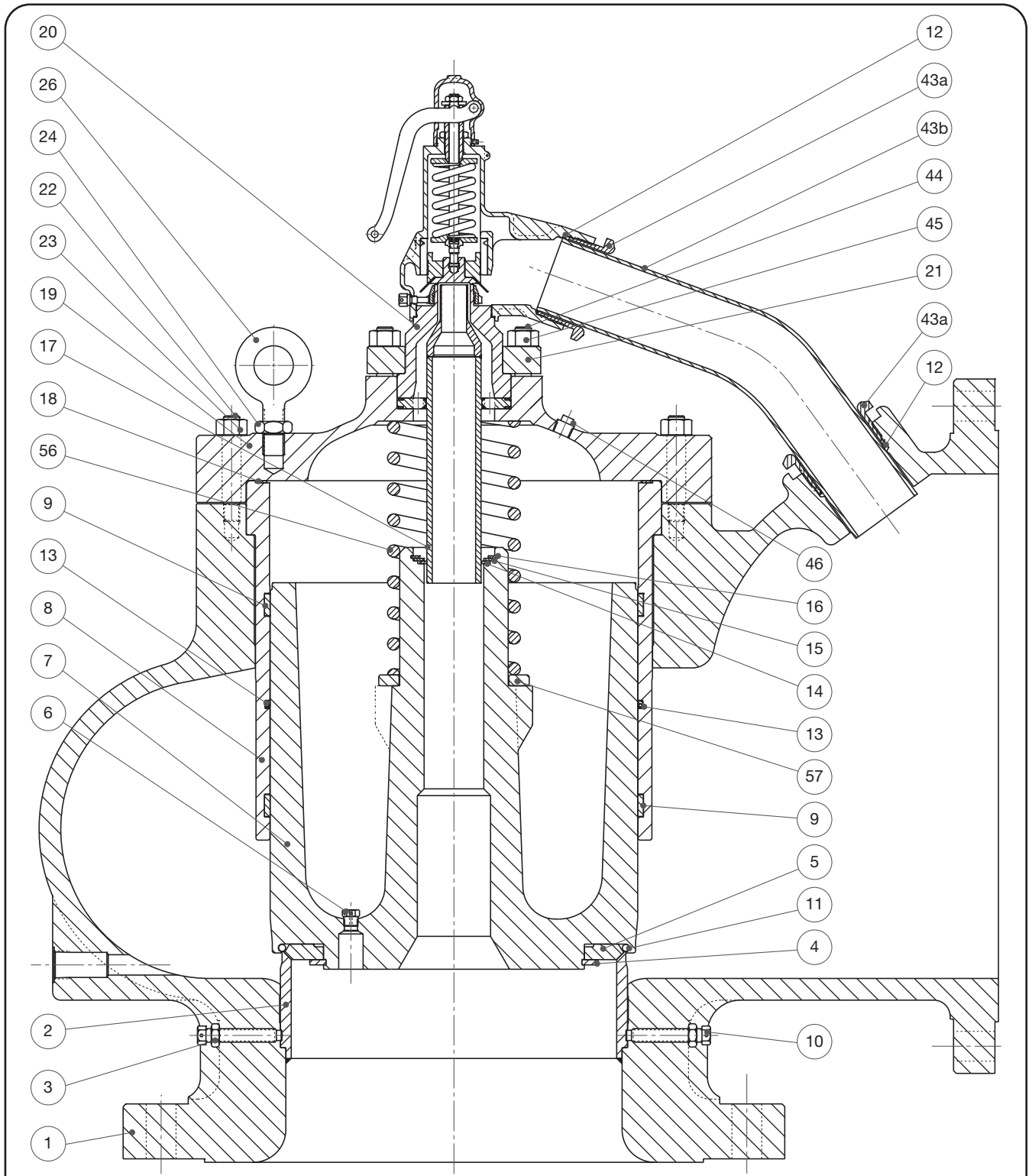


Figure 1: Main Valve Assembly

IX. Consolidated 13900 Series POSRV (Contd.)

Ref. No.	Nomenclature	Ref. No.	Nomenclature
1	Main Base	31	Spindle Assembly
2	Seat Bushing	31a	Spindle
3	Seat Bushing Retainer Screw Jam Nut	31b	Spindle Collar
4	Retainer Lock Ring	32	Top Spring Washer
5	O-Ring Retainer	33	Lever
6	Disc Drain Plug	34	Compression Screw Lock Nut
7	Main Disc	35	Release Nut
8	Main Guide	36	Release Lock Nut
9	Back-up Ring	37	Cap
10	Seat Bushing Retainer Screw	38	Lever Pin
11	O-Ring Seat Seal	39	Cap Lock Screw
12	Discharge Tube Fitting Seal	40	Compression Screw
13	Guide Seal	41	Spring
14	Floating Washer	42	Pilot Disc Assembly
15	Floating Washer Retainer	42a	Disc
16	Floating Washer Retainer Lock Ring	42b	Disc Holder
17	Sensing Tube Assembly	42c	Disc Collar
17a	Upper Tube	42d	Retainer Ring
17b	Lower Tube	43	Discharge Tube Assembly
17c	Tube Flange	43a	Fitting
18	Bonnet Gasket	43b	Discharge Tube
19	Bonnet	44	Bonnet Studs
20	Pilot Base	45	Bonnet Stud Nuts
21	Pilot Base Flange	46	Main Bonnet Plug
22	Base Studs	47	Main Base Nameplate (Not Shown)
23	Base Stud Nuts	48	Pilot Base Nameplate (Not Shown)
24	Eye Bolt Lock Nut	49	Main Base Drain Plug (Not Shown)
25	Pilot Bonnet Gasket	50	Main Base Nameplate Screws (Not Shown)
26	Eye Bolt	51	Pilot Base Nameplate Screws (Not Shown)
27	Adjusting Ring Pin	52	Sensing Tube Flange Gasket
28	Adjusting Ring	53	Adjusting Ring Pin Gasket
29	Pilot Bonnet Assembly	54	Seal (Not Shown)
29a	Bonnet	55	Seal Wire (Not Shown)
29b	Guide	56	Disc Spring (Main Valve)
29c	Pin	57	Disc Spring Ring
30	Bottom Spring Washer		

IX. Consolidated 13900 Series POSRV (Contd.)

B. Pilot Valve

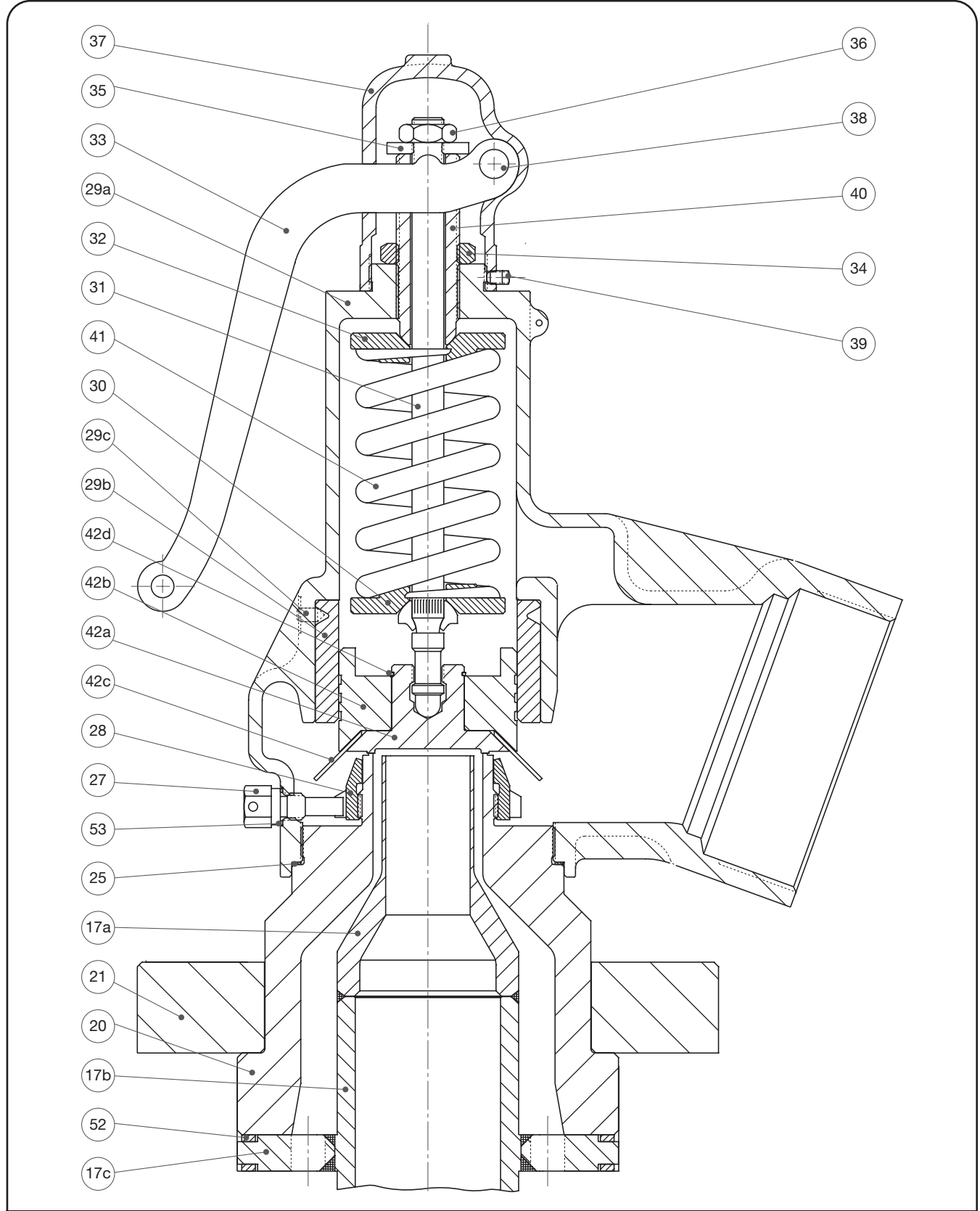


Figure 2: Pilot Valve Assembly

X. Operating Principles

Inlet pressure, identified as P_1 , enters the main valve at "A", flows through the sensing tube "B" and through the clearance formed by the sensing tube and the floating washer on the main valve disc to pressurize chamber "C". Additional flow occurs between the top of the sensing tube and the pilot disc, down into chamber "C" through an annular region formed by the sensing tube and pilot base. Pressure in chamber "C" will now be designated P_2 .

When the set pressure is reached and the pilot opens, pressure is exhausted through tube "D" into the main valve outlet "E" or is exhausted directly into the atmosphere depending on if the pilot valve outlet is equipped with a discharge tube. Flow past the pilot seat will allow the P_2 pressure to exhaust and reduce to a value of approximately 58% of P_1 , producing a lifting force on the main disc causing it to open.

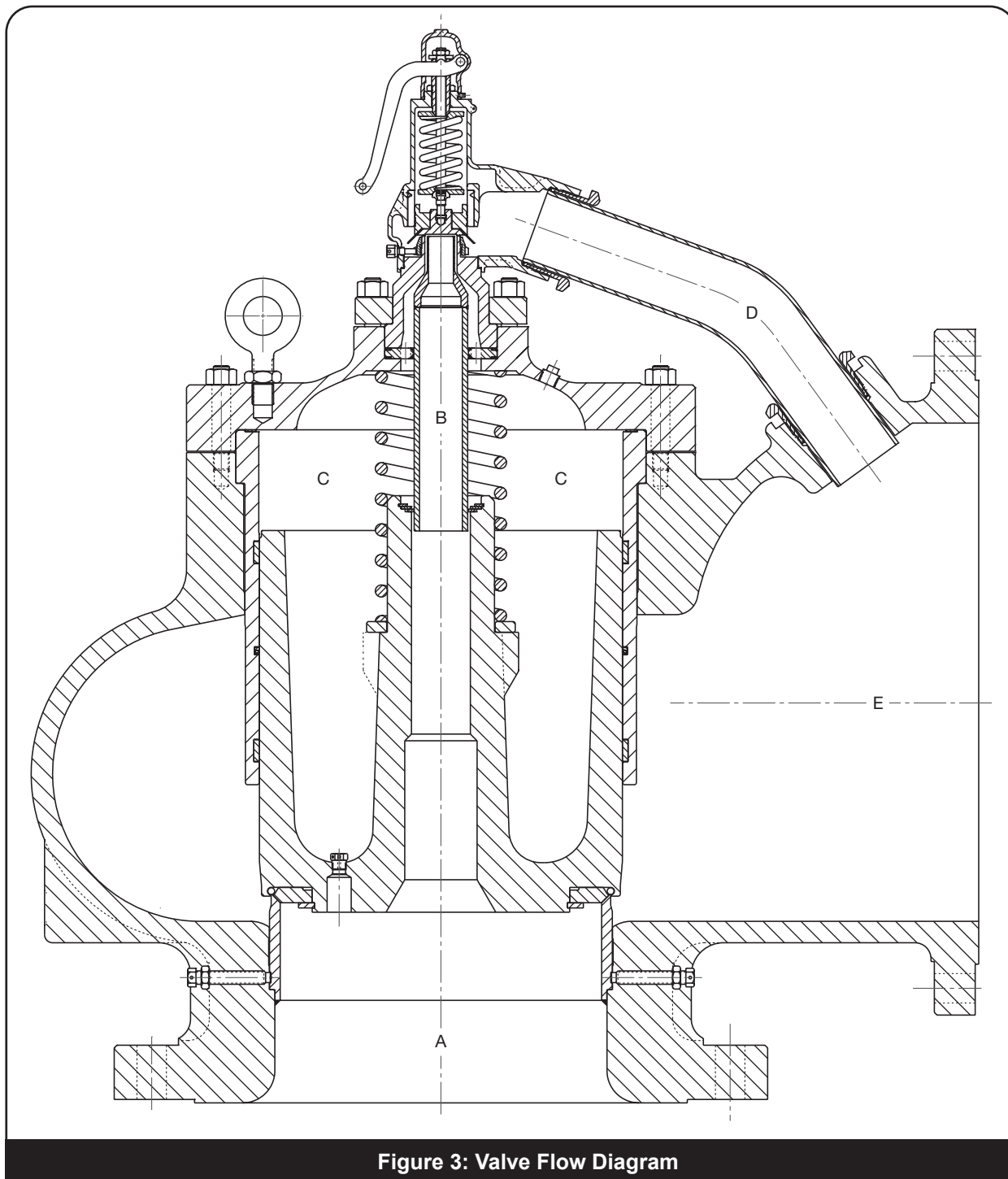


Figure 3: Valve Flow Diagram

X. Operating Principles (Contd.)

Once inlet pressure P_1 has dropped to an appropriate predetermined value, the pilot valve will close and steam will flow into chamber "C" and will immediately repressurize the backside of the main disc, closing the main valve.

The backside of the main valve disc exposed to chamber "C" has a larger area than the main seat producing an additional force on the main seat to maintain tightness.

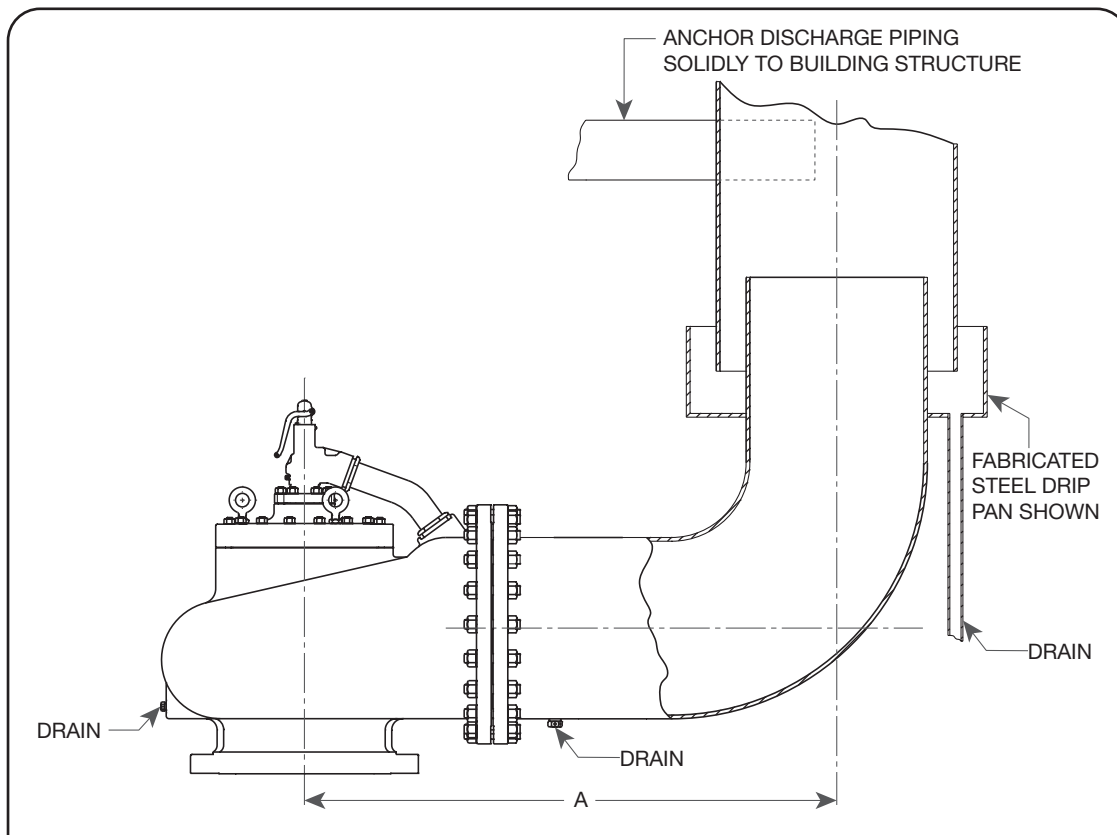


Figure 4: Installation Piping

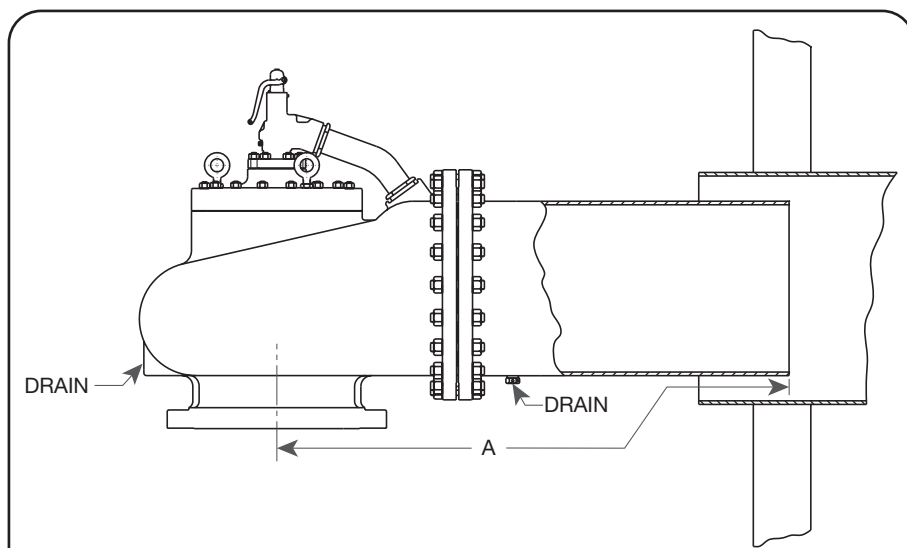


Figure 5: Installation Piping

Table 1: Standard Drip Pan			
Valve Seat Area		Maximum Allowable Span (A)	
in ²	cm ²	in.	m
114	735	45	1.14
143	923	62	1.58
176	1135	55	1.40
200	1290	55	1.40

XI. Recommended Installation Practices

Safety relief valve discharges should be located or piped in such a manner that the discharged fluid is carried clear of man ways. Referring to Figure 4, a drain should be provided at the low point of the discharge elbow where condensate may discharge. An open gravity drain is also supplied on the backside of the valve body casting which is below the level of the valve seat to remove condensate in the body bowl.

Exhaust piping and drain lines must be installed so that they will not impose undue stress on the safety relief valve. Stresses set up in the body from any source may cause distortion and leakage at pressures below the set point. If standard drip pans are used (see Figure 4), sufficient clearance must be provided to allow for movement of the valve due to expansion and contraction of the unit on which it is installed. If blow back around the drip pan occurs, the vent piping is inadequate and its design should be investigated.

If the valves are to exhaust through horizontal piping then the distance from the valve center line to the end of the horizontal pipe must not exceed the dimension shown in Table 1.

If discharge piping is required beyond the length limit specified in Table 1, then a length of larger diameter piping should be allowed for the expansion and contraction of the unit on which the valve is installed. If the larger discharge piping extends through a wall to the outside it must be adequately fastened to the building to prevent breaking free when the valve is blown.

Cold air blowing into the valve body through the discharge pipe can cause the valve to leak. To prevent this from happening the discharge pipe should point downwind. If this is not possible, then a 90° elbow, or a "T", should be installed.

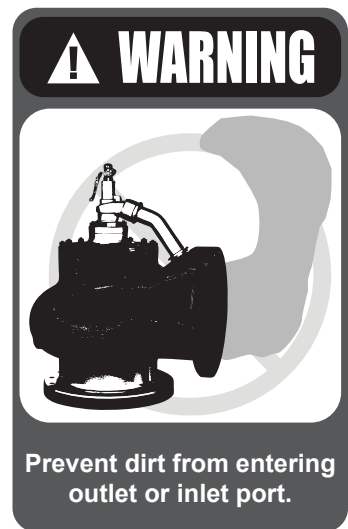
CAUTION
All discharge piping shall have sufficient area to accommodate the full capacity of the safety valve without causing steam to escape backward into the drip pan.

Flexible metal hoses, if used to connect safety relief valve outlets to discharge stacks, must have sufficient length and must be designed and installed in such a manner that they will not become "solid" in any position of the valve. Better results are obtained if the hoses are installed so that they will permit movement by bending rather than by stressing and compressing along their length.

Steam flowing vertically out of the discharge elbow produces a downward reaction on the elbow, depending on the quantity of steam flowing and its velocity. In large, high capacity valves this force can equal several thousand pounds and can produce severe stresses in the valve neck. The bending stresses are determined by the amount of the reactive force, combined with the moment arm or horizontal distance between the vertical centerlines of the outlet elbow and the valve. The pilot operated 13900 Safety Relief Valve is designed so that as long as the moment arm distance from the centerline of the valve to centerline of the vent piping is held within the limits stated in Table 1, neck stresses will be within code allowable values.

When installing the valve, the inlet flange bolts should be pulled down evenly to prevent inlet flange distortion and effect a leak tight flange seal (See Figure 6 and Table 2). For outlet flanges, refer to Figure 7.

It is recommended that the valve be insulated with a minimum of 2" (50.8 mm) insulation.



XI. Recommended Installation Practices (Contd.)

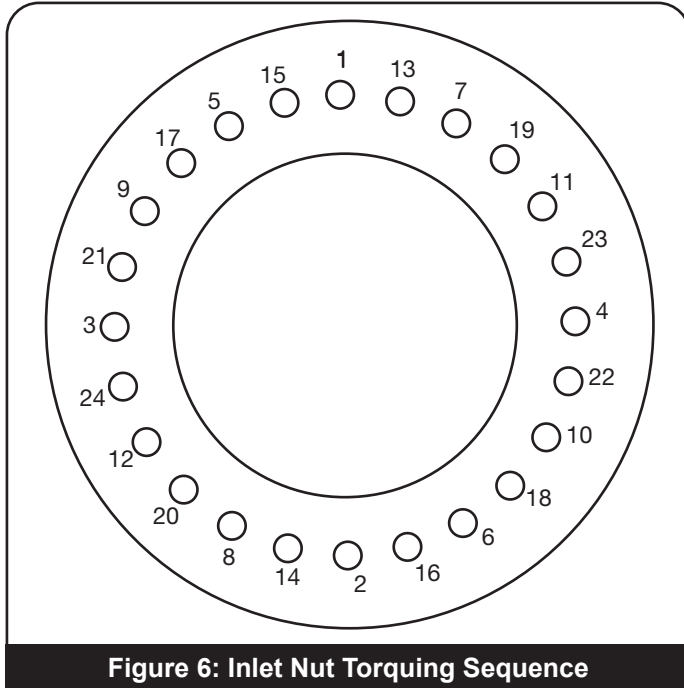


Figure 6: Inlet Nut Torquing Sequence

1. Refer to table for torque value for applicable round.
2. Torque each nut in sequence shown.
3. Repeat for each round.

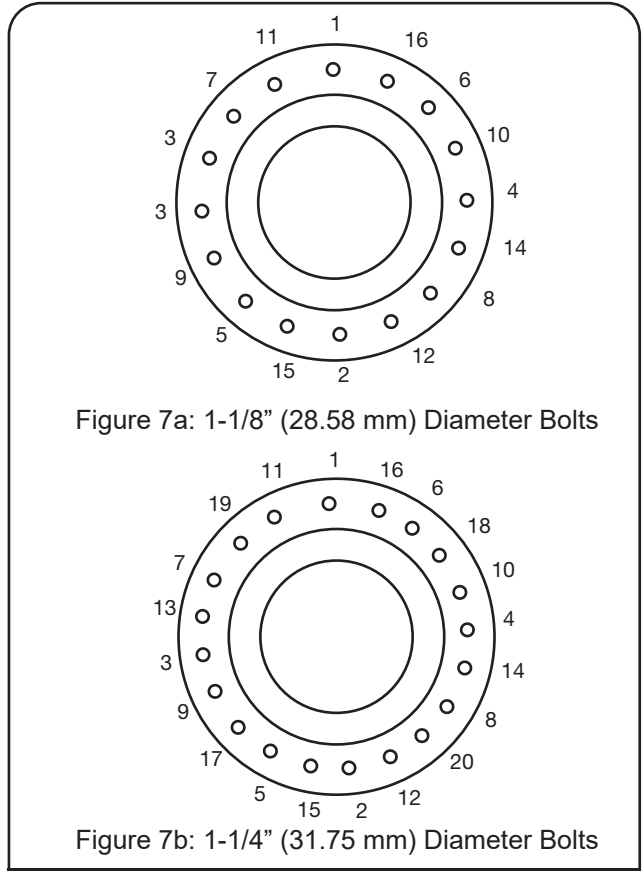


Figure 7a: 1-1/8" (28.58 mm) Diameter Bolts

Figure 7b: 1-1/4" (31.75 mm) Diameter Bolts

Figure 7: Outlet Nut Torquing Sequence

Table 2: Inlet Nut Torque Value				
Flange Class	600 Class Flange		300 Class Flange	
	in ²	cm ²	in ²	cm ²
Area	200	1290	114, 143, 176	735, 923, 1136
Round	Torque +10% / -0%			
	ft-lb	N-m	ft-lb	N-m
1	25	33.9	25	33.9
2	75	101.7	75	101.7
3	150	203.4	150	203.4
4	300	406.7	300	406.7
5	500	677.9	500	677.9
6	800	1084.7	-	-
7	1100	1491.4	-	-

Note: For 150 Class inlets, use bolting torques for 1-1/8" (28.58 mm) diameter bolts and Figure 7a.

Table 3: Outlet Nut Torque				
Bolts Diameter	1-1/8" (28.58 mm) Diameter Bolts		1-1/4" (31.75 mm) Diameter Bolts	
	Torque +10% / -0%			
Round	ft-lb.	N-m	ft-lb.	N-m
1	25	33.9	25	33.9
2	75	101.7	100	135.6
3	150	203.4	300	406.7
4	355	481.3	500	677.9

XII. Disassembly of the 13900 POSRV

A. Disassembly of Pilot from Main Valve

DANGER

Many pressure vessels that are protected by Consolidated Safety Relief Valves contain dangerous materials. Decontaminate and clean the valve inlet and outlet and all external surfaces in accordance with the cleaning and decontaminating recommendations in the appropriate [Material Safety Data Sheet](#).

With reference to Figures 2 and 3 and their Nomenclature, proceed in accordance with the following steps. If a discharge tube is not supplied, omit steps 1 and 2.

1. With an appropriate tool and counterclockwise rotation, remove Tube Fittings (43A) from Main Valve Base (1) and Bonnet (29A)
2. Remove Discharge Tube (43B) from pilot outlet by pushing tube into main valve base.
3. Remove six Bonnet Stud Nuts (45) from Pilot Flange (21) and raise pilot valve and flange from Bonnet Studs (44).
4. Remove pilot valve Base Gasket (52)
5. Remove Sensing Unit (17) and also the Lower Gasket (52)

B. Disassembly of Pilot Valve

Refer to Figure 3 for the following: Remove cotter pin and Lever Pin (38) and Lifting Lever (33). Unscrew the Cap Lockscrew (39) and remove the Cap (37). Remove the Cap Release Nut (35) and Release Locknut (36).

Removing Adjusting Ring Pin (27) and Gasket (53), observing through the outlet of the valve, rotate Adjusting Ring (28) counterclockwise one notch at a time until contact is made with the Disc (42A). Record the number of notches from original position to contact with disc.

Measure the distance from the top of the Compression Screw (40) to the top of the Pilot Bonnet (29A) with a calliper or depth micrometer and record this information to restore compression during assembly. Loosen the Locknut (34) and turn the Compression Screw (40) counterclockwise until compression is removed from spring.

Place the pilot valve with its inlet flange on the main valve Bonnet (19) and secure in place with nuts to prevent the Pilot Base (20) from rotating.

Using a suitable wrench, break loose the pilot bonnet and rotate counterclockwise to remove the bonnet from the pilot base. Lift the pilot bonnet vertically from its base and set aside. Remove the spring assembly, disc assembly, and spindle from pilot base.

Remove Disc Assembly (42A, 42B, 42C, 42D) from the spindle by lifting on the Spindle (31) and engaging the drop out threads in disc. Rotate the spindle counterclockwise until the spindle and disc assembly separate.

C. Pilot Valve Cleaning

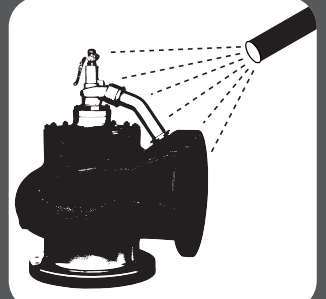
DANGER

Follow recommendations for safe handling in the solvent's [Material Safety Data Sheet](#).

13900 Series Safety Relief Valve internal parts may be cleaned with industrial solvents, cleaning solutions and wire brushes. If you are using cleaning solvents, take precautions to protect yourself from potential danger from breathing fumes, chemical burns, or explosion. See the solvent's [Material Safety Data Sheet](#) for safe handling recommendations and equipment.

It is not recommended to "sand blast" Internal parts as it can reduce the dimensions of the parts. The base, bonnet and cap castings may be sand blasted with care not to erode or damage machined surfaces.

⚠ DANGER



Decontaminate or clean if necessary before pretesting or disassembly. Safety and environmental precautions must be taken for the decontamination or cleaning method used.

⚠ DANGER



Do not remove bolts if pressure in line, as this will result in severe personal injury or death.

⚠ DANGER



Follow recommendations for safe handling in the solvent's [Material Safety Data Sheet](#).

XIII. Inspection and Part Replacement

Reconditioning of the seat surface of the disc and base is accomplished by lapping with a flat cast iron ring lap coated with Grade No. 1000 KWIK-AK-SHUN Silicon-Carbide compound, or equivalent. A 2.125" (54 mm) diameter lap should be used.

To recondition the disc seal by lapping, it is necessary to disassemble the disc assembly. This is done in the following manner: referring to Figure 8 and Table 4, the disc is contained in the disc holder by a Truarc retaining ring. The ring may be removed using a Truarc Plier, Baker Hughes Part No. 5153302, after removing the Truarc ring, the disc collar can be removed from the disc holder.

Lapping a flat seal is simple. No special skill is required and the technique is readily apparent after a few minutes of actual lapping.

The following precautions and hints will enable anyone to do a professional job of lapping seats.

1. Keep the work clean.
2. Always use a fresh lap. If Signs of wearing (out of flatness) are evident, recondition the lap.
3. Apply a very thin layer of compound to the lap. This will prevent rounding off the edges of the seat.
4. Keep the lap squarely on the flat seat and avoid any tendency to rock the lap which will cause rounding of the seat.
5. When lapping, keep a firm grip on the lap to prevent the possibility of dropping it and damaging the seat.
6. Lap, using a reciprocating motion in all directions, at the same time applying light uniform pressure and rotating the lap slowly.
7. Replace the compound frequently after wiping off the old compound, and apply more pressure to speed the cutting action of the compound.
8. To check the seating surfaces, remove all compound from both the seat and the lap. Then shine up the seat with the same lap using the lapping motion described above. Low sections on the seating surface will show up as a shadow in contrast to the shiny portion. If shadows are present, further lapping is necessary, and only laps known to be flat should be used. Only a few minutes will be required to remove the shadows.

9. When the lapping is completed, any lines appearing as cross scratches can be removed by rotating the lap, which has been wiped clean of compound, on the seat about its own axis.
10. The seat should now be thoroughly cleaned with alcohol, using a lint-free cloth or tissue paper.
11. When the seats cannot be repaired by lapping, they can be machined in accordance with the following instructions. Refer to Figures 8 to 11.
 - a) Using a four-jaw chuck, align the disc or base by indicating at A and B. Runout as A or B cannot exceed .001" (0.03 mm).
 - b) Take light cuts across Disc Seat "C" (Figure 10) to remove defects and restore 32 RMS finish. Dimensions F and G must be maintained (Figure 8) and dimension .028" (0.71 mm) must be reestablished. When "M" dimension (Figure 8) has been reduced to .284" (7.21 mm), the disc should be replaced.
 - c) Take light cuts across Pilot Nozzle Seat "C" (Figure 11), to remove defects and restore 32 RMS finish. Dimensions A, B and C must be maintained (Figure 9) and the seat step dimension .028" (0.71 mm) must be reestablished (Figure 9). When "D" dimension is reduced below minimum specified (Figure 10), the base should be replaced.
 - d) Lap the seats. Refer to steps 1 through 10 of "Pilot Valve Seat Repairing and Lapping", which precedes step 11 above.

XIII. Inspection and Part Replacement (Contd.)

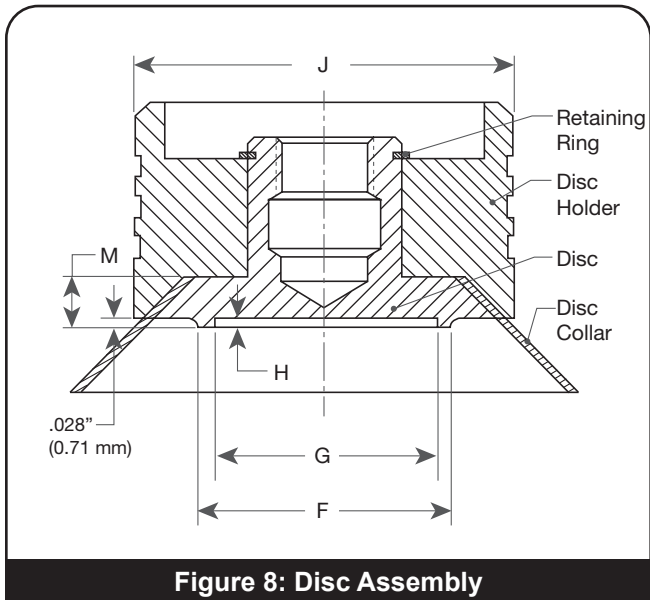


Figure 8: Disc Assembly

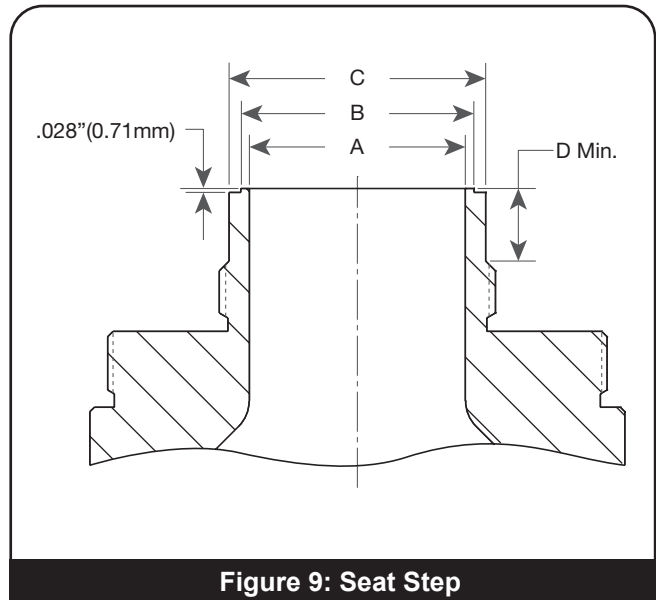


Figure 9: Seat Step

Table 4: 13900 Turbine Reheater Pilot Disc and Base Seat Dimensions

Dimension	in.	mm
A	1.512 ^{+ .001} / _{- .002}	38.40 ^{+ 0.03} / _{- 0.05}
B	1.633 ^{+ .002} / _{- .001}	41.48 ^{+ 0.05} / _{- 0.03}
C	1.796 ± .001	45.62 ± 0.03
D	.484 (min.)	12.29 (min.)
F	1.682 ± .002	42.72 ± 0.05
G	1.465 ± .002	37.21 ± 0.05
H	.062 ± .005	1.57 ± 0.13
J	2.449 (min.)	62.20 (min.)
M	.284 (min.)	7.21 (min.)

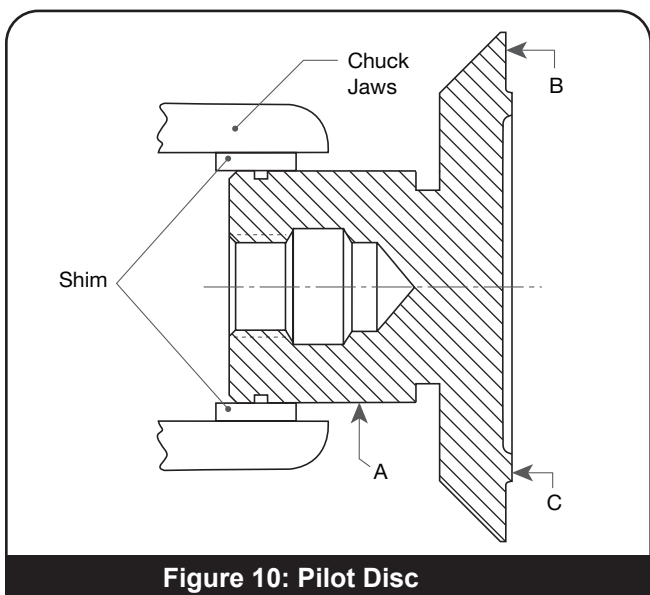


Figure 10: Pilot Disc

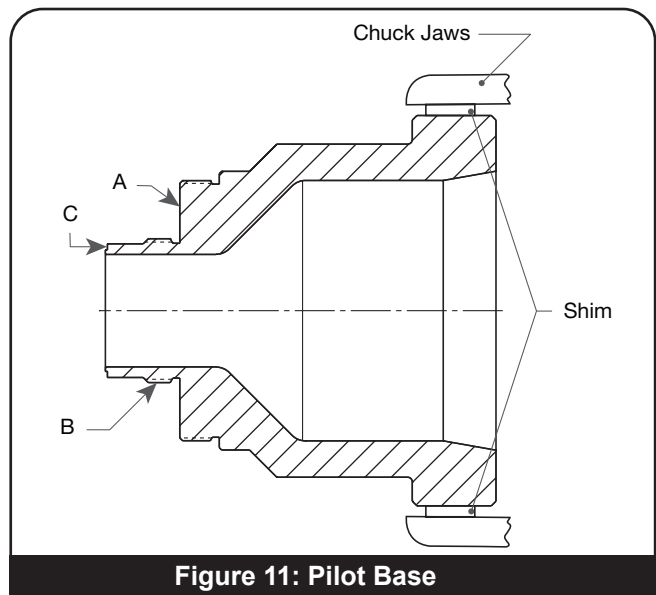


Figure 11: Pilot Base

XIV. Reassembly of Pilot Valve

1. Before reassembly, all parts should be thoroughly cleaned and free from burrs.
2. Reassemble disc assembly as shown in Figure 8.
3. Ensure the Pilot Base Flange (21) is installed on the Pilot Base (20). Place the Pilot Valve Base (20) and Flange (21) over the main valve bonnet studs (44) and secure with Nuts (45).
4. Place a new pilot bonnet to Base Gasket (25) on Base (20).
5. Put a small amount of lubricant¹ on the spindle (31) tip and lower Spring Washer (30) bearing surface of the spindle. Thread the disc on the spindle and assemble the Spring (41) and Spring Washers (30) and (32) on the spindle.
6. Insert the disc, spindle, spring and spring washer assembly into the bonnet.
7. Install the Adjusting Ring (28) on the base (top of adjusting ring flush with seat).
8. Place a small amount of lubricant on the ball end of the Compression Screw (40).
9. Holding the bonnet and spindle (so that disc will not drop), install the bonnet assembly to the pilot base. Care should be taken to prevent the disc seat surface from rotating against base seat surface.
10. Insert the compression screw into the pilot bonnet and rotate clockwise until previously recorded measurement in disassembly procedure is obtained.
11. Reestablish the position of the adjusting ring as follows:
 - a. Using a pointed tool (Baker Hughes Part No. 4215501), turn the adjusting ring to the right slowly, thus raising the ring until it touches the disc.
 - b. Then, counting the notches, turn the adjusting ring to the left, thereby lowering the ring, until the original position recorded in the disassembly procedure is obtained.
 - c. Insert adjusting ring pin and gasket. Tighten securely.
12. Remove pilot valve from main valve bonnet if main valve is to be disassembled.
13. Test pilot valve per instruction outlined under "Testing" before assembly onto main valve.

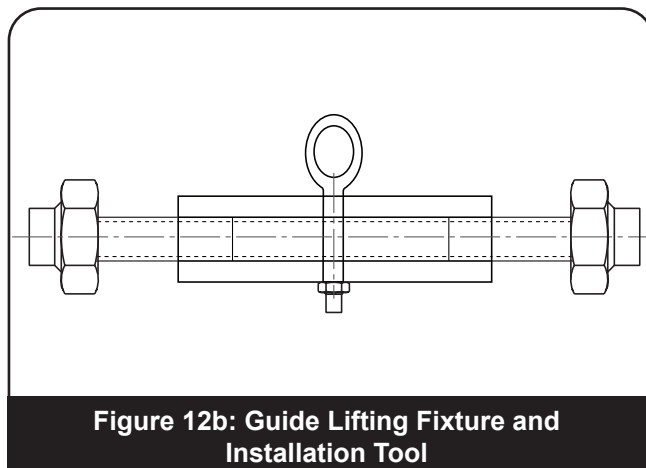
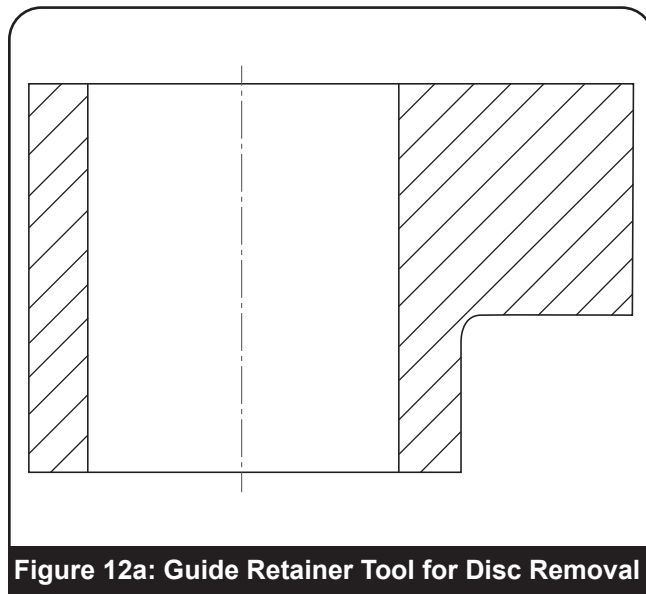
Note: Lubricant should be "Twist" by Century Corp., or equivalent.

XV. Disassembly of Main Valve

A. Disassembly of Main Valve

Refer to Figure 1 for the following:

1. Remove bonnet stud nuts (23) from studs (22).
2. Using a sling through the three eyebolts (26), Lift Bonnet (19) vertically taking care not to bind bonnet against stud bolts.
3. Remove Gasket.
4. Remove the Disc Spring (56) and Disc Spring Ring (57).
5. Fasten down Guide (8) with two Guide Retainer Tools for disc removal, (Figure 12a), held in place with two stud nuts, 180° apart. (Baker Hughes Part No. 4215301). This will hold the guide in place while the disc is removed.
6. Lift the disc vertically out of body.
7. Remove Guide Retainer Tools.
8. To remove the Main Guide (8), first remove the Upper Backing Ring (9) from the guide. Using the tool shown in Figure 12b (Baker Hughes Part No. 4128201), rotate extension rods until tips extend fully into the upper backing ring groove. Each end of the engaging tips should be equally spaced from the center of the lifting eye. The guide can now be lifted out of body.



CAUTION

DO NOT TILT OR FORCE.

9. Remove the Lower Backing Ring (9) and "U" Ring Guide Seal (13) from the grooves in the guide.
10. The Seat Bushing (2) is welded to the Main Base (1). The seat bushing should only be removed if it must be replaced.

XV. Disassembly of Main Valve (Contd.)

B. Main Valve Cleaning

13900 Series Safety Relief Valve internal parts may be cleaned with industrial solvents, cleaning solutions and wire brushes. If you are using cleaning solvents, take precautions to protect yourself from potential danger from breathing fumes, chemical burns or explosion. See the solvent's Material Safety Data Sheet for safe handling recommendations and equipment.

It is not recommended to "sand blast" internal parts as it can reduce the dimensions of the parts. The base, bonnet and cap castings may be sand blasted with care not to erode internal and machined surfaces.

⚠ DANGER



Follow recommendations for safe handling in the solvent's Material Safety Data Sheet.

XVI. Inspection and Part Replacement (Repair of Main Valve Disc)

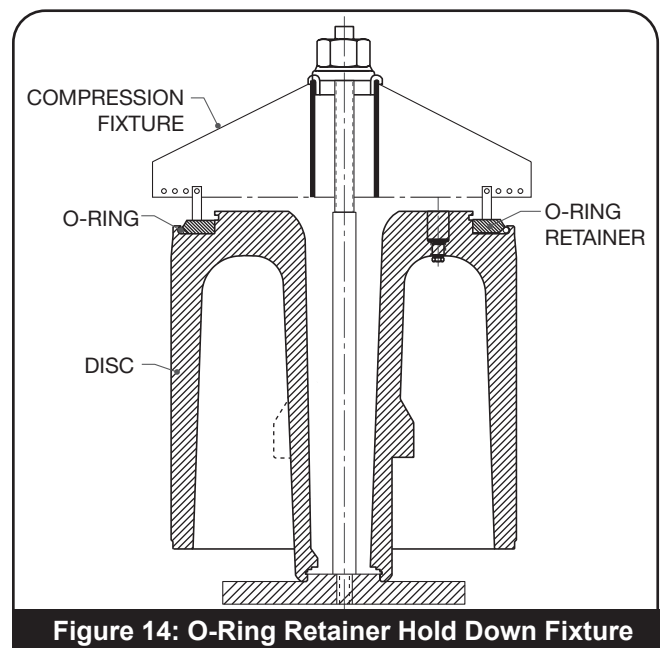
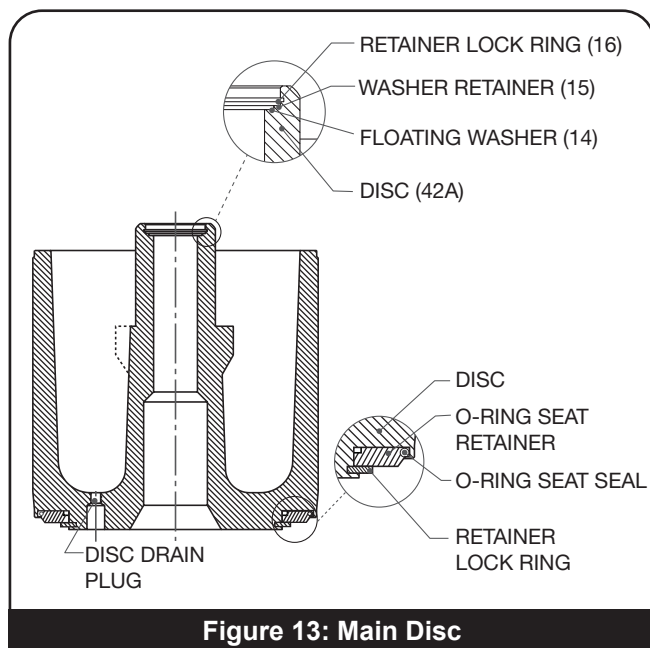
1. When necessary to remove the Floating Washer (14), it is necessary to first remove the Retainer Lock Ring (16), (refer to Figure 13). Truarc Pliers (Baker Hughes Part No. 5153305) can be used to remove the lock ring (16). The other parts, Washer Retainer (15) and Floating Washer (14) can now be removed. Reassemble in reverse order.
2. Whenever Main Valve Disc (7) is removed, the Drilled Drain Plug (6) should be inspected and passages cleaned by the insertion of a wire of sufficient length.
3. To replace the O-Ring Seal Seal (11), or remove the O-Ring Seat Retainer (5), it is necessary to remove the Retainer Lock Ring (4) (Refer to Figure 13). Place the disc on the compression fixture (Baker Hughes Part No. 9336901), (Refer to Figure 14),

and compress the O-Ring seat retainer. Remove the retainer lock ring with Truarc Pliers (Baker Hughes Part No. 5153304).

CAUTION

Extreme care should be extended to prevent the lock ring from slipping off the pliers.

Remove the O-Ring seat retainer and then O-Ring seat seal. To reassemble the seat seal, clean all surfaces thoroughly, install a new O-Ring lubricated lightly with silicone lubricant, replace O-Ring seat retainer and then retainer lock ring. A slight compression on the seat retainer will be required to allow the retainer lock ring to seat properly in the groove.



XVI. Inspection and Part Replacement (MV) (Contd.)

A. Repair of Main Valve Seat

If the seat bushing (2) seating surface must be replaced, the base assembly must be set up on an appropriate machine and the seat recut in accordance with the dimensions given in Figure 15 and Table 5.

When indicated at surfaces X and Y, run out should not be more than .004" (0.10 mm). All recut surfaces should be finished to 63 RMS.

B. Replacement of Seat Bushing

Once dimension "D" minimum has been reached per Table 5, seat bushing is in need of replacement. Contact the factory for seat bushing replacement directions.

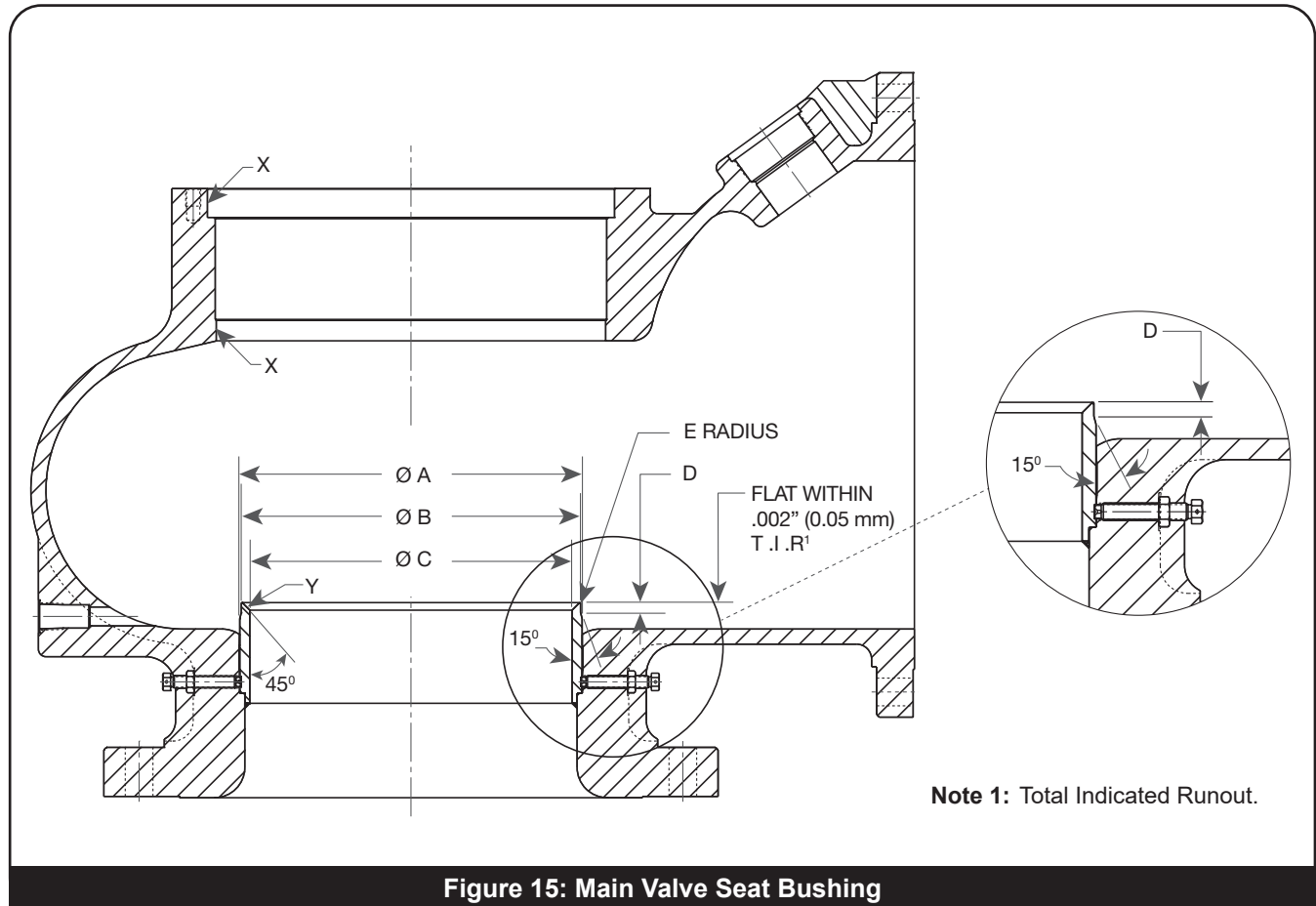


Figure 15: Main Valve Seat Bushing

Table 5: Dimension Chart

Orifice Size		A +.003"/-.004 (+0.08 / -0.10 mm)		B +.003"/-.004 (+0.08 / -0.10 mm)		C ± .005" (± 0.13 mm)		D min.		E Radius	
in ²	cm ²	in.	mm	in.	mm	in.	mm	in.	mm	in.	mm
114	735	12.847	326.31	12.758	324.05	12.055	306.20	.484	12.29	.029	0.74
143	923	14.347	364.41	14.258	362.15	13.505±.002	343.03±0.05	.484	12.29	.029	0.74
176	1135	15.847	402.51	15.758	400.25	15.005	381.13	.484	12.29	.029	0.74
200	1290	16.847	427.91	16.758	425.65	16.005	406.53	.484	12.29	.029	0.74

XVII. Assembly of Main Valve

Before installing any part in the valve it should be thoroughly cleaned and all the mating surfaces inside the valve body inspected and cleaned. All teflon seals, O-Rings and back up rings should be replaced and

lubricated lightly with silicone lubricant. All surfaces which will contact the “U” ring guide seal (13) should also be lubricated.

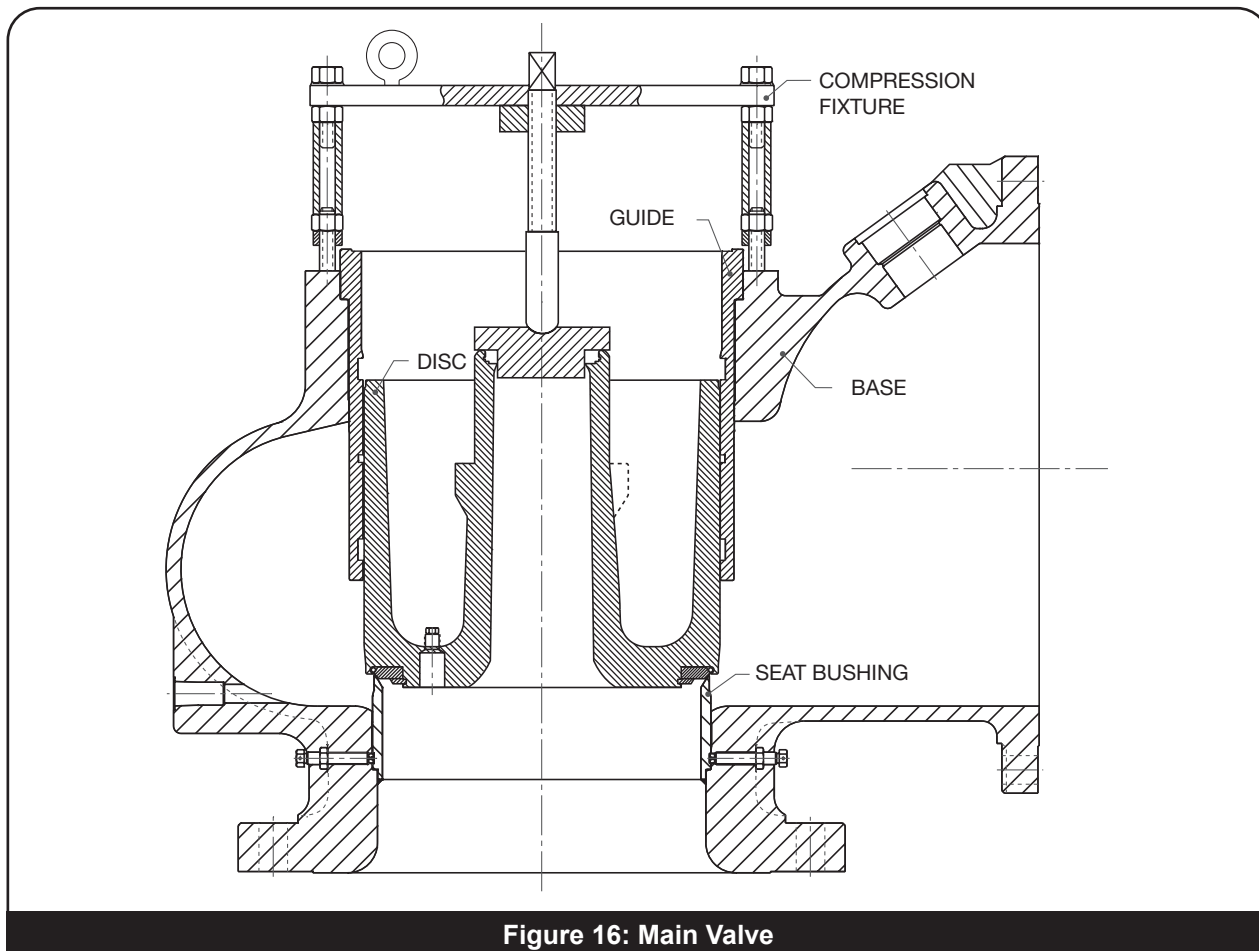


Figure 16: Main Valve

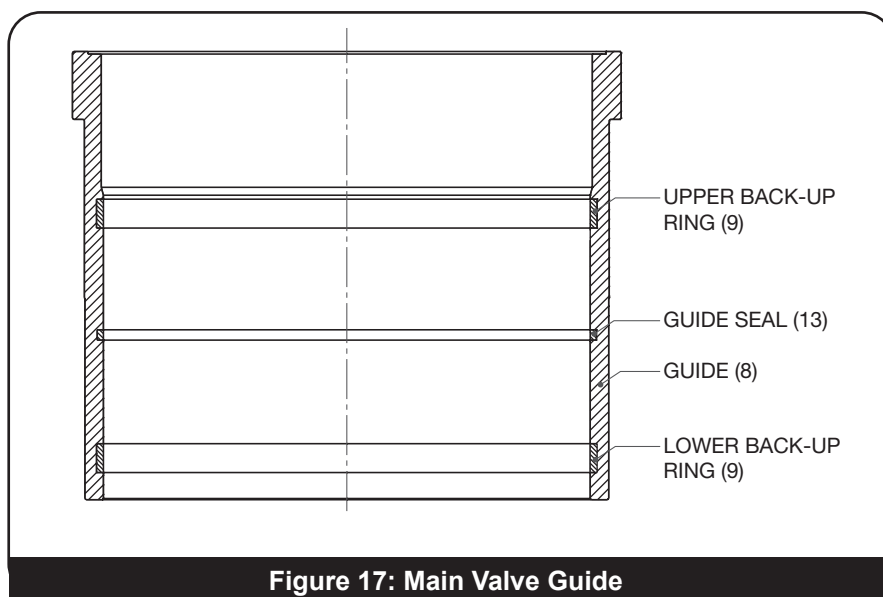


Figure 17: Main Valve Guide

XVII. Assembly of Main Valve (Contd.)

1. Install both the Lower Backing Ring (9), and “U” Ring Guide Seal (13) in the Guide (8) as indicated in Figure 17.

Note: Seal Orientation is the hollow side face upward.

CAUTION

Backing rings must be heated to approximately 130° to properly seat in backing ring groove.

Lubricate the guide lightly with silicone. Install the guide assembly tool, Figure 12b in Section XV, and lower the guide into the valve body until it seats solidly within the body. Remove the assembly tool. Install the Upper Backing Ring (9).

2. Using slings on the Center Post of the Disc (7), lower the disc into the guide. Using the assembly tool shown in Figure 12a in Section XV, force the disc down onto the seat bushing. Remove the tool after the disc is firmly installed.
3. Install the Disc Spring Ring (57) and Spring (56) on the disc.
4. Install a new Gasket (18) in the groove provided on the top of the guide.
5. Using slings through the eyebolts, lower the Main Bonnet (19) onto the base.
6. Install all Stud Nuts (23) and draw down bonnet evenly. Tighten securely all bonnet stud nuts. See Figures 18a and 18b with Table 6 for torque values.

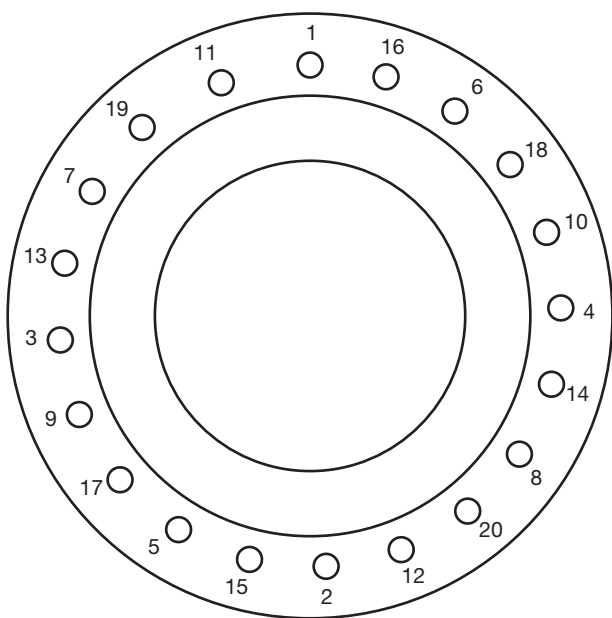


Figure 18a: 20 Bolt Sequence

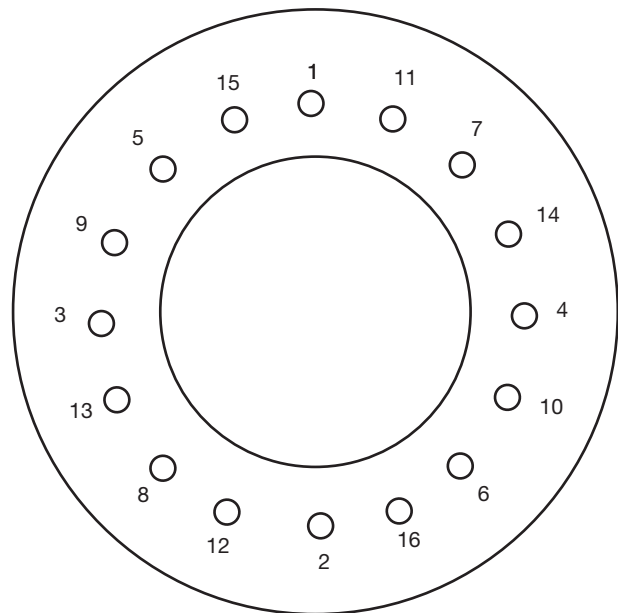


Figure 18b: 16 Bolt Sequence

Figure 18: Bonnet Nuts Tightening Sequences

Procedure:

1. Refer to table for torque valve for applicable round.
2. Torque each nut in sequence shown.
3. Repeat for each round.

Table 6: Required Bonnet Nut Torque							
Stud Size		Torque +10% / -0%					
		Round 1		Round 2		Round 3	
in.	mm	ft-lb.	N-m	ft-lb.	N-m	ft-lb.	N-m
.625	15.88	15	20.3	30	40.7	60	81.3
.750	19.05	25	33.9	50	67.8	110	149.1
1.125	28.58	95	128.8	185	250.8	375	508.4
1.250	31.75	125	169.5	250	339.0	525	711.8

XVII. Assembly of Main Valve (Contd.)

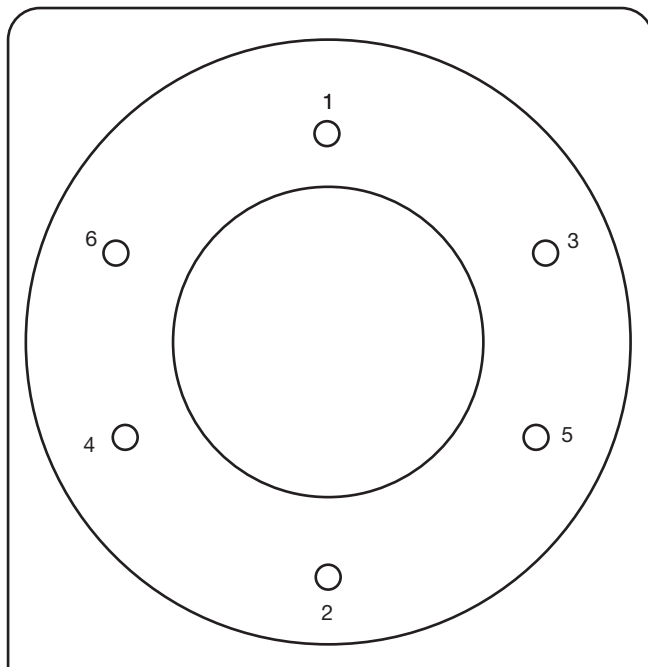


Figure 19: Pilot Flange Nuts Tightening Sequence

Round	Torque +10% / -0%	
	ft-lb	N-m
1	20	27.1
2	40	54.2
3	60	81.3
4	80	108.5
5	110	149.1

XVIII. Assembly of Pilot and Main Valve



1. Before reassembly, all surfaces should be thoroughly cleaned and free from burns.
2. Refer to Figure 1 for proper nomenclature.
3. Install the lower Gasket (52) for sensing tube in the main valve bonnet.
Note: There are two gaskets used to seal this joint. One above and one below the sensing tube flange.
4. Install the Sensing Tube (17) in the main bonnet.
5. Install second Gasket (52) in the groove in the sensing tube flange.
6. Install the pilot Base (20) into the main valve bonnet. The outlet of the pilot should face the outlet of the main valve.
7. Install the pilot flange Stud Nuts (45) and torque down evenly. See Figure 19 and Table 7 for torquing values.
8. Install the fittings on the discharge tube. Also install O-Rings (12) onto the discharge tube.
9. Insert the Discharge Tube (43b) into pilot valve outlet. Loosely tighten the Pilot Valve Tube Fitting (43a).
10. Loosely tighten the main valve boss Tube Fitting (43a).
11. Once alignment of tube is properly adjusted, Tube Fittings (43a) should be securely tightened.

XIX. Testing

1. Due to large capacity of the main valve, it is impossible to adjust the pilot and main valve as an assembly unless on an actual installation. To obtain a valve setting on other than an actual installation, the pilot can be removed from the main valve and adjusted on a small test facility complying with the following requirements. Reference Figures 20 and 21.
 - a. The pressure source or the test header must have a minimum capacity of 6 ft³ (170 m³). Header mounting flange should be 4"-300# (101.6 mm - 20.4 barg) RF ASA flange.
 - b. The test fixture indicated in Figure 20 should be equipped with a 4"-300# (101.6 mm - 20.4 barg) RF ASA flange on the lower end and have appropriate machining and drilling on the top end to match the pilot flange (Baker Hughes Part No. 4130901).
 - c. The test set up should be equipped with P₁ and P₂ pressure gauges as indicated in Figure 20. The P₁ gauge will sense inlet pressure and P₂ will sense pressure equivalent to that back of the main valve disc when the main valve is open.
2. The following procedure should be used for testing the pilot.
 - a. Install pilot valve with sensing unit. Lower flange and upper flange gasket on test fixture.
 - b. Pressurize system and note pop pressure indicated by P₁ gauge. Adjust set pressure by loosening compression screw locknut and rotating compression screw clockwise (increase set point) or counterclockwise (decrease set point) until proper set pressure is established. Tighten compression screw locknut.
 - c. Adjust blowdown by removing adjusting ring pin and rotating adjusting ring clockwise (decrease blowdown) or counterclockwise (increase blowdown) until proper value is established. Blowdown is intentionally set for 10-12% of set pressure at factory before installing on the main valve. Tighten adjusting ring pin.
 - d. Pop pilot five times to ensure accurate settings noting P₂ pressure at each pop. P₂ pressure should drop to approximately 58% of P₁.
 - e. Install lifting lever and cap on pilot. Bring system

pressure up to just below the pilot set point and lift lever on pilot. Note that P₂ does drop to approximately the same value indicated in Step d.

- f. Check pilot for leakage. Bring the inlet pressure of the valve up to 94% of set pressure. Pass a cold rod across the outlet of the pilot. Any moisture occurring on the rod indicates valve leakage.
- g. Test of main valve and pilot assembly:
 - (i) Install pilot back on main valve.
 - (ii) Upon pressurizing the system, leakage around main valve joints is permissible for approximately one hour till the valve is uniformly heated.
 - (iii) Increase system pressure until pilot opens at set point. Continue to overpressure until main valve opens.
 - (iv) Check valve for leakage with system pressure at 90% of set.

CAUTION

Do not expose any part of the human body to the discharge side of either the pilot or main valve. When testing for leakage, stand 90° to the side of the outlet discharge. In this position it is safe to pass a metal rod downward across the outlet.

- h. All external adjustments to the valve should be sealed in accordance with ASME Code Section XIII (UV) requirements.



XIX. Testing (Contd.)

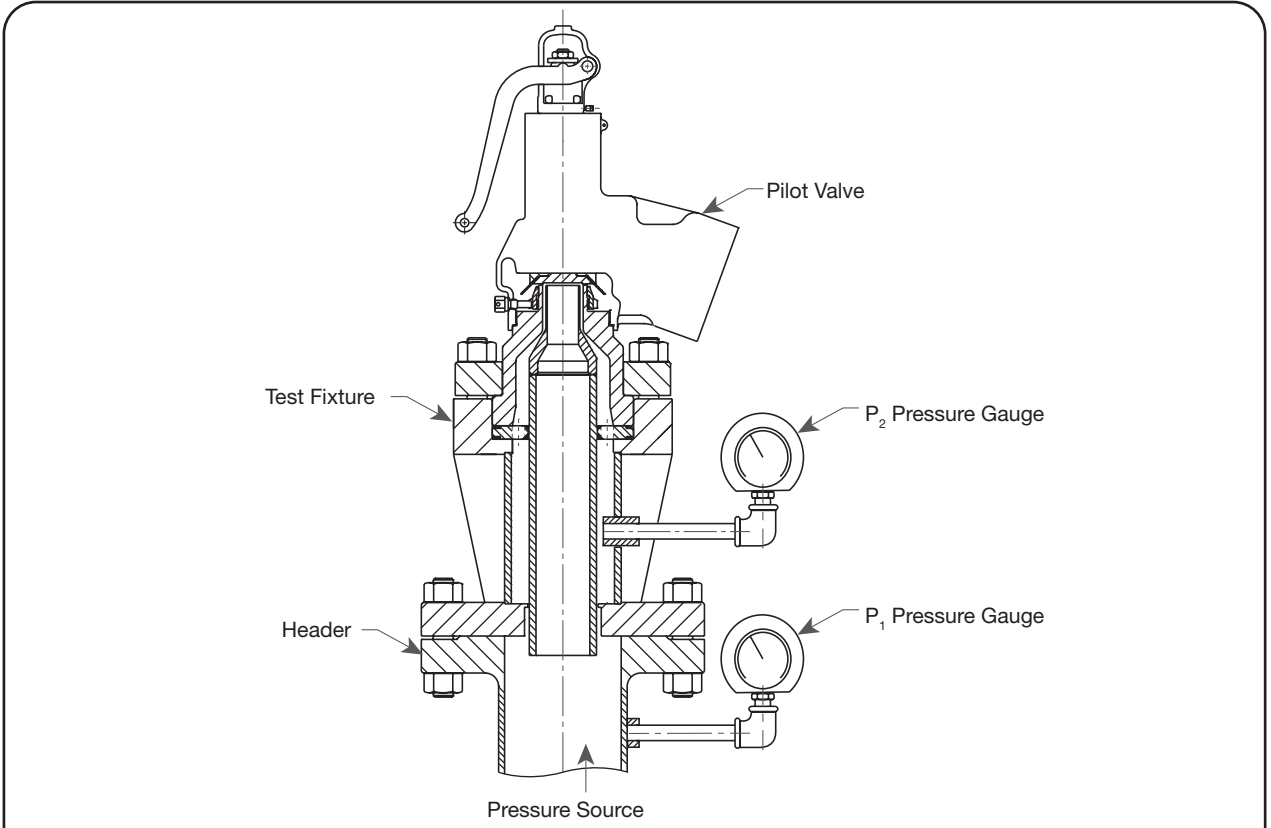


Figure 20: Pilot Testing Fixture

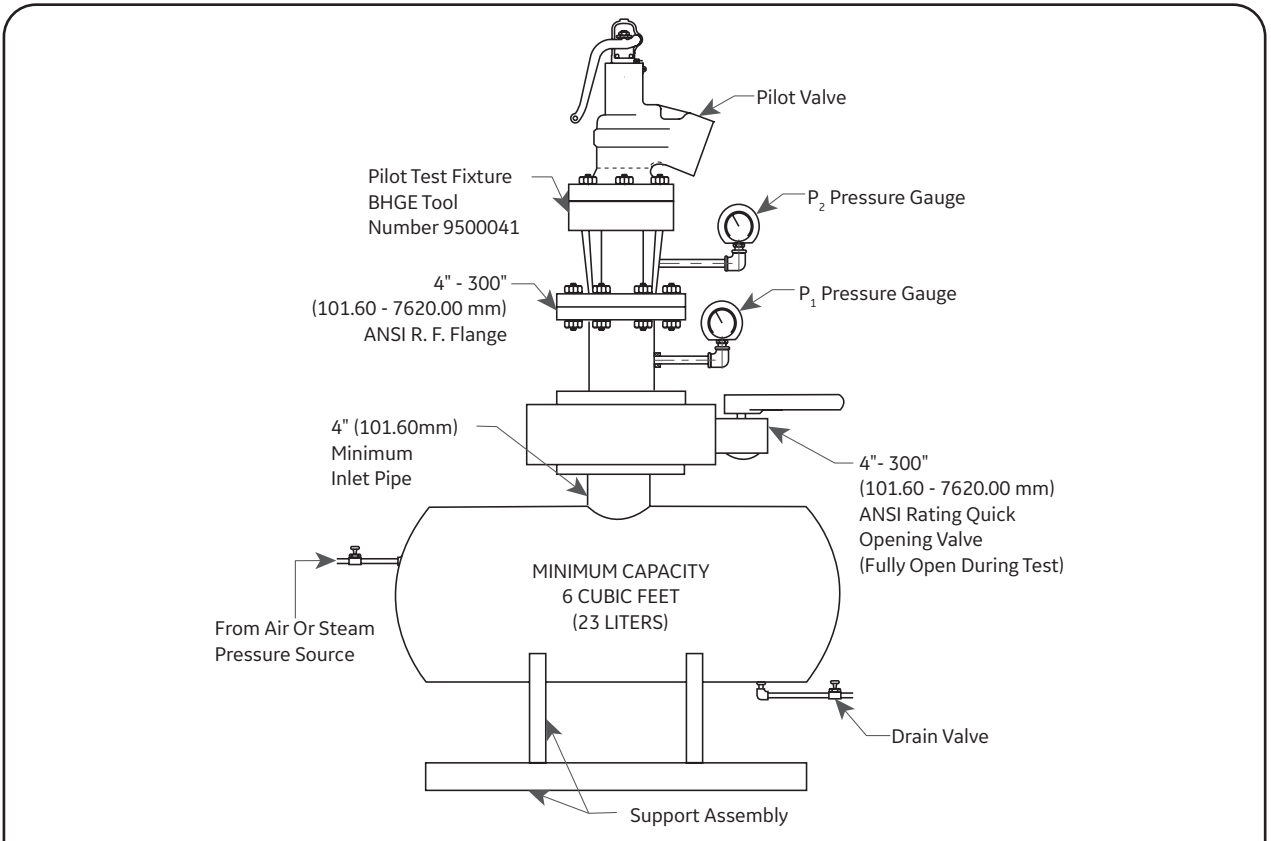


Figure 21: Pilot Test Fixture And Test Stand

XIX. Testing (Contd.)

A. Hydrostatic Testing and Gagging Valves

In the event that it becomes necessary to gag the valves during a hydrostatic test, it will be required to first remove the lifting lever cap arrangement. Referring to Figure 2, remove cotter pin and lever pin (38) and lifting lever (33). Unscrew the cap lock screw (39) and remove the cap (37). Install the gag cap and gag as shown in Figure 22. Gag assemblies can be furnished by Baker Hughes.

Care must be taken to prevent overgagging which will bend the spindle. In applying gags, remember that the valve spring will hold the valve closed against its set pressure. The additional gag load applied should be

only enough to insure that the valves do not lift at the expected overpressure.

Unit pressure should be brought within 80% of the pressure of the low set valve before applying the gags.

Tighten the gag with only a light force applied to the gag bolt.

Upon completion of the hydrostatic test, the valve should be allowed to set up approximately one hour so that liquid back of the main valve disc can drain out completely. Gag and gag cap should be removed and the lever cap, etc., installed in reverse sequence of the disassembly.

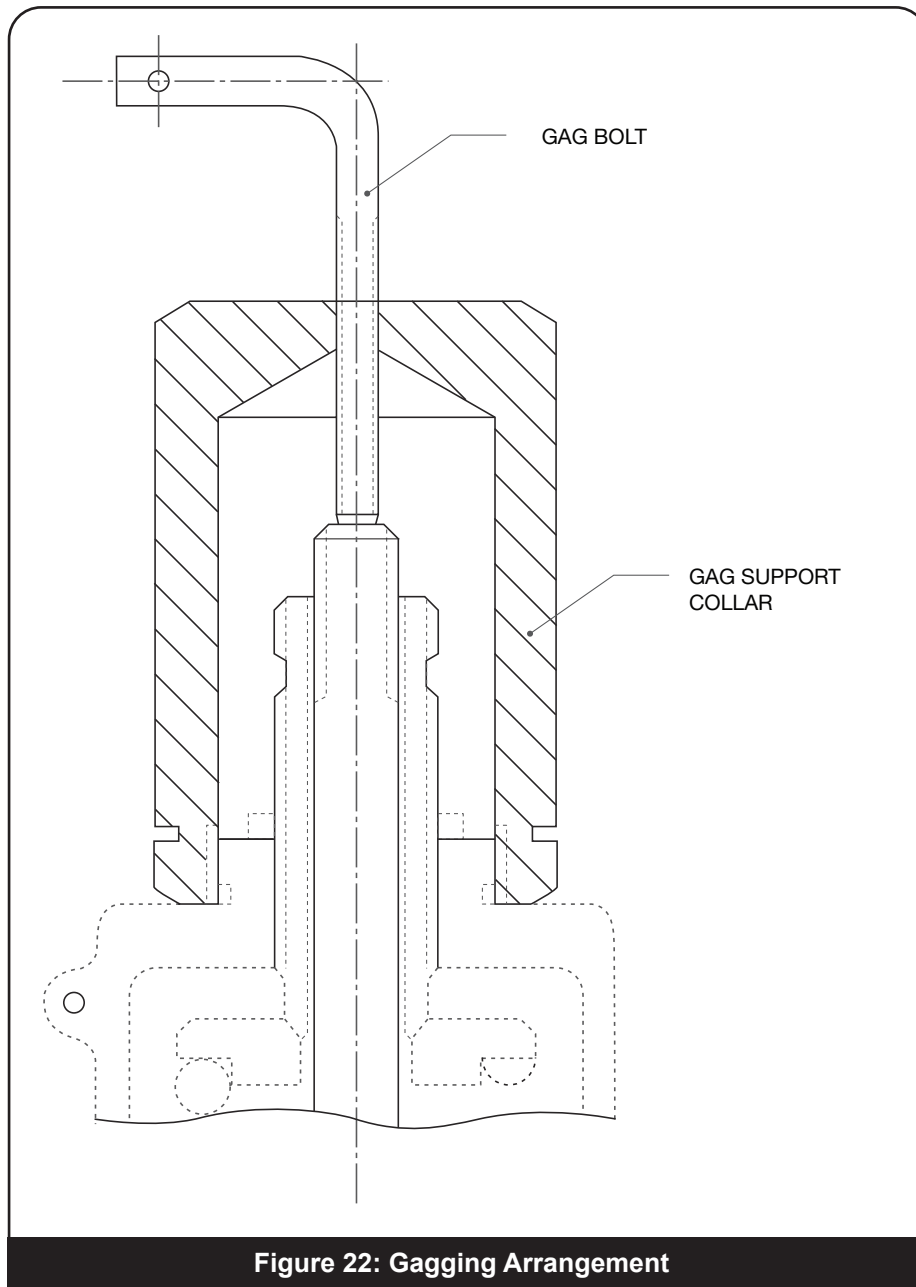


Figure 22: Gagging Arrangement

XX. Maintenance Tools and Supplies

Table 8: Recommended Tooling and Equipment						
No. Req.	Orifice	in ²	114	143	176	200
		cm ²	735	923	1136	1290
	Name of Part	Part Number	Part Number	Part Number	Part Number	Part Number
1	Guide Lifting Fixture	4128201	4128201	4128201	4128201	4128201
1	O-Ring Retainer Fixture	9336901	9336901	9336901	9336901	9336901
1	Disc Installation Fixture	9337001	9337001	9336801	9336801	9336801
1	Pilot Valve Steam Test Fixture	4130901	4130901	4130901	4130901	4130901
1	Adjusting Ring Persuading Tool	4215501	4215501	4215501	4215501	4215501
2	Main Valve Guide Retainer Tool	4215301	4215301	4215301	4215301	4215301
1	Lubricant ¹	5153301	5153301	5153301	5153301	5153301
1	Truarc Pliers (Pilot Disc)	5153302	5153302	5153302	5153302	5153302
1	Truarc Pliers (O-Ring Seat Seal)	5153304	5153304	5153304	5153304	5153304
1	Truarc Pliers (Floating Washer)	5153305	5153305	5153305	5153305	5153305
1	Kwik-Ak-Shun Grinding Compound	199-11	199-11	199-11	199-11	199-11
1	2-1/8 Seat Lap	1672806	1672806	1672806	1672806	1672806
1	1" Thinwall Hex Socket	5153303	5153303	5153303	5153303	5153303

Note 1: Lubricant should be "Twist" by Century Corp. or equivalent.

XXI. Replacement Parts Planning

A. General Information

The importance of maintenance planning is the key to good plant operation. Part of that planning involves making sure that replacement parts needed to repair valves are available at the jobsite when required. Developing and implementing a standard valve maintenance plan will quickly pay for itself by eliminating costly downtime, unscheduled outages, etc.

B. Inventory Planning

The basic objectives in formulating a replacement parts plan are:

- Prompt Availability
- Minimum Downtime
- Sensible Cost
- Source Control

Having parts immediately available from plant storeroom inventory is obviously the best way to accomplish those objectives. Since it is impractical to have every part that might be needed to accomplish a given repair in stock at all times, guidelines for establishing meaningful inventory levels are summarized in the Table 9.

Part Classification	Replacement Frequency	Predicted Availability ¹
Class I	Most Frequent	70%
Class II	Less Frequent But Critical	85%
Class III	Seldom Replaced	95%
Class IV	Hardware	99%
Class V	Practically Never Replaced	100%

Note 1: Predicted availability means that percentage of time the user plant will have the right parts to make the proper repair on the product, (i.e., if CLASS I parts are stocked at the owners facility, the parts needed to repair valve in question will be immediately available in 70% of all instances).

XXII. Genuine Consolidated Parts

Each time replacement parts are needed, keep these points in mind:

- Baker Hughes designed the parts.
- Baker Hughes guarantees the parts.

C. Replacement Parts List

Consult the Recommended Spare Parts list (see Section XXIII of this manual) to determine the parts to be included in the inventory plan.

Select the desired parts and determine those required for proper maintenance of the valve population in the plant.

D. Identification and Ordering Essentials

When ordering service parts, please furnish the following information to insure receiving the correct replacement parts:

1. Identify valve by the following nameplate data:
 - a. Size
 - b. Type
 - c. Temperature Class
 - d. Serial Number

Example:

16" 13906/114-2

SIN TC-56788

2. Specify parts required by:
 - a. Part Name
 - b. Part Number (if known)
 - c. Quantity

- Consolidated valve products have been in service since 1879.
- Baker Hughes has worldwide service.
- Baker Hughes has fast response availability for parts.

XXIII. Recommended Spare Parts

Table 10: Recommended Spare Parts For Series 13900-3 Safety Relief Valve			
Class	Part Name	Quantity Parts / Same Size, Type, Set Pressure and Temperature Class Valves in Service	Need Probability Coverage
I	Main Valve		70%
	Seat Seal	1/1	
	Guide Seal (1)	1/1	
	Back-Up Ring (2)	2/1	
	Bonnet Gasket (1)	1/1	
	Sensing Tube Flange Gasket (2)	2/1	
	Fitting Seal (2)	2/1	
	Disc Retainer (1)	1/3	
	Retainer Lock Ring (1)	1/3	
	Pilot Valve		
	Alternate A (See Note 1)		
	Complete Spare Pilot Valve	1/1	
	Alternate B (See Note 2)		
	Disc	1/1	
	Disc Retainer Ring	1/1	
	Adj. Ring Pin	1/1	
	Bonnet Gasket	1/1	
Adj. Ring Pin Gasket	1/1		
Seal	1/1		
Sealing Wire	1/1		
II	Main Valve		85%
	Floating Washer	1/3	
	Floating Washer Retainer	1/3	
	Floating Washer Retainer Lock Ring	1/3	
	Pilot Valve (If Alternate B used for Class I)		
	Guide	1/6	
	Guide Pin	1/6	
	Spindle Assembly	1/6	
Disc Holder	1/6		
Disc Collar	1/6		
III	Main Valve		95%
	Disc Spring	1/6	
	Disc Spring Ring	1/6	
	Pilot Valve (If Alternate B used for Class I)		
	Base	1/6	
	Adj. Ring	1/6	
	Spring	1/6	
	Spring Washer (Bottom)	1/6	
	Spring Washer (Top)	1/6	
Compression Screw	1/6		

Note 1: Alternate A: If an auxiliary boiler is not available at the installation site for testing the pilot valve on steam at set pressure, it is recommended that spare pilot valves, which have been tested on steam be stocked in 1/1 ratio.

Note 2: Alternate B: If an adequate auxiliary boiler is available, stocking replacement parts for the pilot valves are recommended as the most economical approach.

XXIII. Recommended Spare Parts (Contd.)

Table 10: Recommended Spare Parts For Series 13900-3 Safety Relief Valve (Contd.)

Class	Part Name	Quantity Parts / Same Size, Type, Set Pressure and Temperature Class Valves in Service	Need Probability Coverage		
IV	Main Valve		99%		
	Disc Drain Plug	1/3			
	Base Studs	1 Set/6			
	114 in ² (16)				
	143 in ² (20)				
	176 in ² (20)				
	200 in ² (20)				
	Base Stud Nuts				
	114 in ² (16)				
	143 in ² (20)				
	176 in ² (20)				
	200 in ² (20)				
	Eye Bolts (3)	1 Set/6			
	Eye Bolt Lock Nuts (3)	1 Set/6			
Bonnet Stud Nuts (6)	1 Set/6				
Main Bonnet Plug	1/3				
IV	Pilot Valve (If Alternate B used for Class I)		99%		
	Cap	1/6			
	Lever	1/6			
	Lever Pin	1/6			
	Cap Lock Screw	1/6			
	Release Nut	1/6			
	Release Lock Nut	1/6			
	Compression Screw Lock Nut	1/6			
V	Main Valve		Not Applicable		
	Base	None			
	Disc	None			
	Guide	None			
	Bonnet	None			
	Discharge Tube Assembly	None			
	Nameplate	None			
	Nameplate Screws	None			
	Drain Plug	None			
	V	Pilot Valve (If Alternate B used for Class I)			Not Applicable
		Sensing Tube Assembly		None	
		Base Flange		None	
		Bonnet		None	
		Nameplate		None	
Nameplate Screws		None			

Note 1: Alternate A: If an auxiliary boiler is not available at the installation site for testing the pilot valve on steam at set pressure, it is recommended that spare pilot valves, which have been tested on steam be stocked in a 1/1 ratio.

Note 2: Alternate B: If an adequate auxiliary boiler is available, stocking replacement parts for the pilot valves are recommended as the most economical approach.

XXIV. Manufacturer's Field Service, Repair and Training Programs

A. Field Service

Baker Hughes maintains the largest and most competent field service staff in the industry. Service technicians are located at strategic points throughout the United States to respond to customers' requirements for service. Each Service technician is factory trained and long experienced in servicing safety valves. Baker Hughes's Service technicians restore disc and seat bushing critical dimensions which affect valve performance, and are capable of modernizing valves in the field.

It is highly recommended that the professional talents of a Baker Hughes Field Service technician be employed to make final field adjustments during the initial setting of all Consolidated Safety Valves.

B. Factory Repair Facilities

Baker Hughes's Consolidated factory maintains a Repair Center. The Repair Department, in conjunction with the manufacturing facilities, is equipped to perform specialized repairs and product modifications, e.g., butt-welding, bushing replacements, code welding, and pilot replacement.

C. Maintenance Training

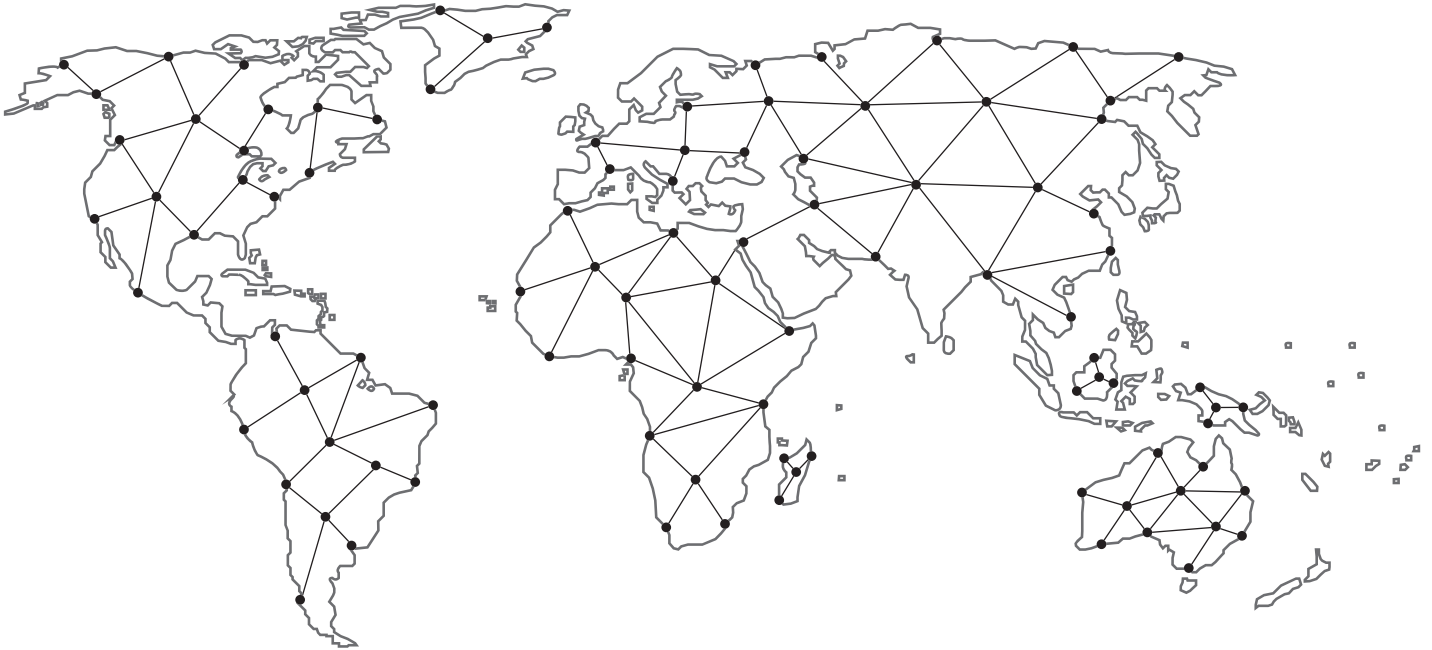
The rising costs of maintenance and repair in the utility and process industries indicate the need for trained maintenance personnel. Baker Hughes conducts service seminars that help your maintenance and engineering personnel reduce these costs.

Seminars, conducted either at your site or ours, provide participants with an introduction to the basics of preventative maintenance necessary to minimize downtime, reduce unplanned repairs, and increase valve safety. While these seminars do not create "instant experts," they do provide the participants with hands-on experience with Consolidated valves. The seminar also includes valve terminology and nomenclature, component inspection, troubleshooting, setting, and testing with emphasis on the ASME Boiler and Pressure Vessel Code.

For further information, please contact your local Green Tag Center.

Find the nearest local Channel Partner in your area:

valves.bakerhughes.com/contact-us



Tech Field Support & Warranty:

Phone: +1-866-827-5378

valvesupport@bakerhughes.com

valves.bakerhughes.com

valves.bakerhughes.com

Copyright 2022 Baker Hughes Company. All rights reserved. Baker Hughes provides this information on an "as is" basis for general information purposes. Baker Hughes does not make any representation as to the accuracy or completeness of the information and makes no warranties of any kind, specific, implied or oral, to the fullest extent permissible by law, including those of merchantability and fitness for a particular purpose or use. Baker Hughes hereby disclaims any and all liability for any direct, indirect, consequential or special damages, claims for lost profits, or third party claims arising from the use of the information, whether a claim is asserted in contract, tort, or otherwise. Baker Hughes reserves the right to make changes in specifications and features shown herein, or discontinue the product described at any time without notice or obligation. Contact your Baker Hughes representative for the most current information. The Baker Hughes logo, Consolidated, and Green Tag, are trademarks of Baker Hughes Company. Other company names and product names used in this document are the registered trademarks or trademarks of their respective owners.

Baker Hughes 

bakerhughes.com