

Mounting the Aurora Rack Mount Configuration

IMPORTANT: The Aurora rack mount configuration is not suitable for use in hazardous areas.

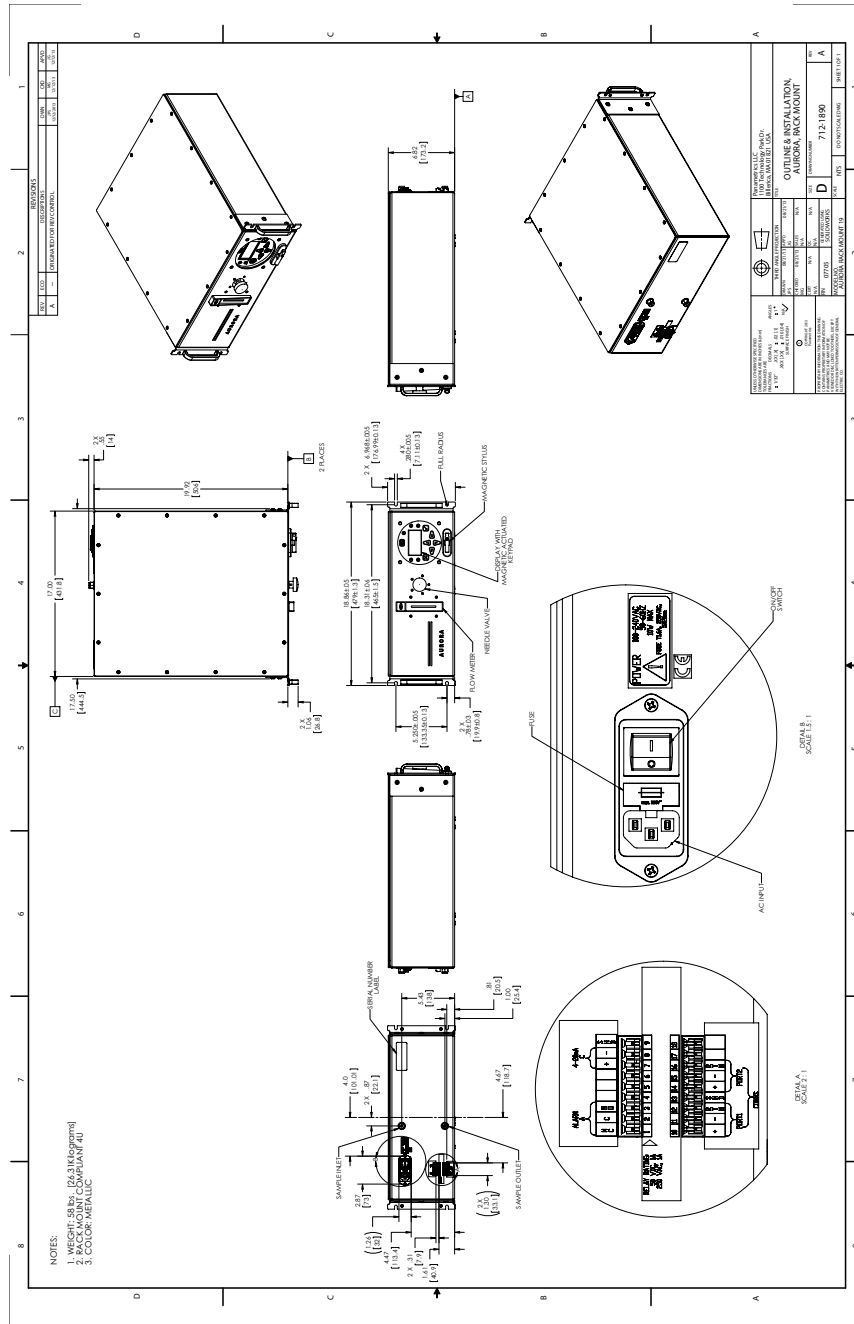


Figure 1: Aurora Drawing for Rack Mounting (Dwg. 712-1890, rev. A)

1. Pre-wire the output connectors in accordance with wiring drawing.
2. Use approved AC input power cord provided.
3. Sample inlet/outlet connections to be sure they are leak free.
4. For additional support use a Rack Rail Kit as shown below or equivalent.

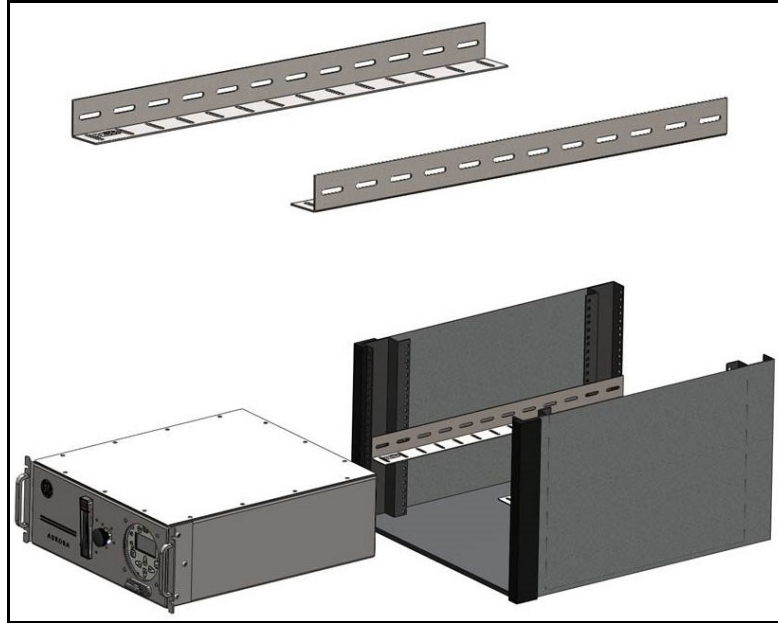


Figure 2: Standard Rack Mount Rail Kit

5. Install 4 fasteners (12-24 or 10-32 threaded fasteners) to retain the rack mount.

Wiring the Aurora Rack Mount Configuration

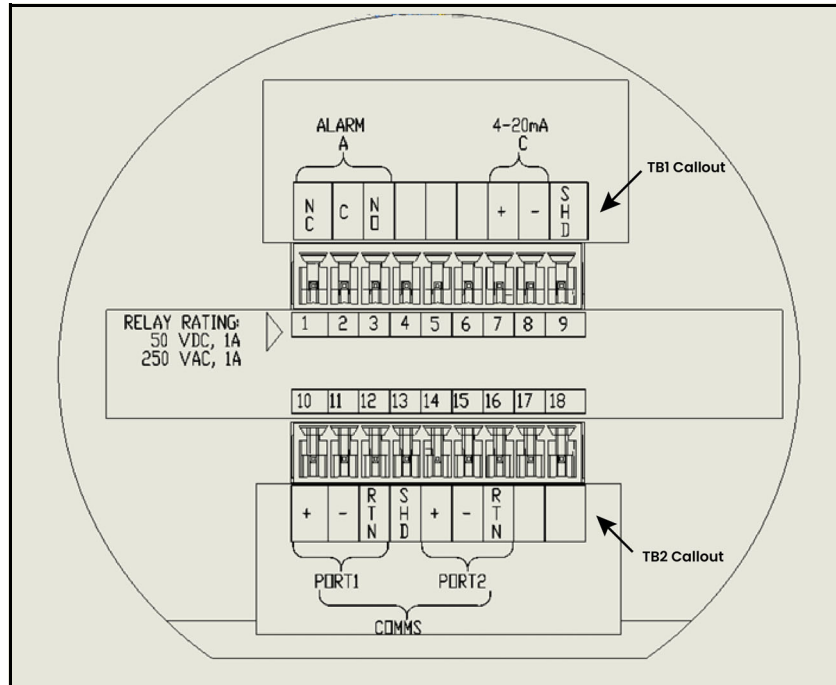


Figure 3: Wiring Diagram

TB1 contains connections for the alarm relay and 4-20mA analog output 'C' and the Alarm relay contacts. NC is Normally closed contact, C is Common, and NO is normally open contact.

Use shielded 18 – 22 AWG (0.82-0.33 mm²) twisted pair wire for all I/O connections.

TB2 contains PORT1 and PORT 2 designated SCADA and Service respectively. Either port may be configured for RS232 or RS485.

To ensure compliance to EN requirements, a shielded cable is required for these connections and the shield must be terminated to the SHD terminal. Also, a ferrite cable clamp will need to be added close to the I/O connector. The ferrite cable clamp should have the characteristics shown in Table 1 below:

Table 1: Typical Cable Clamp Impedance (Ω)

10 MHz	77
25 MHz+	125
100 MHz+	210
250 MHz	260

A typical cable clamp is shown in Figure 4 below.

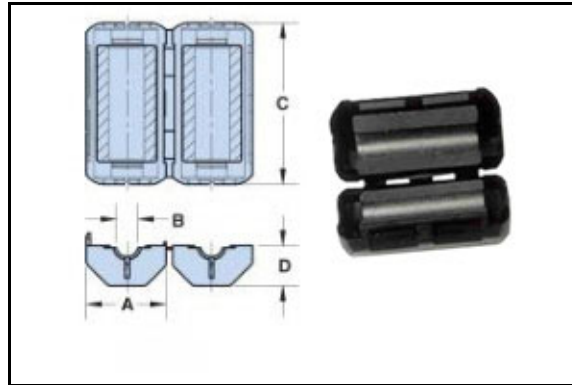


Figure 4: Cable Clamp

For operation on RS-485, 2-wire, half-duplex bus, attach the RS485(+) to (+) and the RS485(-) to (-). If available, make a third connection to the RS-485 network common to RTN. Connect shield wire from the cable to SHD terminal.

For operation on RS-232, connect RS232 (TXD) to (+), RS232(RXD) to (-), and RS-232 (GND) to RTN. Connect cable shield wire to SHD terminal.

For connection to a PC interface with Auroraview software, you may use the supplied 704-668-12 cable (RS-232) w/SUB-D-9 connector to the tinned leads. (There is also a detachable AC power cord on the back panel.)

Wire the cable as follows in Table 2 below.

Table 2: Wiring Table

Color code	Aurora Terminal	
	(Port 1 Pin)	(Port 2 Pin)
White	TX	+ (10) (14)
Red	RX	- (11) (15)
Green	Return	RTN (12) (16)
Black	Shield	SHD (13) (13)

Note: The default configuration is as shipped:

Table 3: Default Configuration

BAUD Rate:	115,200
Parity:	Even
ID Note:	1 for Port 1, 2 for Port 2

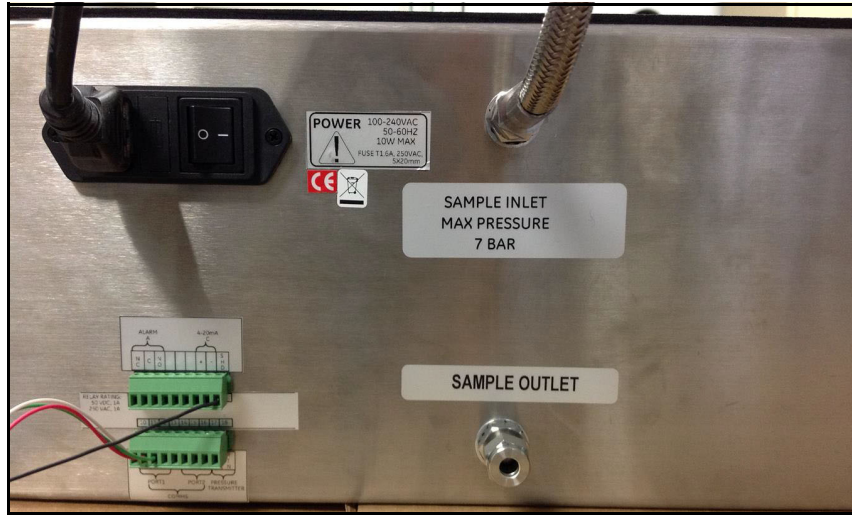


Figure 5: Back Panel Labels



Figure 6: Location of Model and Serial Number



Figure 7: Power, CE and Inlet Labels

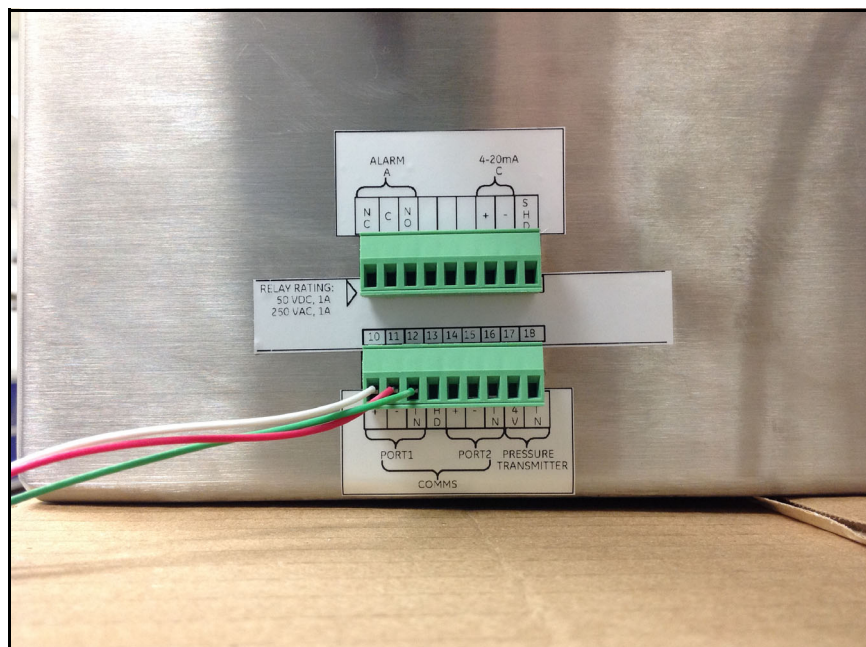


Figure 8: Back Panel Label - Wiring Diagram

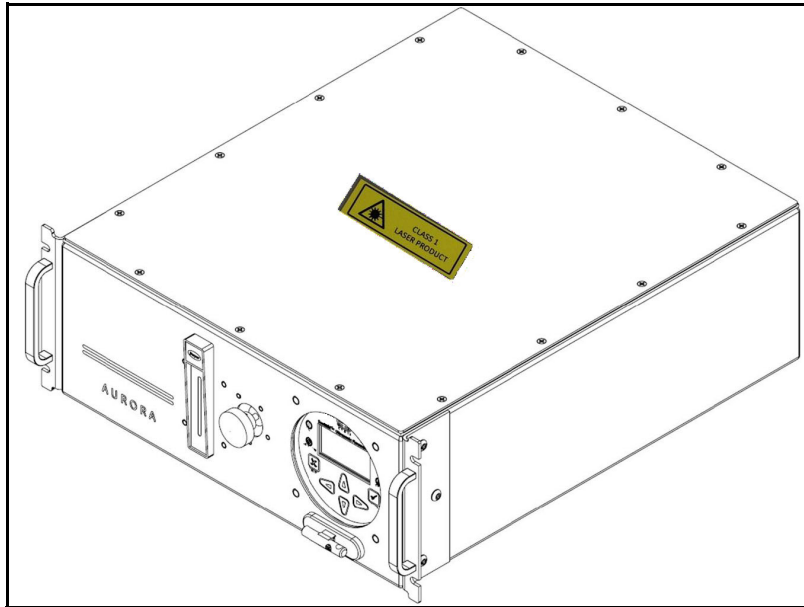


Figure 9: Laser Safety Label