

DPI610E DPI610E-IS



Portable Pressure Calibrator
Recycling Passport



Product Category

- Category 5, small equipment

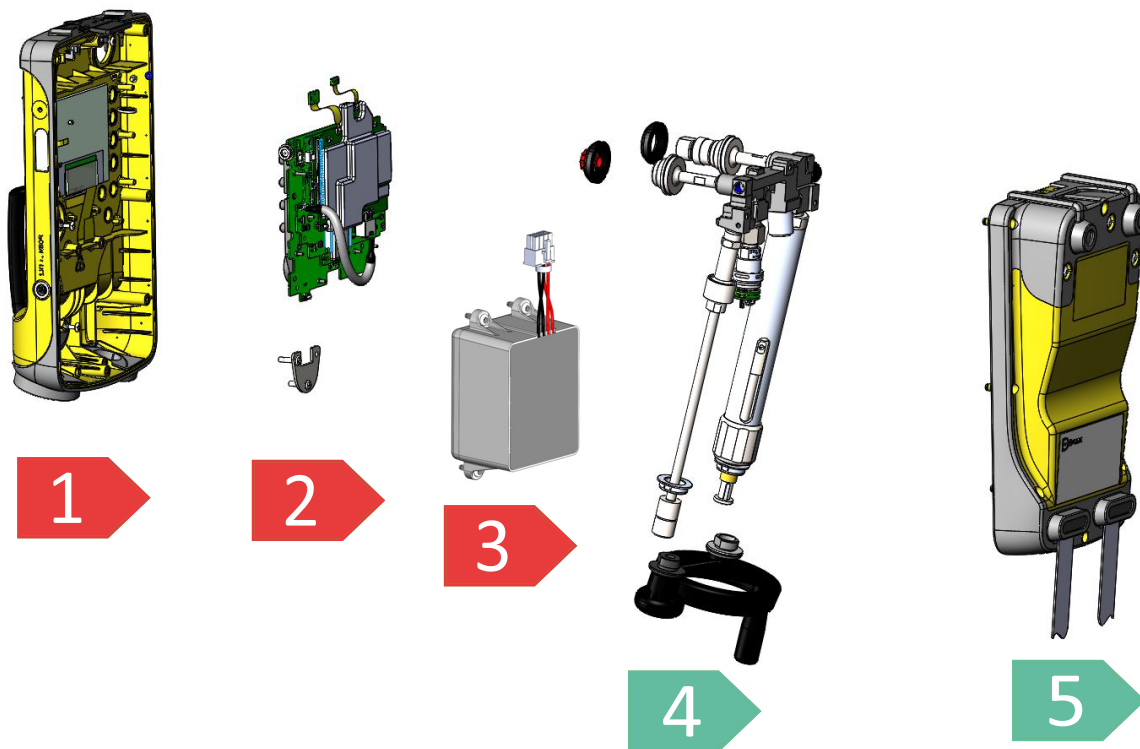
General View

| Color Code | Material Category |
|---|--------------------------------------|
|  | To be removed and treated separately |
|  | Part of the product |



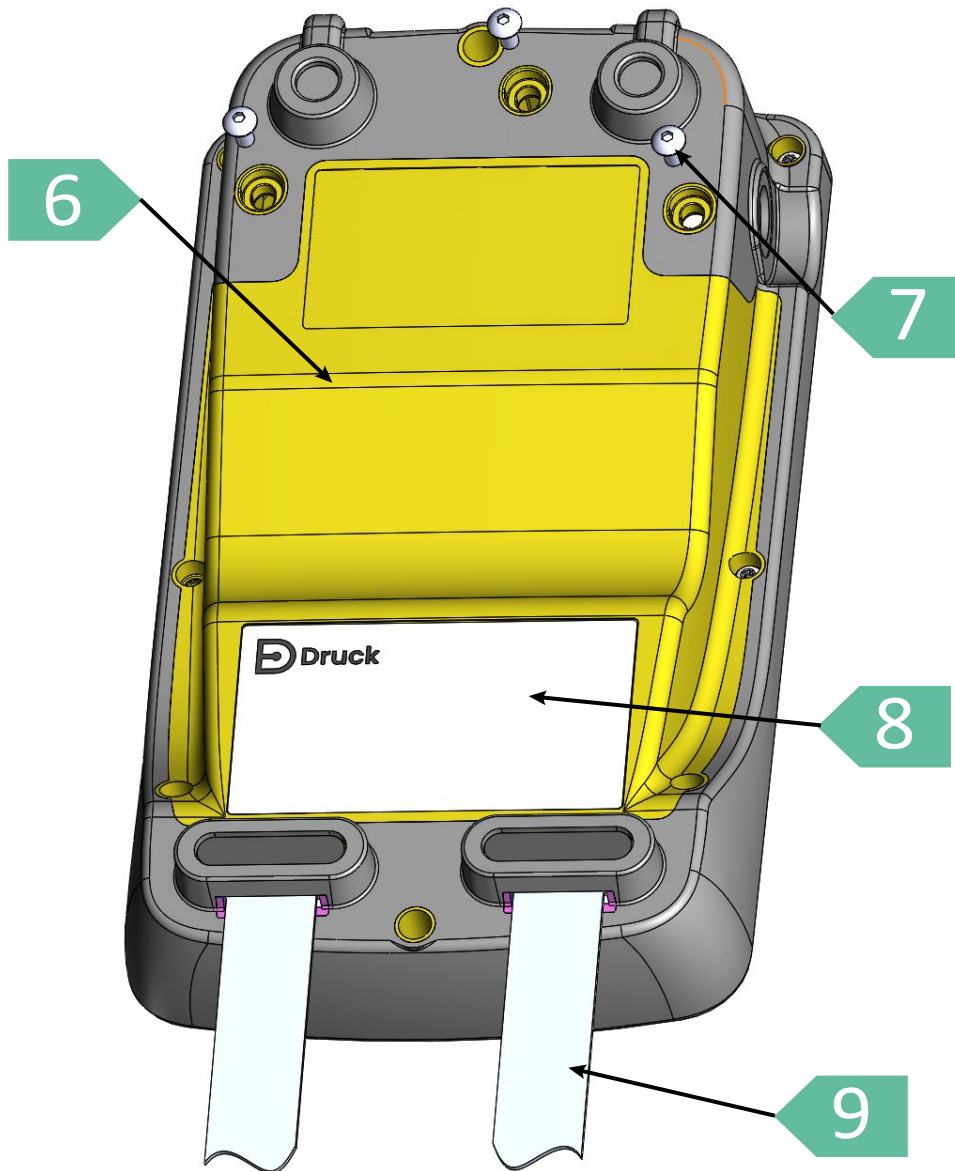
Removal of Materials/Components

Main Assembly Breakdown



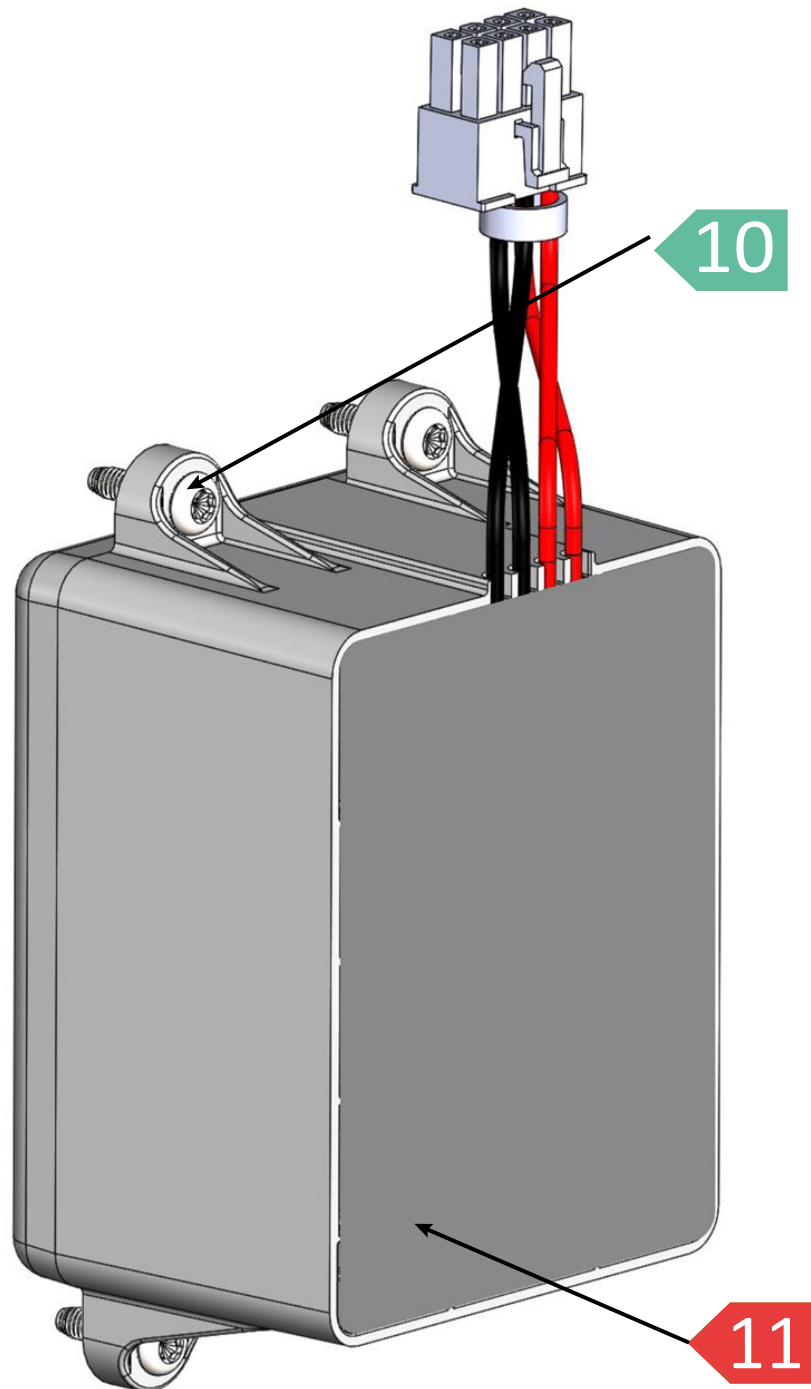
| No | Recycling Material Code | Important Information |
|----|-------------------------|-----------------------|
| 1 | Front Assembly | See page 9 |
| 2 | PCB Assembly | See page 10 |
| 3 | Battery Assembly | See page 4 |
| 4 | Manifold Assembly | See pages 5 to 8 |
| 5 | Rear Assembly & Fixings | See page 3 |

Rear Case Assembly



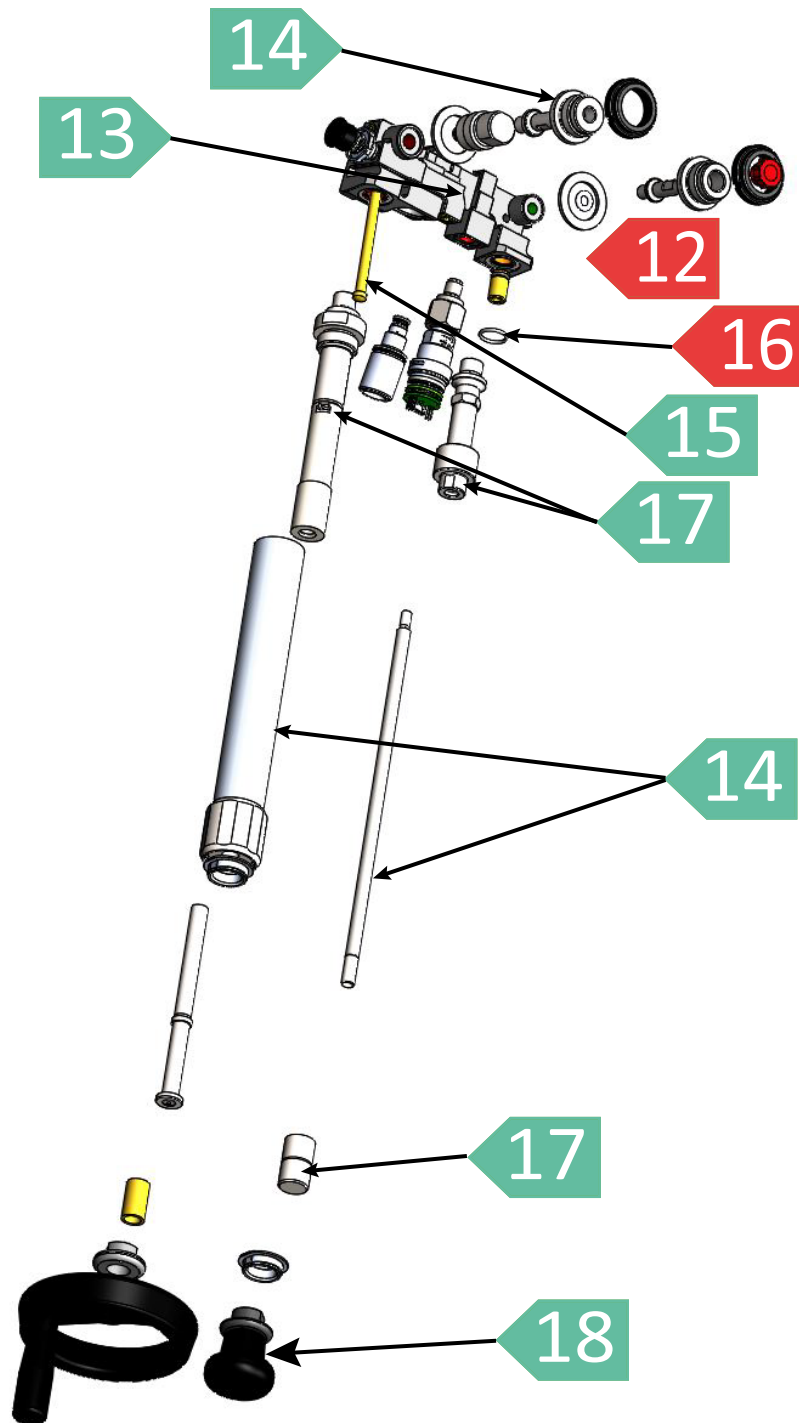
| No | Recycling Material Code | Important Information |
|----|-------------------------|---|
| 6 | Back Moulding | Blue or yellow plastic: Polycarbonate ABS |
| 7 | Screws | Stainless Steel |
| 8 | Label | Adhesive Film |
| 9 | Carry Strap | Black Nylon 66 |

Battery Assembly



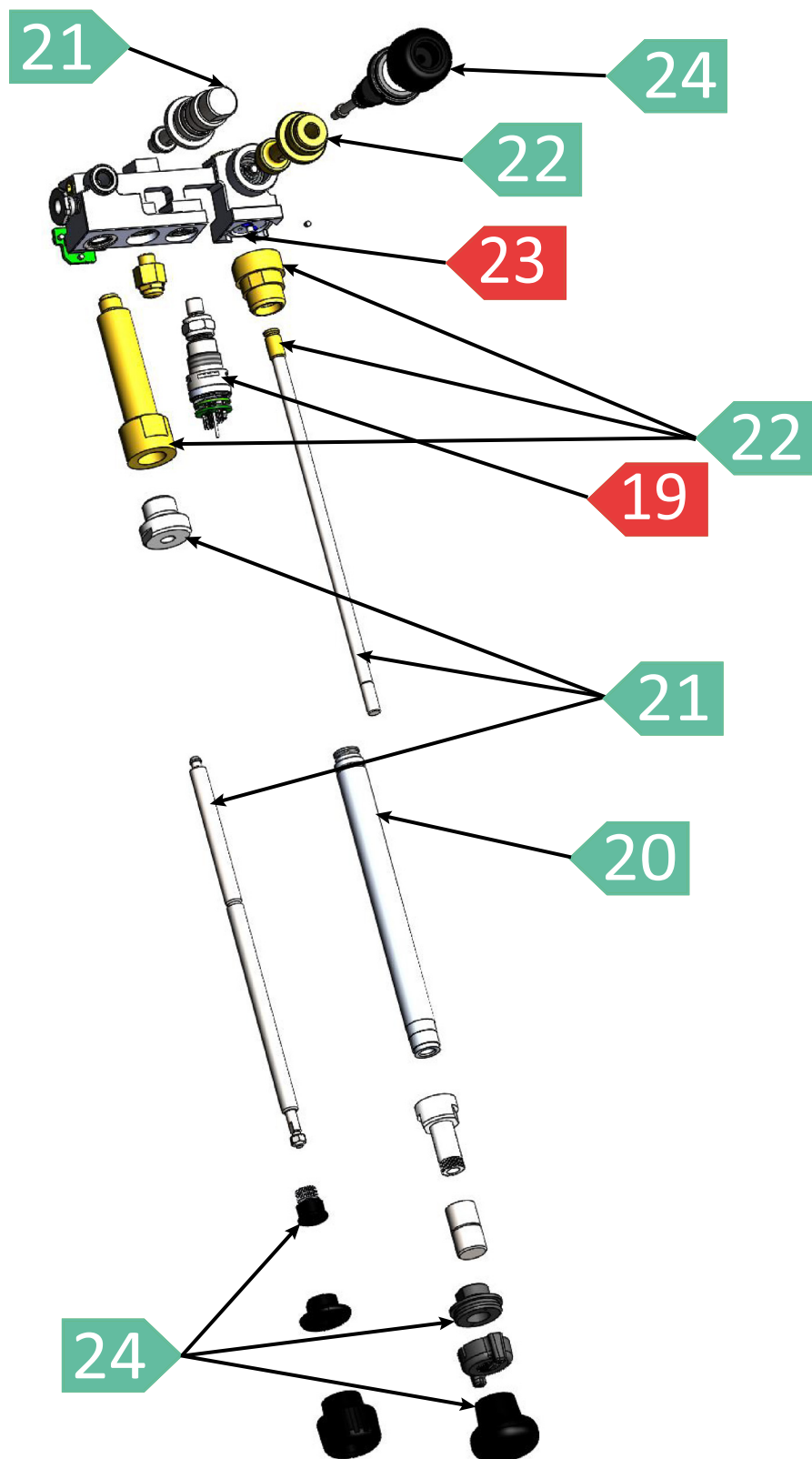
| No | Recycling Material Code | Important Information |
|----|-------------------------|-----------------------------|
| 10 | Screws | Stainless Steel |
| 11 | Battery | Potted Lithium Battery Pack |

Hydraulic Manifold (if fitted)



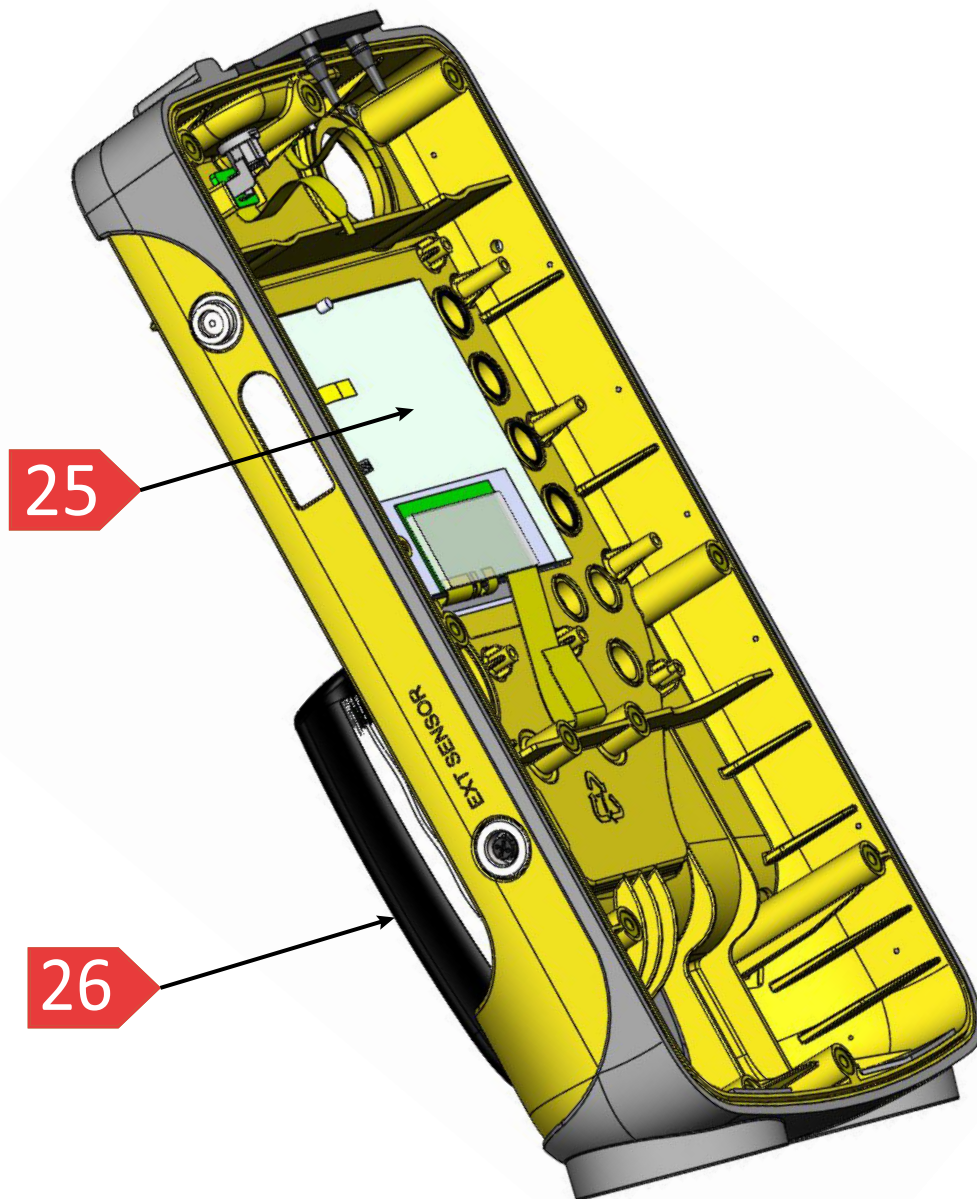
| No | Recycling Material Code | Important Information |
|----|--|---------------------------|
| 12 | Sensor | PCBA and Stainless Steel |
| 13 | Manifold, Pump Cylinder, Fine Control Cylinder | Aluminium |
| 14 | Test Port Assembly, External Port Reservoir | Stainless Steel |
| 15 | Pump Piston, Fine Control Piston | Brass |
| 16 | O-ring | Nitrile |
| 17 | Priming Cylinder, Priming Stopper | Titanium |
| 18 | Handle | Black Polypropylene MB305 |

Pneumatic Assembly (if fitted)



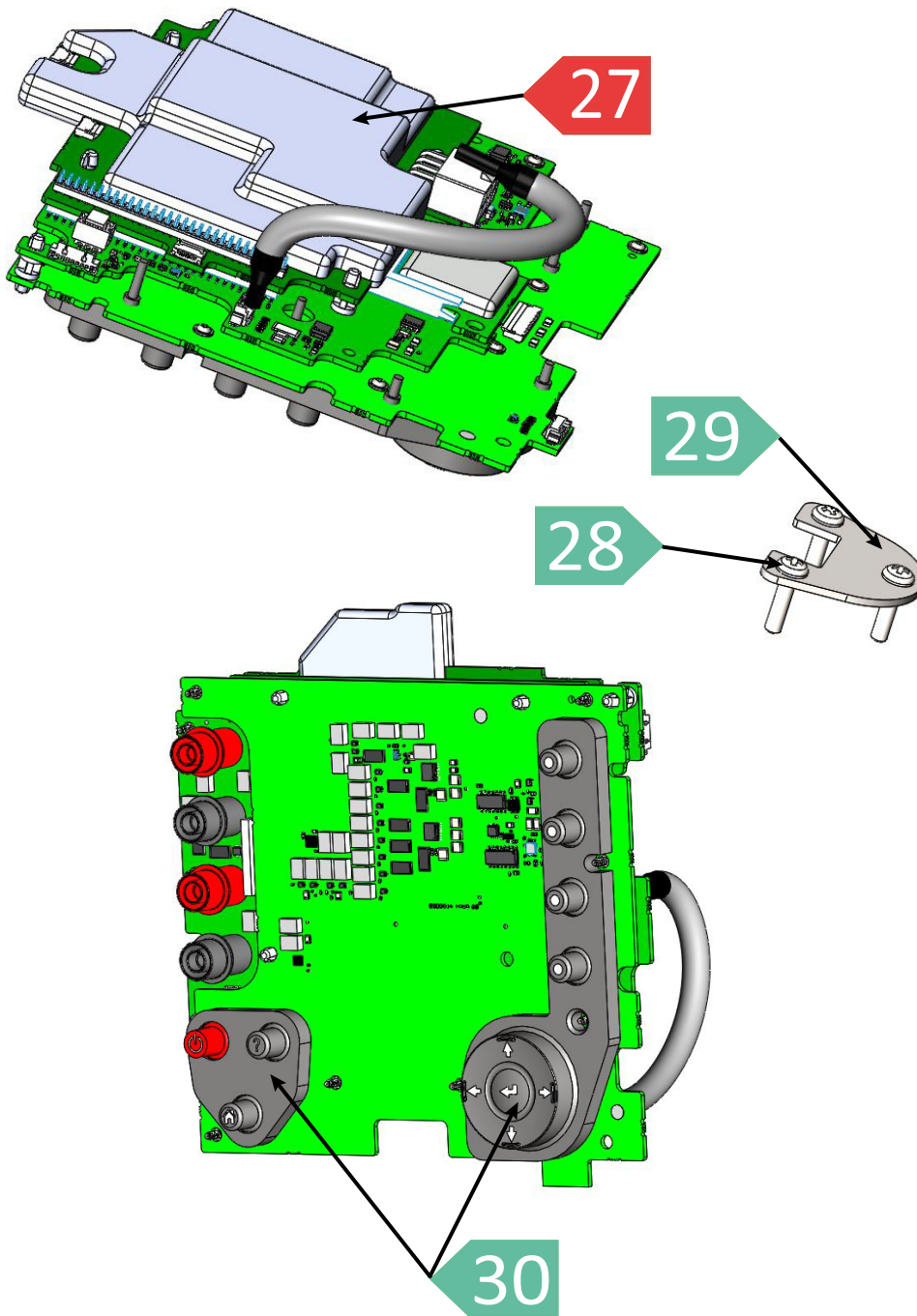
| No | Recycling Material Code | Important Information |
|----|--|--------------------------|
| 19 | Sensor | PCBA and Stainless Steel |
| 20 | Manifold, Pump Cylinder, Fine Control Cylinder | Aluminium |
| 21 | Piston Rod, Test Port, Fine Adjust Pump Stopper, Fine Adjust Rod | Stainless Steel |
| 22 | Needle Valve, Non-return Valve Assembly, Piston Cap | Brass |
| 23 | O-ring | Nitrile |
| 24 | Handles | Black Nylon 66 |

Front Case Assembly



| No | Recycling Material Code | Important Information |
|----|--------------------------|--|
| 25 | Screen and Case Assembly | Screen and Case Assembly |
| 26 | Handle | Black Nylon Reinforced with Evoprene 974 |

PCB Assembly



| No | Recycling Material Code | Important Information |
|----|-------------------------|-----------------------|
| 27 | PCB Assembly | PCB Assembly |
| 28 | Screws | Stainless Steel |
| 29 | Handle Plate | Aluminium |
| 30 | Keypads | Silicon Rubber |

Recycling Data

| Description | Weight (Kg) | Important information |
|---|-------------|-----------------------|
| Materials/components that must be removed and treated separately | | |
| Sensor | <0.5 | |
| Battery | <1 | |
| Screen and Case Assembly | <1 | |
| PCB Assembly | <0.5 | |
| Front Handle | <0.5 | |
| Subtotal | <2kg | |
| Materials/components that must be removed and treated separately | | |
| Case including: Back Case, Pneumatic/Hydraulic Manifold, Fixings, Handles | | |
| DPI610E-PC | 3.6 | |
| DPI610E-SPC | 3.6 | |
| DPI610E-HC | 4.4 | |
| DPI610E-SHC | 4.4 | |
| Subtotal | 3.6 - 4.4 | |
| Total Weight (inc batteries) | 4.4 | |
| Special Notes: | None | |

Office Locations

Headquarters

Leicester, UK

☎ +44 (0) 116 2317233
✉ gb.sensing.sales@bakerhughes.com

China

Guangzhou

☎ +86 173 1081 7703
✉ dehou.zhang@bakerhughes.com

Germany

Frankfurt

☎ +49 (0) 69-22222-973
✉ sensing.de.cc@bakerhughes.com

Japan

Tokyo

☎ +81 3 6890 4538
✉ gesitj@bakerhughes.com

UAE

Abu Dhabi

☎ +971 528007351
✉ suhel.aboobacker@bakerhughes.com

Australia

North Sydney

☎ 1300 171 502
✉ custcare.au@bakerhughes.com

China

Shanghai

☎ +86 135 6492 6586
✉ hensen.zhang@bakerhughes.com

India

Bangalore

☎ +91 9986024426
✉ aneesh.madhav@bakerhughes.com

Netherlands

Hoevelaken

☎ +31 334678950
✉ nl.sensing.sales@bakerhughes.com

USA

Boston

☎ 1-800-833-9438
✉ custcareboston@bakerhughes.com

China

Beijing

☎ +86 180 1929 3751
✉ fan.kai@bakerhughes.com

France

Toulouse

☎ +33 562 888 250
✉ sensing.FR.cc@bakerhughes.com

Italy

Milan

☎ +39 02 36 04 28 42
✉ csd.italia@bakerhughes.com

Russia

Moscow

☎ +7 915 3161487
✉ aleksey.khamov@bakerhughes.com

Services and Support Locations

Tech Support

Global

✉ drucktechsupport@bakerhughes.com

France

Toulouse

☎ +33 562 888 250
✉ sensing.FR.cc@bakerhughes.com

UAE

Abu Dhabi

☎ +971 2 4079381
✉ gulfservices@bakerhughes.com

Brazil

Campinas

☎ +55 19 2104 6924, +55 19 97169 1190
✉ cc.sensing.brasil@bakerhughes.com

India

Pune

☎ +91-2135-620421~425
✉ mcindia.inhouseservice@bakerhughes.com

UK

Leicester

☎ +44 (0) 116 2317107
✉ sensing.grobycc@bakerhughes.com

China

Changzhou

☎ +86 400 818 1099
✉ service.mcchina@bakerhughes.com

Japan

Tokyo

☎ +81 3 6894 1838
✉ service.druck.jp@bakerhughes.com

USA

Billerica

☎ +1 (281) 542-3650
✉ namservice@bakerhughes.com