

SEIFERT

ERESCO 65 MF4

Portable air-cooled 300 kV X-ray generator with 3 mm focal spot

The ERESKO 65 MF4 is a very reliable, portable 300 kV industrial X-ray generator also for use outdoors in the field and under challenging environmental conditions.

The ERESKO 65 MF4 offers a material penetration of up to 65 mm steel with 10 minutes exposure time.*

The X-ray tube head consists of a sturdy metal-ceramic X-ray tube and high voltage generator integrated into a rugged compact housing. The air-cooled 300 KV/ 900 W end-grounded X-ray tube is thermally protected for extended life.

The high voltage generator generates high-stability constant potential voltage at higher efficiency than conventional line frequency equipment.

The performance of the X-ray tube and the high voltage generator is continuously monitored for protection and operational safety. An on-board real time clock facilitates fully automatic warm-up routines for optimized and time-saving tube conditioning. The flexible connecting cable is heavy-duty and light weight.

The ERESKO series can also be controlled by PC or laptop and is compatible with the Waygate Technologies software Rhythm Insight RT.

* When the focus-film distance is 700 mm (27.5"), 65 mm (2.56") Fe penetration and AGFA STRUCTURIX D7 film with blackening 2.0

Additional Features

- Rugged construction with proven reliability
- Extended operating range from 5 kV to 300 kV enables flexible use
- Gas insulated high voltage section reduces size & weight
- End-grounded, Be-window, metal-ceramic X-ray tube
- DC voltage operation
- Modern power electronics provides high stability
- On-board real time clock supports fully automatic warm-up
- Large 40° × 60° emergent beam
- Optimized air-flow cooling for efficient heat dissipation
- 100 % duty cycle at 30° Celsius (86° F)
- Built-in fail-safe warning lamp
- CE certification according to EMC and Low Voltage Directives
- French Standard NFC 74 100 compliant
- BfS certification (PTB approval)
- Water / dust resistant in accordance with protection class IP65
- Produced under ISO 9001 certified quality management system

Standard Delivery Scope

ERESCO generator unit from high voltage generator and X-ray tube or optionally as a system with "ERESCO MF4 Control" control unit

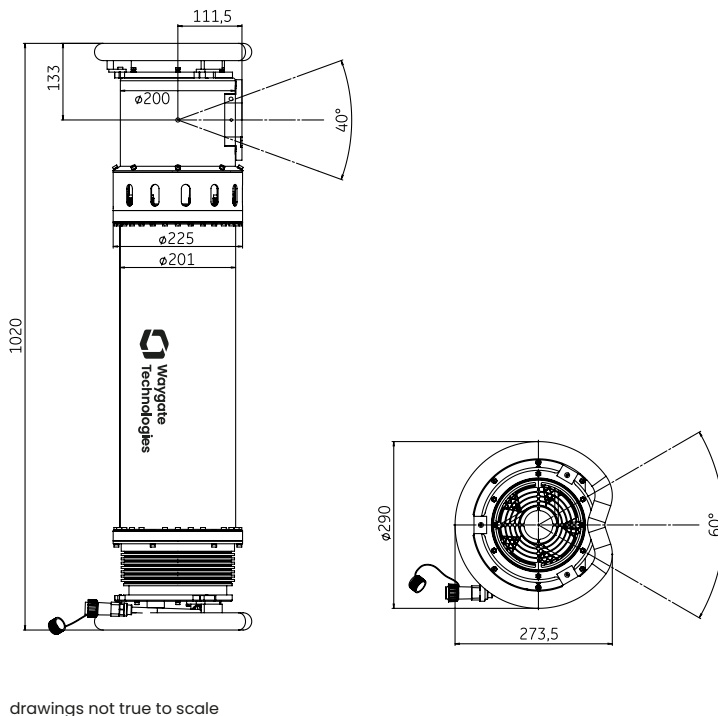
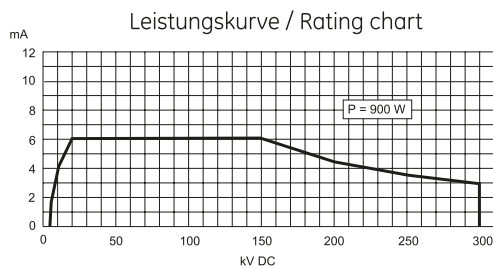
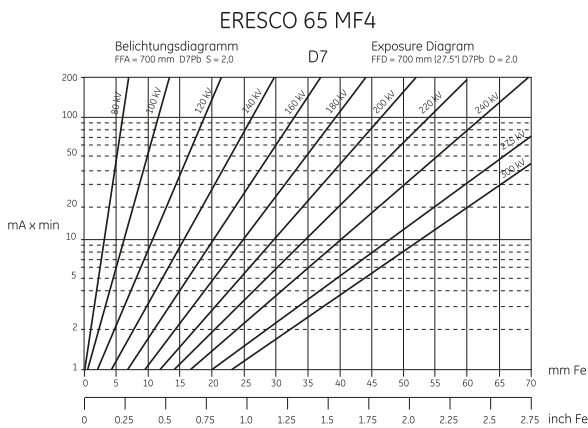


Technical Data

| | |
|--|---|
| X-ray tube type | 300 kV metal-ceramic with Tungsten (W) anode |
| kV range | 5 - 300 kV (acc. to rating chart) |
| Target angle | 20° |
| Inherent filtration | 0.8 mm ± 0.1 mm, Be |
| Emergent beam | 40° × 60°, elliptical |
| Focal spot size (EN 12 543) | 3.0 mm (-1.5 IEC 336) |
| Tube current | 0.5 - 6 mA (3.0 mA /300 kV) |
| Anode temperature, max. | 100° C |
| Current and voltage stability | ± 1 % |
| Continuous rating | 900 W |
| Duty cycle ($\delta_{amb} = 30^\circ C$) | 100 % (up to 60 min continuous operation) |
| Power input, max. | 2.0 kVA |
| Weight (exluding hand rings) | 37.8 kg (83.3 lbs) |
| Tube head diameter | 290 mm (11.42") 225 mm (7.87") (without rings) |
| Protection class | IP65 |
| Operating Temperature | -20° C to +50° C |
| Storage Temperature | -30° C to +80° C |

Options

- Carrying cradle
- Diaphragm / collimator attachments
- Laser centering device
- Transport and positioning cart
- Fail-safe flashing warning lamp
- Stands and mounting kits
- Aluminium transport box



Waygate Technologies
Bogenstr. 41 • 22926 Ahrensburg / Germany
Tel.: +49 4102 807 0 • Fax: +49 4102 807 189 • E-Mail: xray.info@bakerhughes.com

Copyright 2023 Baker Hughes Company. This material contains one or more registered trademarks of Baker Hughes Company and its subsidiaries in one or more countries. All third-party product and company names are trademarks of their respective holders.

BHFF30177EN (05/2023)

Baker Hughes

waygate-tech.com