

SEIFERT

ERESCO 52 MF4-CL

Portable air-cooled 300 kV panoramic X-ray generator

The ERESKO 52 MF4-CL is a very reliable, portable 300 kV industrial X-ray generator also for use outdoors in the field and under challenging environmental conditions.

The ERESKO 52 MF4-CL offers a material penetration of up to 52 mm steel with 10 minutes exposure time.*

The X-ray tube head consists of a sturdy metal-ceramic X-ray tube and high voltage generator integrated into a rugged compact housing. The air-cooled 300 KV/ 600 W end-grounded X-ray tube is thermally protected for extended life.

The high voltage generator generates high-stability constant potential voltage at higher efficiency than conventional line frequency equipment.

The performance of the X-ray tube and the high voltage generator is continuously monitored for protection and operational safety. An on-board real time clock facilitates fully automatic warm-up routines for optimized and time-saving tube conditioning. The flexible connecting cable is heavy-duty and light weight.

The ERESKO series can also be controlled by PC or laptop and is compatible with the Waygate Technologies software Rhythm Insight RT.

* When the focus-film distance is 700 mm (27.5"), 52 mm (2.01") Fe penetration and AGFA STRUCTURIX D7 film with blackening 2.0

Additional Features

- Rugged construction with proven reliability
- Extended operating range from 5 kV to 300 kV enables flexible use
- Gas insulated high voltage section reduces size & weight
- End-grounded, metal-ceramic X-ray tube
- DC voltage operation
- Modern power electronics provides high stability
- On-board real time clock supports fully automatic warm-up
- Large 38° × 360° emergent beam
- Optimized air-flow cooling for efficient heat dissipation
- 100 % duty cycle at 30° Celsius (86° F)
- Built-in fail-safe warning lamp
- CE certification according to EMC and Low Voltage Directives
- Water / dust resistant in accordance with protection class IP65
- Produced under ISO 9001 certified quality management system

Standard Delivery Scope

ERESCO generator unit from high voltage generator and X-ray tube or optionally as a system with "ERESCO MF4 Control" control unit

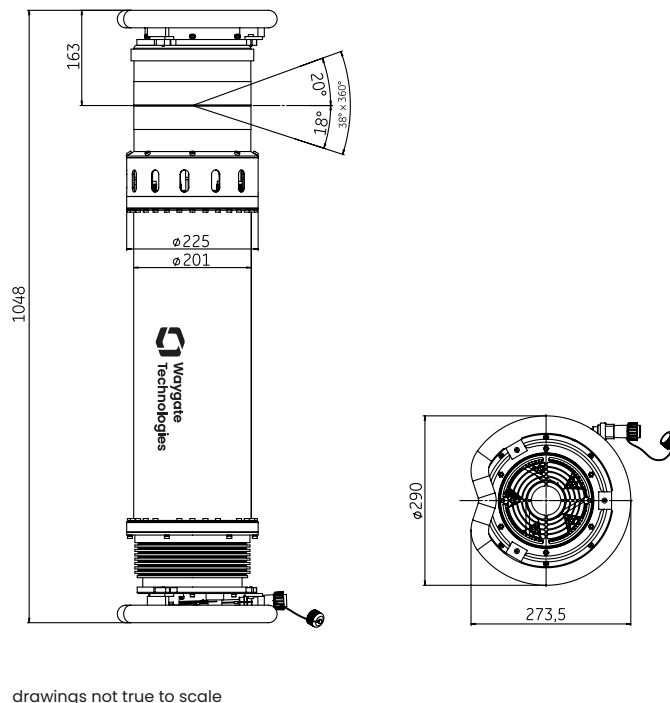
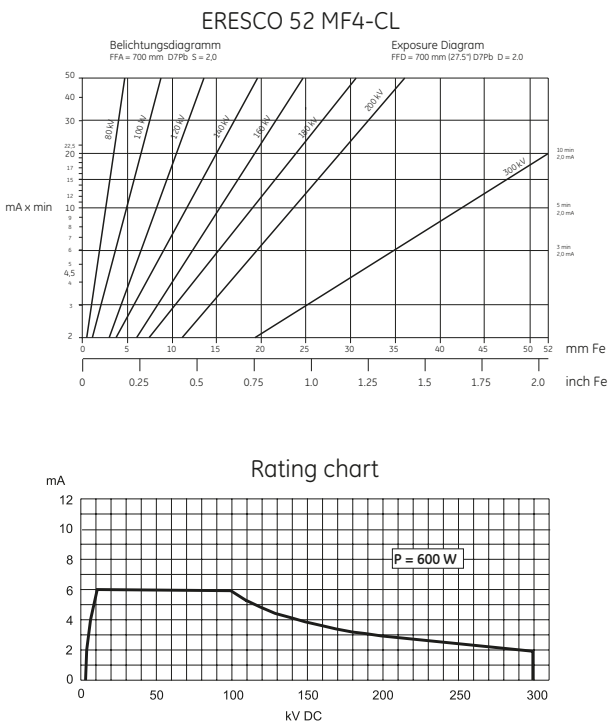


Technical Data

X-ray tube type	300 kV metal-ceramic with Tungsten (W) cone anode
kV range	5 - 300 kV (acc. to rating chart)
Target angle	22°
Inherent filtration	0.4 mm Fe/Ni/Co + 3 mm Al
Emergent beam	38° × 360°
Focal spot size (EN 12 543)	0.5 × 5.5 mm
Tube current	0.5 - 6 mA (2.0 mA /300 kV)
Anode temperature, max.	100° C
Current and voltage stability	± 1 %
Continuous rating	600 W
Duty cycle ($\delta_{amb} = 30^\circ \text{C}$)	100 %
Power input, max.	1.4 kVA
Weight (exluding hand rings)	33.8 kg (74.5 lbs)
Protection class	IP65
Tube head diameter	225 mm (7.87") (without rings)
Operating Temperature	-20° C to +50° C
Storage Temperature	-30° C to +80° C

Options

- Carrying cradle
- Diaphragm / collimator attachments
- Laser centering device
- Transport and positioning cart
- Fail-safe flashing warning lamp
- Stands and mounting kits
- Aluminium transport box
- Crawler Integration Kit



Waygate Technologies
 Bogenstr. 41 • 22926 Ahrensburg / Germany
 Tel.: +49 4102 807 0 • Fax: +49 4102 807 189 • E-Mail: xray.info@bakerhughes.com

Copyright 2023 Baker Hughes Company. This material contains one or more registered trademarks of Baker Hughes Company and its subsidiaries in one or more countries. All third-party product and company names are trademarks of their respective holders.

BHFF30176EN (05/2023)

Baker Hughes 

waygate-tech.com