

Masoneilan™ 174 Series

Spring Loaded, Direct-
Operated Regulator for
Pressure Reducing or
Relief Applications

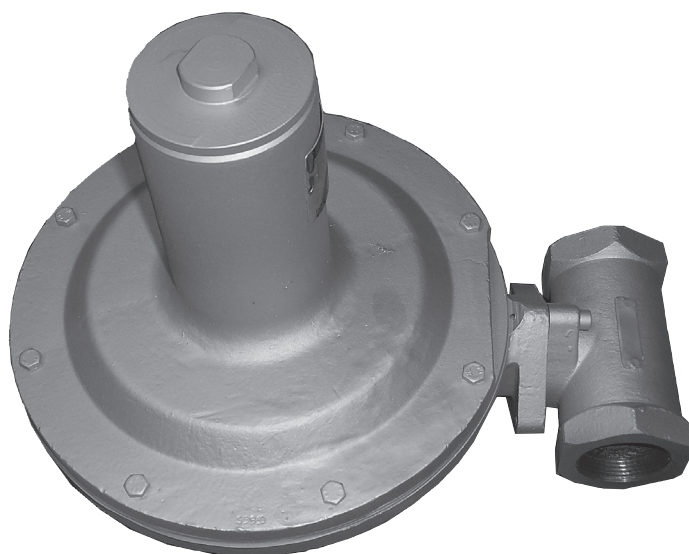


Table of Contents

Numbering System..... 2

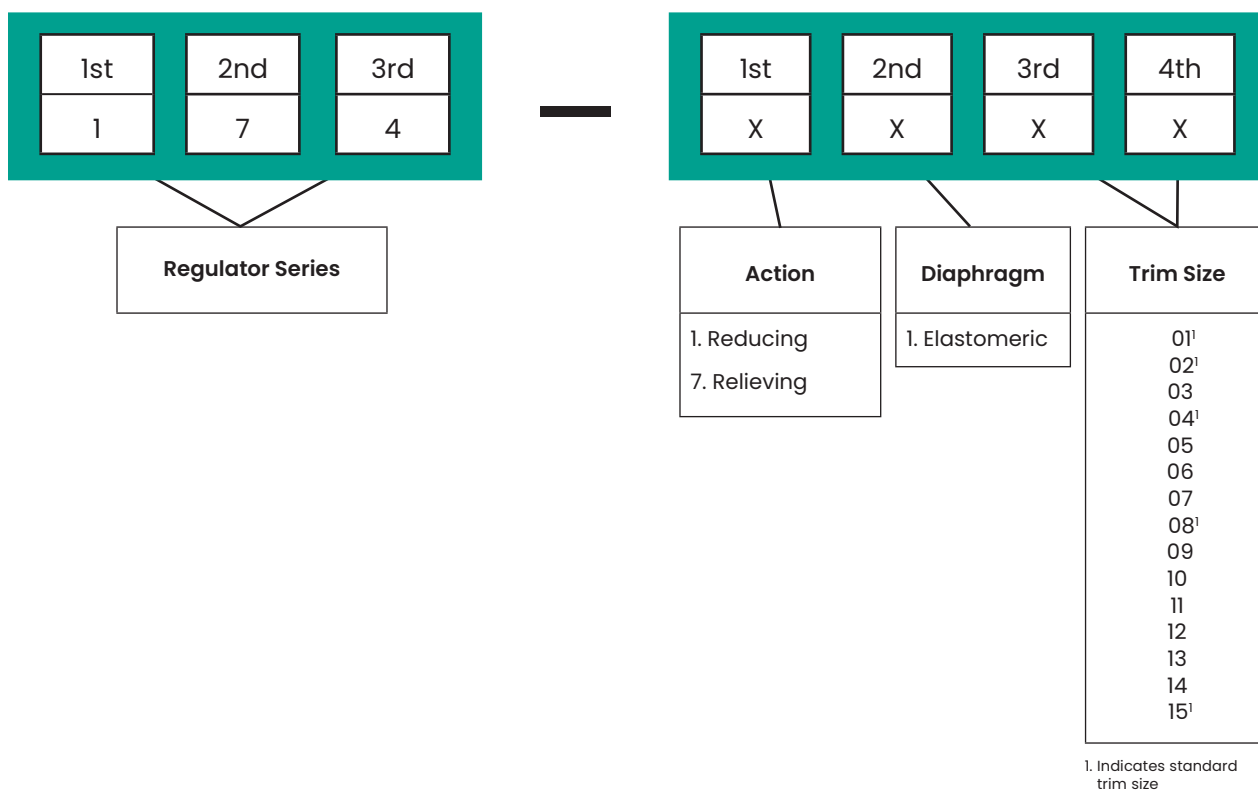
Features/Specifications 3

Materials 4

Specifications..... 5

Dimensions 10

Numbering System

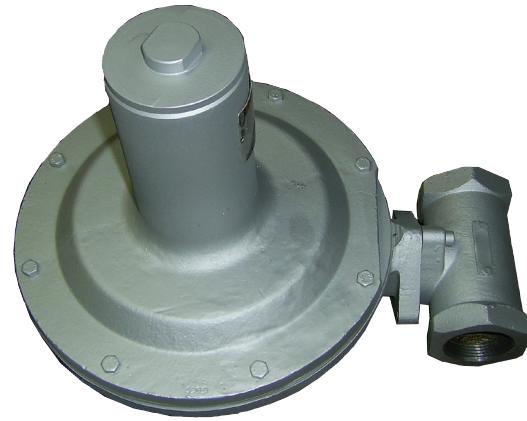


174 Series (PED 2014/68/EU, ATEX 2014/34/EU)

The 174 series is a spring loaded, direct-operated regulator for pressure reducing or relief applications in a wide variety of industrial applications. The large diaphragm area provides accurate control at low pressure settings and the lever design provides consistent shut-off tightness. They are available in 1/2 through 1 1/2 inch body sizes. The pressure reducing design can handle inlet pressures up to 145 psig (10 barg).

Features

- In-line maintenance
- Easy maintenance
- Precise control



Specifications

Body

Body Sizes and End Connections

- 1/2 inch through 1 1/2 inch (DN 15 through DN 40)
NPT or GAS

Maximum Inlet Pressure

- 174-1 Reducing: 145 psig (10 barg) - see table 2
- 174-7 Relief: 4.4 psig (0.3 barg)

Maximum Outlet Pressure

- 174-1 Reducing: 8.8 psig (0.61 barg)

Set Pressure Range

- 174-1 Reducing: 1.4 inches w.c. to 8.8 psig
- 174-7 Relief: 1.4 inches w.c. to 4.4 psig

Temperature Range

- -0.4°F to 194°F (-18°C to 90°C)

Pressure Sensing

- internal

Flow Coefficients

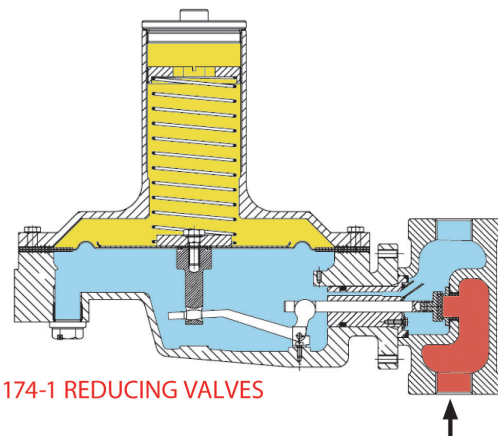
- see tables 6, 7

Capacities

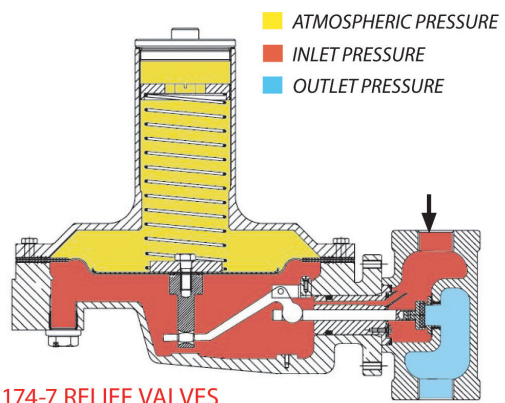
- 174-1 Reducing: see table 8
- 174-7 Relief: see table 9

Weights

- 30 lbs (13.5 kg)

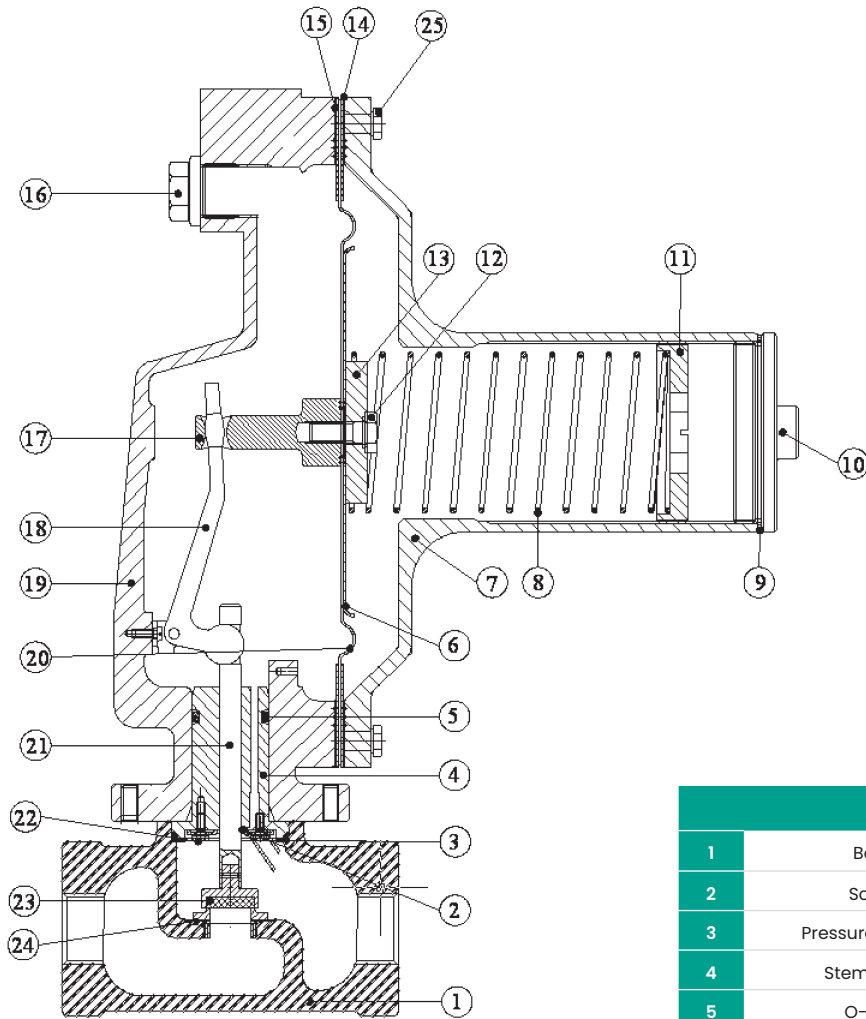


174-1 REDUCING VALVES



174-7 RELIEF VALVES

Materials



Materials			
1	Body	14	Gasket
2	Screw	15	Diaphragm Ring
3	Pressure Sensing	16	Screw
4	Stem Guide	17	Stem Diaphragm Connection
5	O-Ring	18	Lever
6	Diaphragm Plate	19	Diaphragm Case
7	Spring Case	20	Diaphragm
8	Spring	21	Stem
9	Gasket	22	Gasket
10	Spring Case Cap	23	Plug
11	Adjusting Screw Ring	24	Seat
12	Screw	25	Screw
13	Spring Button (lower)		

Specifications

Table 1 – Standard Material Combinations	
Body	
	Carbon Steel ¹ -18°C < T < 90°C (-0.4°F < T < 194°F)
Body	Carbon Steel
Studs	8.8
Nuts	8
Trim	
Seat	316 SS
Disc	NBR
Stem	316 SS
Guide Bushing	PTFE
Actuator	
Spring Case	Carbon Steel
Diaphragm Case	Carbon Steel
Spring	CrV Steel
Diaphragm	Nitrile Rubber (NBR)

Table 2 – Maximum Operating Inlet Pressures					
Orifice Size mm	Maximum Operating Inlet Pressure, PSIG (barg)				
	With 1.4 to 2.2 inches w.c. (3.4 to 5.5 mbarg) Outlet Pressure Setting	With 2.2 to 3.7 inches w.c. (5.5 to 9.3 mbarg) Outlet Pressure Setting	With 3.7 to 8.8 inches w.c. (9.3 to 22.0 mbarg) Outlet Pressure Setting	With 8.8 to 13.6 inches w.c. (22.0 to 34.0 mbarg) Outlet Pressure Setting	With 13.6 to 25 inches w.c. (34.0 to 62.0 mbarg) Outlet Pressure Setting
1	145.0 (10.00)	145.0 (10.00)	145.0 (10.00)	145.0 (10.00)	145.0 (10.00)
2	81.2 (5.60)	94.3 (6.50)	145.0 (10.00)	145.0 (10.00)	145.0 (10.00)
4	18.9 (1.30)	23.2 (1.60)	37.7 (2.60)	46.4 (3.20)	53.7 (3.70)
8	4.4 (0.30)	5.8 (0.40)	8.7 (0.60)	11.6 (0.80)	13.1 (0.90)
14	1.6 (0.11)	1.9 (0.13)	3.1 (0.21)	3.6 (0.25)	4.4 (0.30)

Table 2 – Maximum Operating Inlet Pressures (cont.)				
Orifice Size mm	Maximum Operating Inlet Pressure, PSIG (barg)			
	With 25 to 39 inches w.c. (62.0 to 98.0 mbarg) Outlet Pressure Setting	With 1.4 to 2.8 psig (0.098 to 0.190 barg) Outlet Pressure Setting	With 2.8 to 4.4 psig (0.190 to 0.300 barg) Outlet Pressure Setting	With 4.4 to 8.8 psig (0.300 to 0.610 barg) Outlet Pressure Setting
1	145.0 (10.00)	145.0 (10.00)	145.0 (10.00)	145.0 (10.00)
2	145.0 (10.00)	145.0 (10.00)	145.0 (10.00)	145.0 (10.00)
4	91.4 (6.30)	145.0 (10.00)	145.0 (10.00)	145.0 (10.00)
8	21.8 (1.50)	36.3 (2.50)	39.2 (2.70)	72.5 (5.00)
14	7.3 (0.50)	11.6 (0.80)	11.6 (0.80)	23.2 (1.60)

Table 3 – Set Pressure Ranges (Control Pressure)		
Type Number	Spring	Set Pressure Range With Spring Case Above Diaphragm
174	UBB02	1.4 to 2.2 inches w.c. (3.4 to 5.5 mbarg)
	UBB03	2.2 to 3.7 inches w.c. (5.5 to 9.3 mbarg)
	UBB05	3.7 to 8.8 inches w.c. (9.3 to 22 mbarg)
	UBB06	8.8 to 13.6 inches w.c. (22 to 34 mbarg)
	UBB07	13.6 to 25 inches w.c. (34 to 62 mbarg)
	UBB08	25 to 39 inches w.c. (62 to 98 mbarg)
	UBB09	1.4 to 2.8 psig (0.098 to 0.190 barg)
	UBB10	2.8 to 4.4 psig (0.190 to 0.300 barg)
	UBB12	4.4 to 8.8 psig (0.300 to 0.610 barg)

Table 4 – Temperature Ranges for Disc Elastomer	
Nitrile Rubber (NBR) ¹	-0.4°F to 194°F (-18°C to 90°C)

Table 5 – Temperature Ranges for Diaphragms	
Nitrile Rubber (NBR) ¹	-0.4°F to 194°F (-18°C to 90°C)

1. Stainless steel construction available on request

Specifications

Table 6 - Flow Coefficient C_v - Model 174-7 Relief Version

Nozzle	1/2" (DN 15)	3/4" (DN 20)	1" (DN 25)	1 1/2" (DN 40)
1	0.04	0.04	0.04	0.04
2	0.17	0.17	0.17	0.17
3 ¹	0.38	0.38	0.38	0.38
4	0.75	0.75	0.75	0.75
5 ¹	0.95	0.95	0.95	0.95
6 ¹	1.39	1.39	1.39	1.39
7 ¹	1.88	1.88	1.88	1.88
8	2.50	2.50	2.50	2.50
9 ¹	1.96	2.96	2.96	2.96
10 ¹	3.40	3.40	3.40	3.40
11 ¹	3.75	3.75	3.75	3.75
12 ¹	3.95	3.95	3.95	3.95
13 ¹	-	4.15	4.15	4.15
14	-	4.40	4.40	4.40
15 ¹	-	4.86	4.90	4.90

Table 7 - Flow Coefficient C_v - Model 174-1 Reducing Version

Nozzle	1/2" (DN 15)	3/4" (DN 20)	1" (DN 25)	1 1/2" (DN 40)
1	0.04	0.04	0.04	0.04
2	0.10	0.10	0.10	0.10
3 ¹	0.34	0.34	0.34	0.34
4	0.75	0.75	0.75	0.75
5 ¹	0.94	0.94	0.94	0.94
6 ¹	1.38	1.38	1.38	1.38
7 ¹	1.90	1.90	1.90	1.90
8	2.45	2.45	2.45	2.45
9 ¹	2.80	2.80	2.80	2.80
10 ¹	3.14	3.14	3.14	3.14
11 ¹	3.55	3.55	3.55	3.55
12 ¹	3.82	3.82	3.82	3.82
13 ¹	-	4.00	4.00	4.00
14	-	4.50	4.50	4.50
15 ¹	-	4.95	4.90	4.90

1. Special nozzle sizes available on request

Specifications

Table 8 – 174-1 Pressure Reducing Capacities

Outlet Pressure Range Spring Code	Offset From Setpoint	Outlet Pressure Setting	Maximum Inlet Pressure PSIG (barg)	Capacities in SCFH (Nm ³ /h)					
				Orifice Size (mm)					
				1	2	4	8	14	
1.4 to 2.2 inches w.c. (3.4 to 5.5 mbar), 43 12 UBB02	0.4 inches w.c. (1 mbar)	1.4 inches w.c. (3.4 mbar)	0.11 (1.6)	9.89 (0.265)	26.85 (0.719)	213.15 (5.711)	696.30 (18.655)	1278.92 (34.264)	
			0.30 (4.35)	18.96 (0.508)	47.92 (1.284)	359.43 (9.630)	1174.15 (31.457)	-	
			1.30 (18.85)	43.77 (1.173)	109.42 (2.931)	820.63 (21.986)	-	-	
			5.60 (81.22)	140.20 (3.756)	350.50 (9.390)	-	-	-	
			10.00 (145)	242.60 (6.500)	-	-	-	-	
	2.2 inches w.c. (5.5 mbar)	0.11 (1.6)	9.78 (0.262)	26.55 (0.711)	211.24 (5.659)	690.051 (18.487)	1267.44 (33.957)		
		0.30 (4.35)	18.89 (0.506)	47.80 (1.281)	358.46 (9.604)	1170.98 (31.372)	-		
		1.30 (18.85)	43.76 (1.172)	109.42 (2.931)	820.44 (21.981)	-	-		
		5.60 (81.22)	140.18 (3.755)	350.44 (9.389)	-	-	-		
		10.00 (145)	242.58 (6.499)	-	-	-	-		
2.2 to 3.7 inches w.c. (5.5 to 9.3 mbar), 43 12 UBB03	0.8 inches w.c. (2 mbar)	2.2 inches w.c. (5.5 mbar)	0.13 (1.88)	10.91 (0.292)	29.56 (0.792)	230.78 (6.183)	753.89 (20.198)	1384.69 (37.098)	
			0.40 (5.80)	22.29 (0.597)	55.71 (1.493)	417.86 (11.195)	1365.00 (36.570)	-	
			1.60 (23.2)	49.94 (1.338)	124.85 (3.345)	936.53 (25.091)	-	-	
			6.50 (94.27)	161.09 (4.316)	402.72 (10.790)	-	-	-	
			10.00 (145)	242.58 (6.499)	-	-	-	-	
	3.7 inches w.c. (9.3 mbar)	0.13 (1.88)	10.72 (0.287)	29.06 (0.779)	227.61 (6.098)	743.53 (19.920)	1365.66 (36.588)		
		0.40 (5.80)	22.21 (0.595)	55.53 (1.488)	416.45 (11.157)	1360.41 (36.447)	-		
		1.60 (23.2)	49.94 (1.338)	124.85 (3.345)	936.33 (25.086)	-	-		
		6.50 (94.27)	161.04 (4.315)	402.60 (10.786)	-	-	-		
		10.00 (145)	242.53 (6.498)	-	-	-	-		
3.7 to 8.8 inches w.c. (9.3 to 22 mbar) 43 12 UBB05	2 inches w.c. (5 mbar)	3.7 inches w.c. (9.3 mbar)	0.21 (3.05)	14.77 (0.396)	39.30 (1.053)	294.73 (7.896)	962.77 (25.794)	1768.36 (47.377)	
			0.60 (8.70)	27.75 (0.744)	69.38 (1.859)	520.35 (13.941)	1699.81 (45.540)	-	
			2.60 (37.71)	70.35 (1.885)	175.87 (4.712)	1319.02 (35.338)	-	-	
			10.00 (145)	242.53 (6.498)	606.33 (16.244)	-	-	-	
		8.8 inches w.c. (22 mbar)	0.21 (3.05)	14.26 (0.382)	38.24 (1.024)	286.78 (7.683)	936.80 (25.098)	1720.66 (46.099)	
	0.60 (8.70)		27.58 (0.739)	68.94 (1.847)	517.06 (13.853)	1689.05 (45.252)	-		
	2.60 (37.71)		70.18 (1.880)	175.44 (4.700)	1315.78 (35.252)	-	-		
	10.00 (145)		242.38 (6.494)	605.94 (16.234)	-	-	-		
	8.8 to 13.6 inches w.c. (22 to 34 mbar) 43 12 UBB06	13.15 inches w.c. (8 mbar)	8.8 inches w.c. (22 mbar)	0.25 (3.63)	16.13 (0.432)	42.20 (1.131)	316.54 (8.480)	1034.02 (27.703)	1899.21 (50.883)
				0.80 (11.60)	32.55 (0.872)	81.38 (2.180)	610.33 (16.352)	1993.73 (53.415)	-
3.20 (46.41)				84.17 (2.255)	210.43 (5.638)	1578.26 (42.284)	-	-	
10.00 (145)				242.38 (6.494)	605.94 (16.234)	-	-	-	
13.6 inches w.c. (34 mbar)			0.25 (3.63)	15.68 (0.420)	41.28 (1.106)	309.62 (8.295)	1011.41 (27.097)	1857.69 (49.770)	
		0.80 (11.60)	32.43 (0.869)	81.07 (2.172)	608.00 (16.289)	1986.11 (53.211)	-		
		3.20 (46.41)	84.01 (2.251)	210.04 (5.627)	1575.28 (42.204)	-	-		
		10.00 (145)	242.23 (6.490)	605.58 (16.224)	-	-	-		
		13.6 to 25 inches w.c. (34 to 62 mbar) 43 12 UBB07	6.8 inches w.c. (17 mbar)	13.6 inches w.c. (34 mbar)	0.30 (4.35)	17.93 (0.480)	45.95 (1.231)	344.61 (9.233)	1125.74 (30.160)
0.90 (13.05)					34.78 (0.932)	89.96 (2.330)	652.21 (17.474)	2130.54 (57.080)	-
3.70 (53.66)	95.66 (2.563)				239.14 (6.407)	1793.56 (48.052)	-	-	
10.00 (145)	242.23 (6.490)				605.58 (16.224)	-	-	-	
25 inches w.c. (62 mbar)	0.30 (4.35)			16.92 (0.453)	43.95 (1.177)	329.63 (8.831)	1076.78 (28.849)	1977.77 (52.987)	
	0.90 (13.05)		34.52 (0.925)	86.30 (2.312)	647.26 (17.341)	2114.38 (56.647)	-		
	3.70 (53.66)		95.29 (2.553)	238.23 (6.382)	1786.69 (47.868)	-	-		
	10.00 (145)		241.89 (6.481)	604.73 (16.202)	-	-	-		

Specifications

Table 8 – 174-1 Pressure Reducing Capacities (cont.)

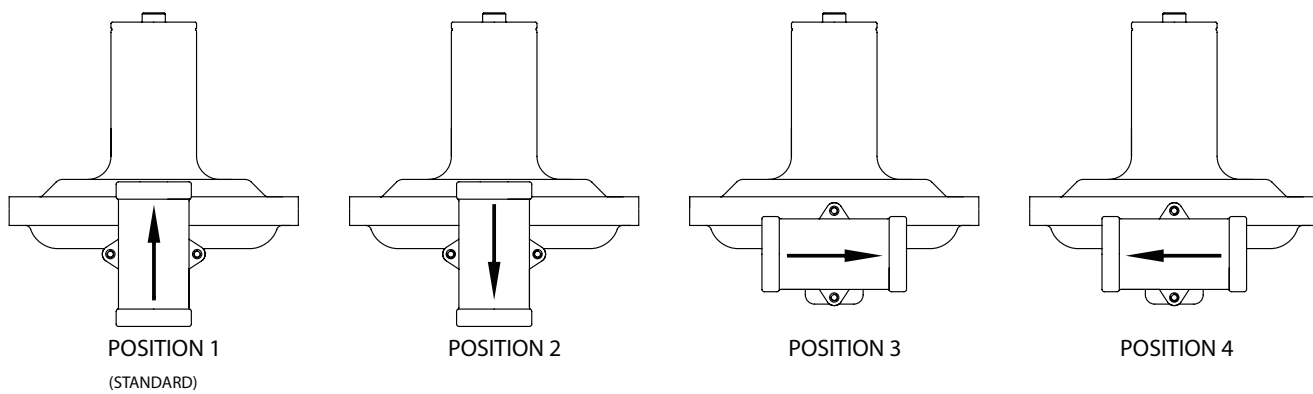
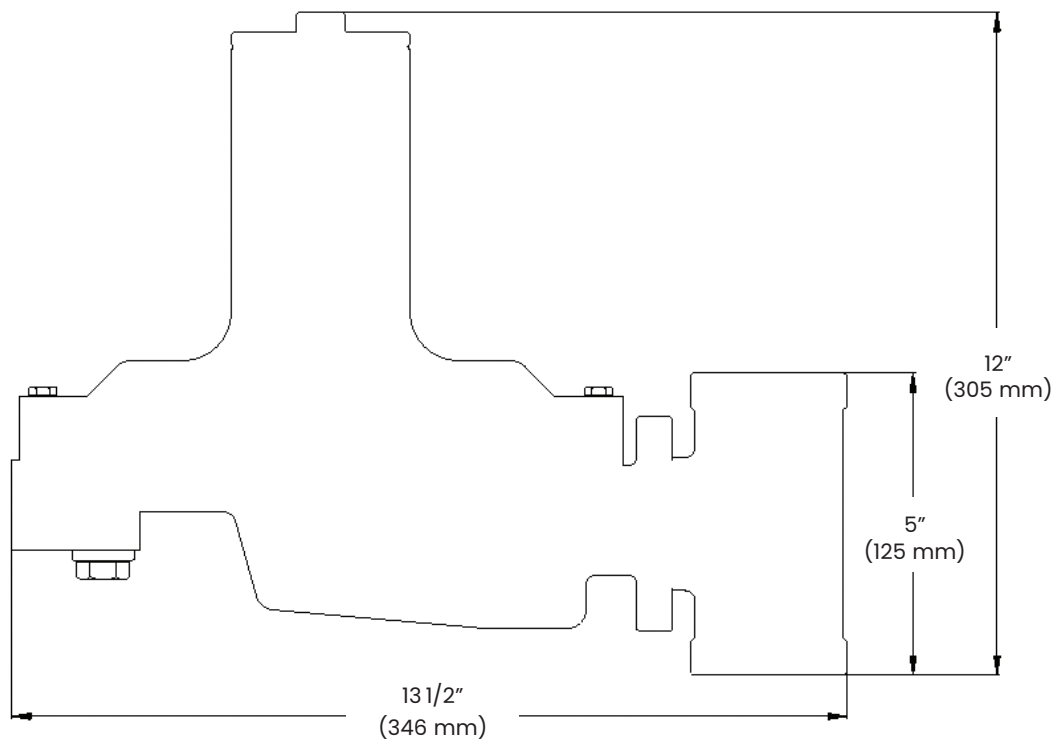
Outlet Pressure Range Spring Code	Offset From Setpoint	Outlet Pressure Setting	Maximum Inlet Pressure PSIG (barg)	Capacities in SCFH (Nm ³ /h)				
				Orifice Size (mm)				
				1	2	4	8	14
25 to 39 inches w.c. (62 to 98 mbar), 43 12 UBB08	10.24 inches w.c. (26 mbar)	25 inchesw.c. (62 mbar)	0.50 (7.25)	24.16 (0.647)	60.41 (1.618)	453.08 (12.139)	1480.04 (39.652)	2718.45 (72.831)
			1.50 (21.76)	47.69 (1.278)	119.23 (3.194)	894.23 (23.958)	2921.16 (78.262)	-
			6.30 (91.37)	155.74 (4.172)	389.34 (10.431)	2920.07 (78.233)	-	-
		10.00 (145)	241.89 (6.481)	604.73 (16.202)	-	-	-	
		39 inchesw.c. (98 mbar)	0.50 (7.25)	23.45 (0.628)	58.63 (1.571)	439.75 (11.782)	1436.51 (38.486)	2638.49 (70.689)
			1.50 (21.76)	47.53 (1.273)	118.83 (3.184)	891.21 (23.877)	2911.29 (77.998)	-
	6.30 (91.37)		155.29 (4.160)	388.22 (10.401)	2911.63 (78.006)	-	-	
	10.00 (145)	241.45 (6.469)	603.63 (16.172)	-	-	-		
	1.4 to 2.8 psig (0.098 to 0.19 barg) 43 12 UBB09	0.73 psig (0.050 barg)	1.4 psig (0.098 barg)	0.80 (11.60)	31.69 (0.849)	79.23 (2.123)	594.26 (15.921)	1941.23 (52.008)
2.50 (36.26)				67.68 (1.813)	169.19 (4.533)	1268.91 (33.996)	4145.11 (111.053)	-
10.00 (145)				241.45 (6.469)	603.63 (16.172)	4527.24 (121.291)	-	-
2.8 psig (0.19 barg)			0.80 (11.60)	30.42 (0.815)	76.04 (2.037)	570.32 (15.280)	1863.02 (49.913)	3421.88 (91.677)
			2.50 (36.26)	67.59 (1.811)	168.96 (4.527)	1267.23 (33.951)	4139.62 (110.906)	-
			10.00 (145)	240.33 (6.439)	600.82 (16.097)	4506.16 (120.726)	-	-
2.8 to 4.4 psig (0.19 to 0.30 barg) 43 12 UBB10	1.12 psig (0.077 barg)	2.8 psig (0.19 barg)	0.80 (11.60)	30.42 (0.815)	76.04 (2.037)	570.32 (15.280)	1863.02 (49.913)	3421.88 (91.677)
			2.70 (39.16)	71.53 (1.916)	178.82 (4.791)	1341.15 (35.931)	4381.08 (117.375)	-
			10.00 (145)	240.33 (6.439)	600.82 (16.097)	4506.16 (120.726)	-	-
		4.4 psig (0.30 barg)	0.80 (11.60)	28.48 (0.763)	71.21 (1.908)	534.05 (14.308)	1744.57 (46.740)	3204.32 (85.848)
			2.70 (39.16)	71.39 (1.913)	178.47 (4.781)	1338.53 (35.861)	4372.53 (117.146)	-
			10.00 (145)	238.98 (6.403)	597.44 (16.006)	4480.81 (120.047)	-	-
4.4 to 8.8 psig (0.30 to 0.61 barg) 43 12 UBB12	2.7 psig (0.180 barg)	4.4 psig (0.30 barg)	1.60 (23.2)	48.50 (1.300)	121.24 (3.248)	909.32 (24.362)	2970.43 (79.582)	5455.90 (146.171)
			5.00 (72.52)	122.46 (3.281)	306.15 (8.202)	2296.1 (61.516)	7500.59 (200.951)	-
			10.00 (145)	238.98 (6.403)	597.44 (16.006)	4480.81 (120.047)	-	-
		8.8 psig (0.61 barg)	1.60 (23.2)	45.44 (1.217)	113.60 (3.044)	852.02 (22.827)	2783.26 (74.567)	5112.10 (136.96)
			5.00 (72.52)	118.35 (3.171)	295.88 (7.927)	2219.09 (59.452)	7249.02 (194.211)	-
			10.00 (145)	235.13 (6.300)	587.82 (15.748)	4408.62 (118.113)	-	-

Specifications

Table 9 - 174-7 Pressure Relief Capacities

Outlet Pressure Range Spring Code	Offset From Setpoint	Outlet Pressure Setting	Maximum Inlet Pressure PSIG (barg)	Capacities in SCFH (Nm ³ /h)				
				Orifice Size (mm)				
				1	2	4	8	14
1.4 to 2.2 inches w.c. (3.4 to 5.5 mbar), 43 12 UBB02	0.4 inches w.c. (1 mbar)	1.4 inches w.c. (3.4 mbar)	0.00	1.14 (0.031)	6.01 (0.161)	31.48 (0.843)	116.59 (3.124)	213.41 (5.718)
		2.2 inches w.c. (5.5 mbar)	0.00	1.56 (0.042)	8.06 (0.216)	41.66 (1.116)	153.02 (4.100)	279.17 (7.479)
2.2 to 3.7 inches w.c. (5.5 to 9.3 mbar), 43 12 UBB03	0.8 inches w.c. (2 mbar)	2.2 inches w.c. (5.5 mbar)	0.00	1.56 (0.042)	8.06 (0.216)	41.66 (1.116)	153.02 (4.100)	279.17 (7.479)
		3.7 inches w.c. (9.3 mbar)	0.00	2.18 (0.058)	11.07 (0.297)	56.48 (1.513)	205.77 (5.513)	367.45 (9.844)
3.7 to 8.8 inches w.c. (9.3 to 22 mbar), 43 12 UBB05	2 inches w.c. (5 mbar)	3.7 inches w.c. (9.3 mbar)	0.00	2.18 (0.058)	11.07 (0.297)	56.48 (1.513)	205.77 (5.513)	367.45 (9.844)
		8.8 inches w.c. (22 mbar)	0.00	3.73 (0.100)	18.53 (0.496)	92.83 (2.487)	321.22 (8.606)	565.35 (15.147)
8.8 to 13.6 inches w.c. (22 to 34 mbar), 43 12 UBB06	3.15 inches w.c. (8 mbar)	8.8 inches w.c. (22 mbar)	0.00	3.73 (0.100)	18.53 (0.496)	92.83 (2.487)	321.22 (8.606)	565.35 (15.147)
		13.6 inches w.c. (34 mbar)	0.00	4.88 (0.131)	24.01 (0.643)	119.33 (3.197)	399.48 (10.703)	703.09 (18.837)
13.6 to 25 inches w.c. (34 to 62 mbar), 43 12 UBB07	6.8 inches w.c. (17 mbar)	13.6 inches w.c. (34 mbar)	0.00	4.88 (0.131)	24.01 (0.643)	119.33 (3.197)	399.48 (10.703)	703.09 (18.837)
		25 inches w.c. (62 mbar)	0.00	7.06 (0.189)	34.34 (0.920)	161.99 (4.340)	539.97 (14.467)	950.35 (25.461)
25 to 39 inches w.c. (62 to 98 mbar), 43 12 UBB08	10.24 inches w.c. (26 mbar)	25 inches w.c. (62 mbar)	0.00	7.06 (0.189)	34.34 (0.920)	161.99 (4.340)	539.97 (14.467)	950.35 (25.461)
		39 inches w.c. (98 mbar)	0.00	9.37 (0.251)	45.21 (1.211)	203.96 (5.464)	679.86 (18.214)	1196.55 (32.057)
1.4 to 2.8 psig (0.098 to 0.19 barg), 43 12 UBB09	0.73 psig (50 mbar)	1.4 psig (0.098 barg)	0.00	9.37 (0.251)	45.21 (1.211)	203.96 (5.464)	679.86 (18.214)	1196.55 (32.057)
		2.8 psig (0.190 barg)	0.00	14.19 (0.380)	64.67 (1.733)	285.31 (7.644)	951.03 (25.479)	1673.81 (44.844)
2.8 to 4.4 psig (0.19 to 0.30 barg), 43 12 UBB10	1.12 psig (77 mbar)	2.8 psig (0.19 barg)	0.00	14.19 (0.380)	64.67 (1.733)	285.31 (7.644)	951.03 (25.479)	1673.81 (44.844)
		4.4 psig (0.30 barg)	0.00	19.07 (0.511)	81.82 (2.192)	360.99 (9.671)	32.238 (1203.30)	2117.81 (56.739)

Dimensions



Body – Spring Case Orientation

Direct Sales Office Locations

Australia

Brisbane
Phone: +61-7-3001-4319

Perth
Phone: +61-8-6595-7018

Melbourne
Phone: +61-3-8807-6002

Brazil

Phone: +55-19-2104-6900

China

Phone: +86-10-5738-8888

France

Courbevoie
Phone: +33-1-4904-9000

India

Mumbai
Phone: +91-22-8354790

New Delhi

Phone: +91-11-2-6164175

Italy

Phone: +39-081-7892-111

Japan

Tokyo
Phone: +81-03-6871-9008

Korea

Phone: +82-2-2274-0748

Malaysia

Phone: +60-3-2161-03228

Mexico

Phone: +52-55-3640-5060

Russia

Veliky Novgorod
Phone: +7-8162-55-7898

Moscow

Phone: +7-495-585-1276

Saudi Arabia

Phone: +966-3-341-0278

Singapore

Phone: +65-6861-6100

South Africa

Phone: +27-11-452-1550

South & Central America and the Caribbean

Phone: +55-12-2134-1201

Spain

Phone: +34-935-877-605

United Arab Emirates

Phone: +971-4-8991-777

United Kingdom

Phone: +44-7919-382-156

United States

Houston, Texas

Phone: +1-713-966-3600

Find the nearest local Channel Partner in your area:
valves.bakerhughes.com/contact-us

Tech Field Support & Warranty:

Phone: +1-866-827-5378
valvesupport@bakerhughes.com

valves.bakerhughes.com

Copyright 2020 Baker Hughes Company. All rights reserved. Baker Hughes provides this information on an "as is" basis for general information purposes. Baker Hughes does not make any representation as to the accuracy or completeness of the information and makes no warranties of any kind, specific, implied or oral, to the fullest extent permissible by law, including those of merchantability and fitness for a particular purpose or use. Baker Hughes hereby disclaims any and all liability for any direct, indirect, consequential or special damages, claims for lost profits, or third party claims arising from the use of the information, whether a claim is asserted in contract, tort, or otherwise. Baker Hughes reserves the right to make changes in specifications and features shown herein, or discontinue the product described at any time without notice or obligation. Contact your Baker Hughes representative for the most current information. The Baker Hughes logo and Masonellan are trademarks of Baker Hughes Company. Other company names and product names used in this document are the registered trademarks or trademarks of their respective owners.