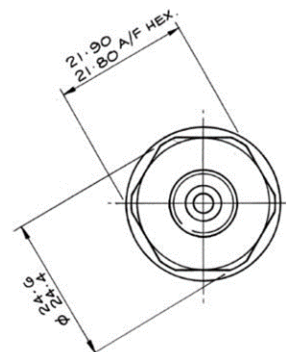
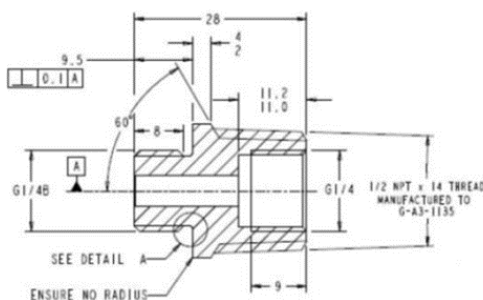
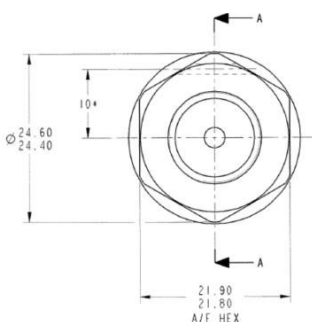




UNIK5000 Pressure Connector endings



Pressure connectors are not normally a big issue for customers; It is normally just a matter of the customer being able to source the mating connector easily hence the regional nature.

- Euro centric Customers normally use G1/4 female
- US centric customers normally use 1/4 NPT
- The automotive industry like 7/16 UNF

Chinese and Eastern Europe like Metric threads M20 and M12

At high pressures (over 70 bar) we would recommend (and most customers prefer) larger stronger threads the G1/4 and 1/4 NPT are offered for these reasons.

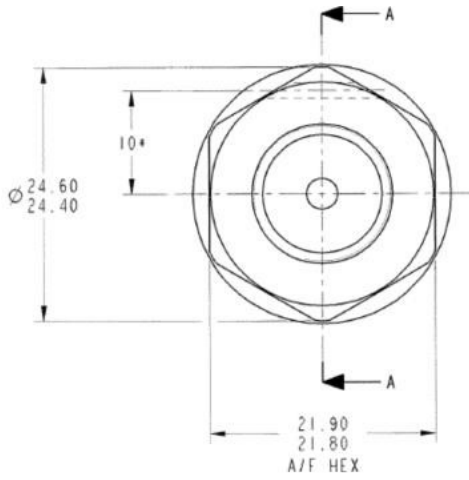
Other Specialist applications require specialist connectors; we have included many of the common ones as standard.

In this document we have the drawings and dimensions of the pressure connector endings. For any other requirement please consult the application engineering team who can advise on whether your request is available or can be made available.

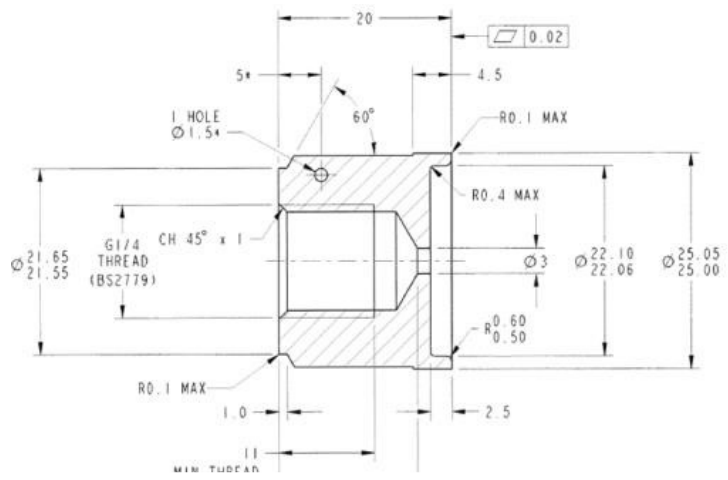
The pressure connectors are listed below.

PA - G1/4 Female	PX - 7/16-20 UNF Male Flat Short
PB - G1/4 Male	PY-3/8-24 UJNF Male
PC- G1/4 Male 60° Int Cone	PZ-M10 x 1 800 Int Cone
PD- G1/8 Male 60° Int Cone	RA-VCR Female
PE- 1/4 NPT Female	RB-G1/4 Male Flat with Snubber
PF- 1/4 NPT Male	RC-G1/4 Male Flat with Cross Bore Protection
PG- 1/8 NPT Male	RD-M12 x 1.0 740 External Cone
PH-M20 x 1.5 Male	RE-Quick release Male
PK- M12 x 1 Male Int Cone	RF-VCR Male
PL-7/16-20 UNJF Male 740 Int Cone	RJ-M20 x 1.5 (8mm Bore)
PN-G1/2 Male Via Adapter	RQ-NW16 Flange
PQ- G1/4 Quick Connect	RT-1/8 NPT Female
PR-1/2NPT Male Via Adapter	RU-R38 Male (PT/8)
PS-G1/4 Swagelok Bulkhead	RV-R1/4 Male (pt1/4)
PT- G1/4 Male Flat Long	RW-G1/4 Male with Nipple
PU- 7/16-20 UNF Male Long 37° Flare Tip	PJ- M20 x 1.5 Male 60° Int Cone
PV-7/16-20 UNF Female	G1/4 Male to Female
PW-Depth Cone	G1/4 Male to Male

PA - G1/4 Female

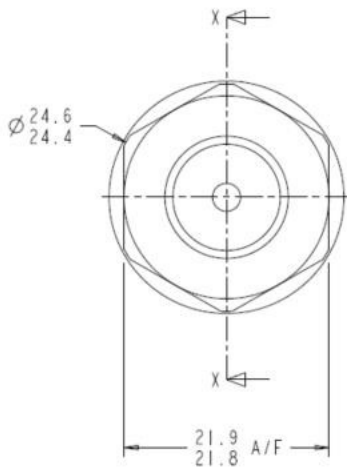


227-240

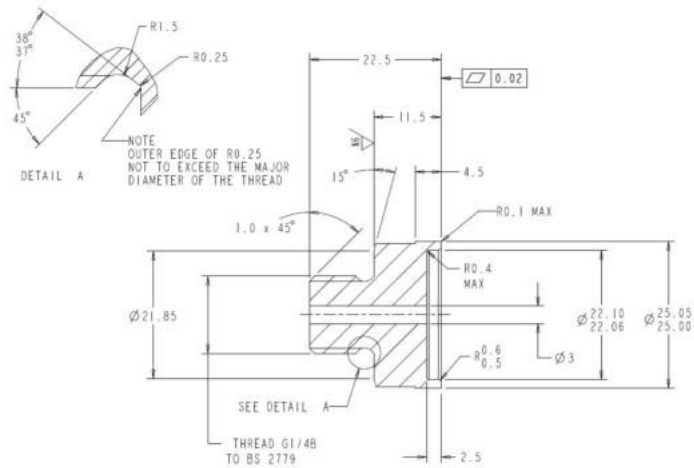


G1/4 Female A-A3-1790\$02C

PB - G1/4 Male

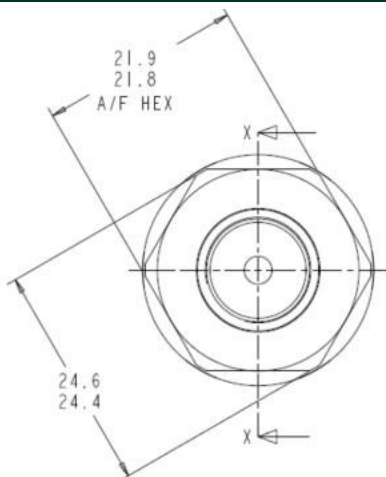


227-229

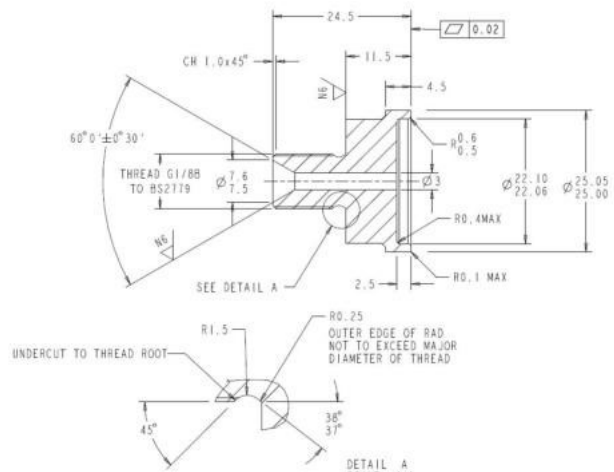


G1/4 Male A-A3-1769\$05B

PC- G1/4 Male 60° Int Cone

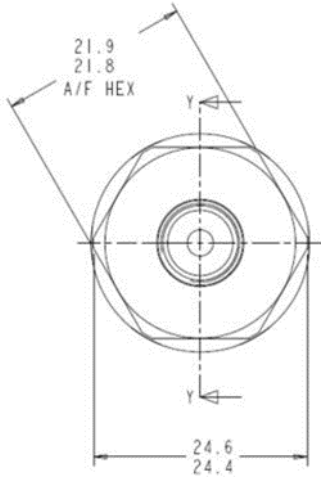


227-232

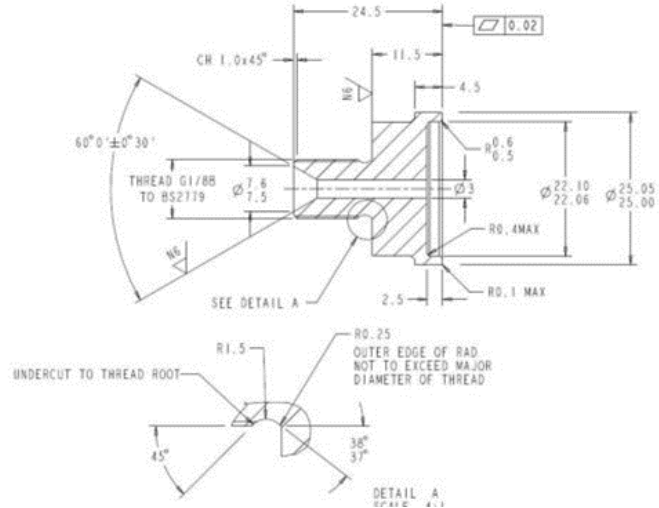


G1/4 Male 60° Int Cone A-A3-1771\$04B

PD- G1/8 Male 60° Int Cone

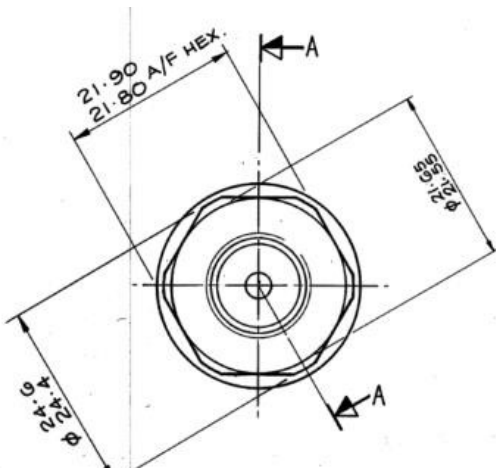


227-231

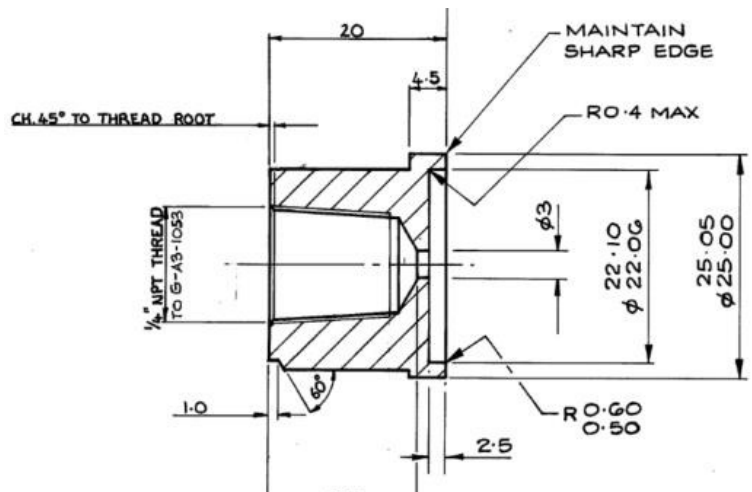


G1/8 Male 60° Int Cone A-A3-1770\$03C

PE- 1/4 NPT Female

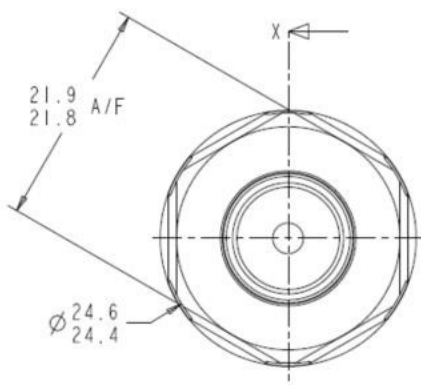


227-241

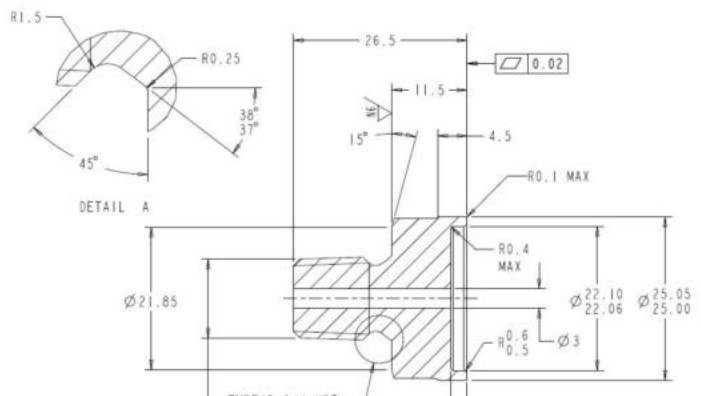


1/4 NPT Female A-A3-1791\$02D

PF- 1/4 NPT Male

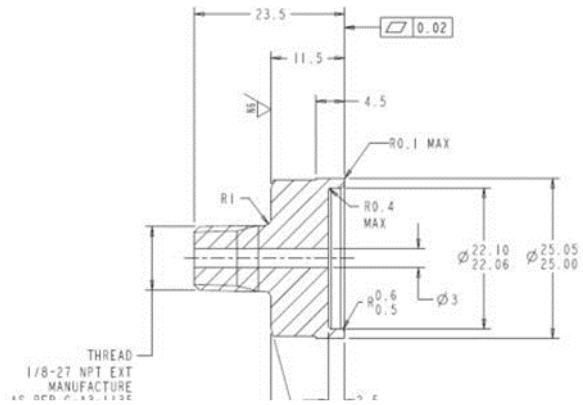
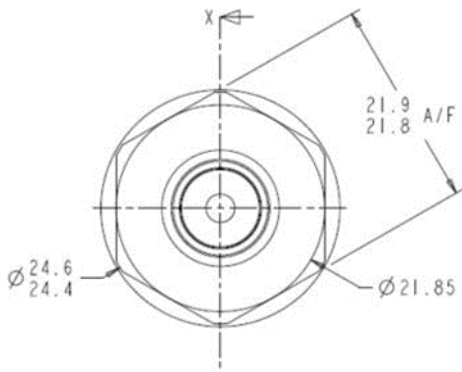


227-233



1/4 NPT Male A-A3-1772\$05B

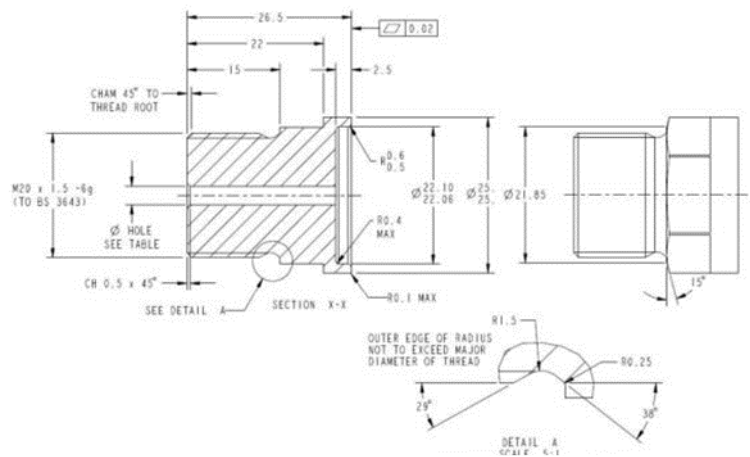
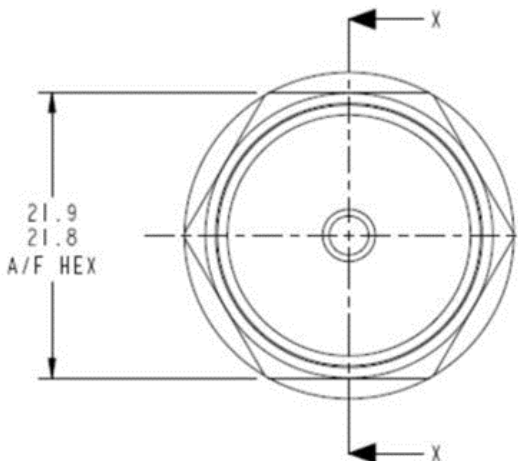
PG- 1/8 NPT Male



227-253

1/8 NPT Male A-A3-1850\$01C

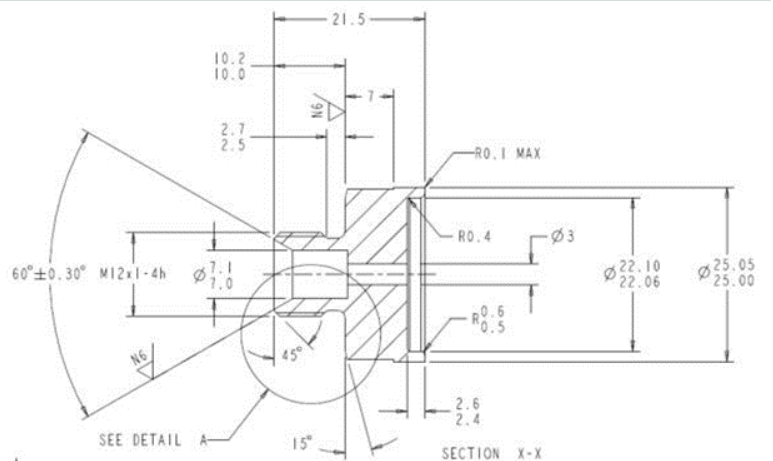
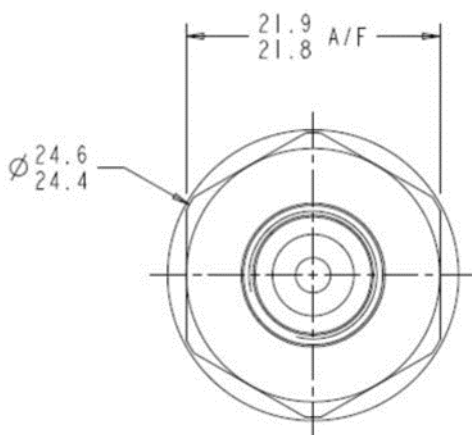
PH-M20 x 1.5 Male



227-904-1

M20x1.5 Male A-A3-5703\$01E

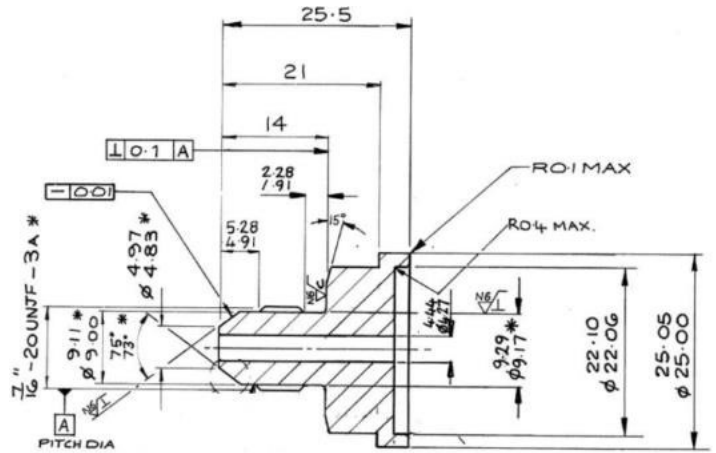
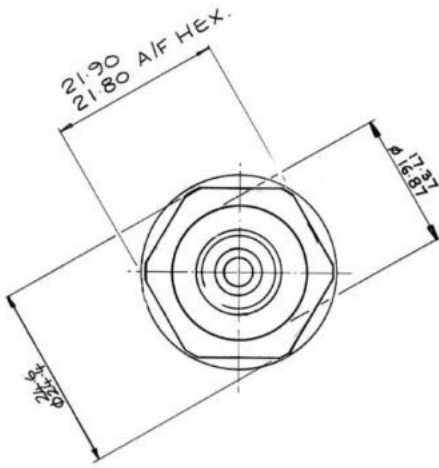
PK- M12 x 1 Male Int Cone



226-365-01

M12x1 Male Int Cone A-A3-7974\$01B

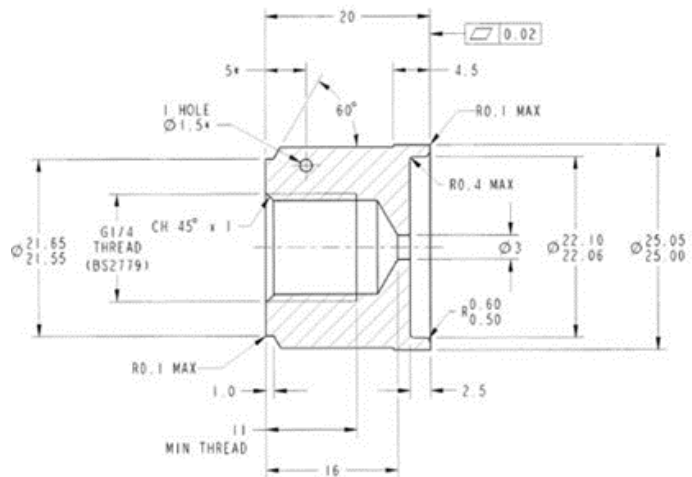
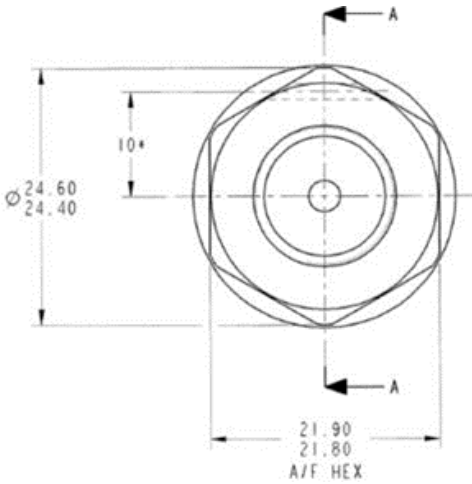
PL-7/16-20 UNJF Male 74° Int Cone



227-209-05

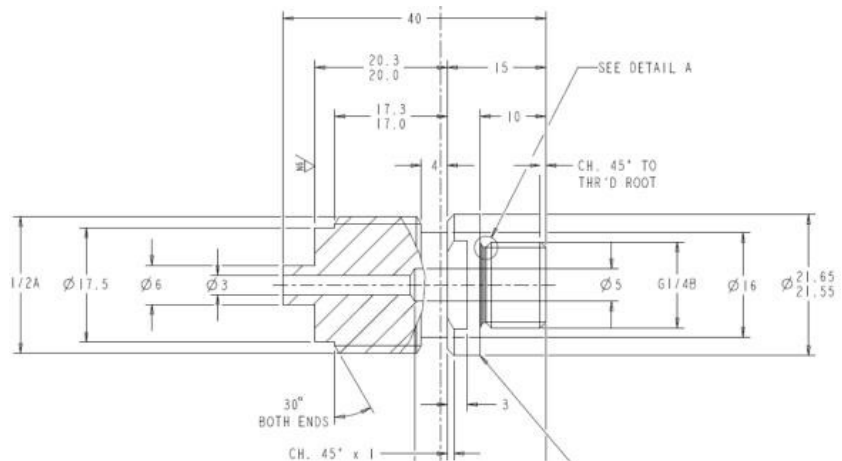
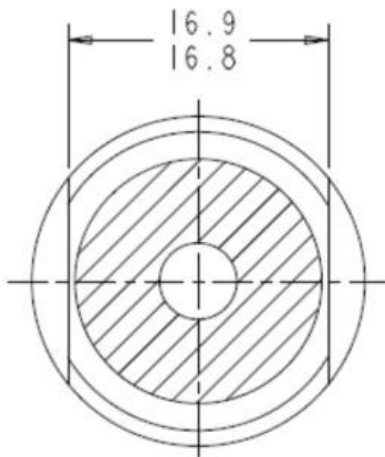
7/16-20 UNJF Male 74° Int Cone A-A3-1675\$05C

PN-G1/2 Male Via Adapter



227-240

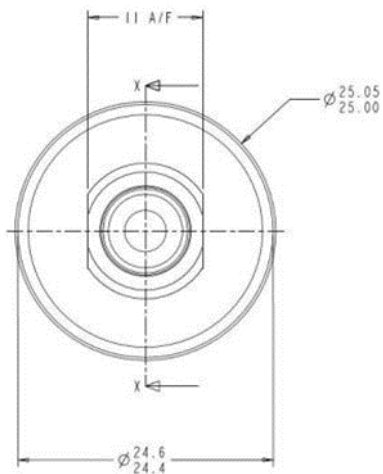
Conn G1/4 Female D25 316 Push D A-A3-1790\$02C



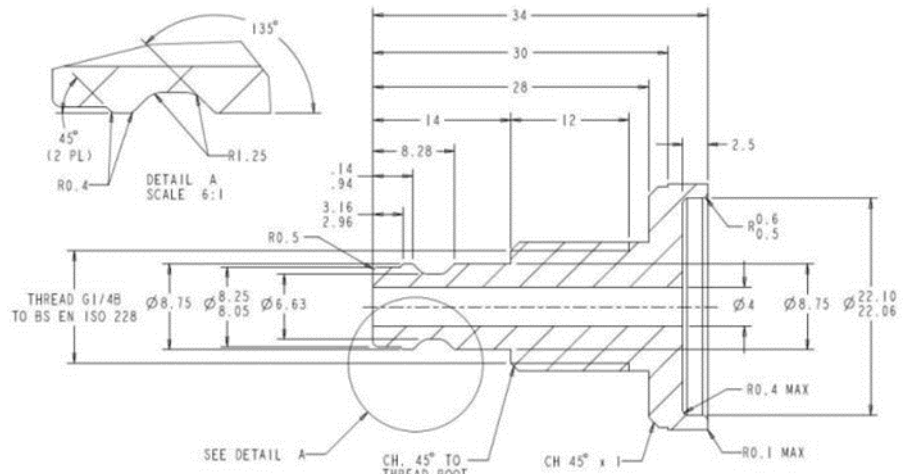
190-039

Adapter Core G1/4 to G1/2a A-A4-1950\$01C
204-068 Seal Bonded G1/4

PQ— G1/4 Quick Connect

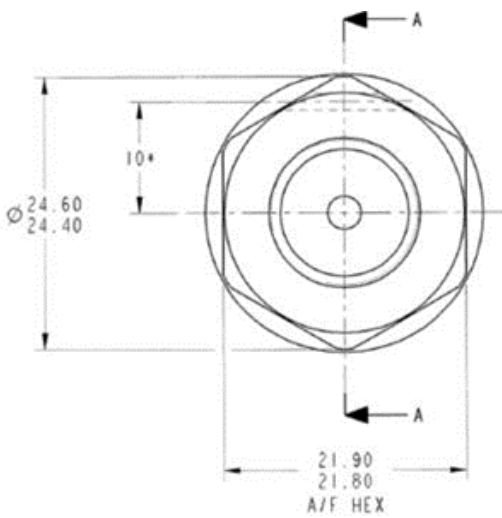


226-361-01



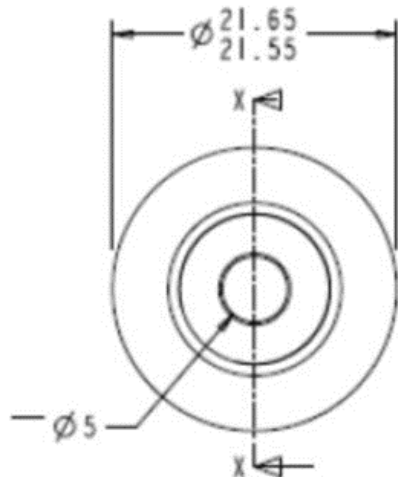
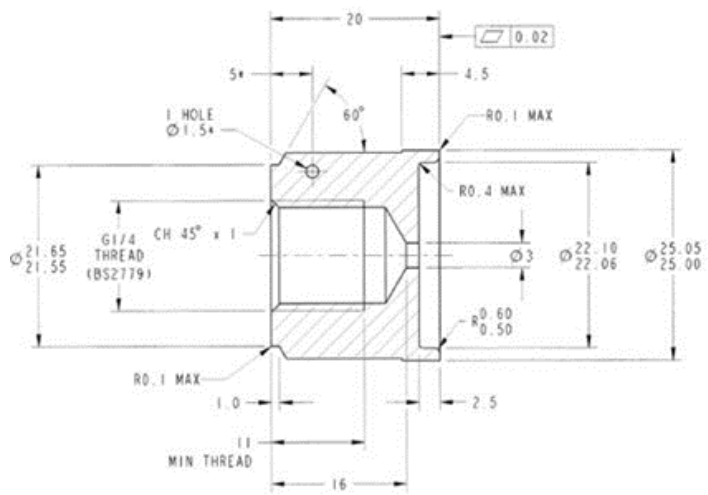
G1/4 Quick Connect A-A4-9058

PR—1/2NPT Male Via Adapter



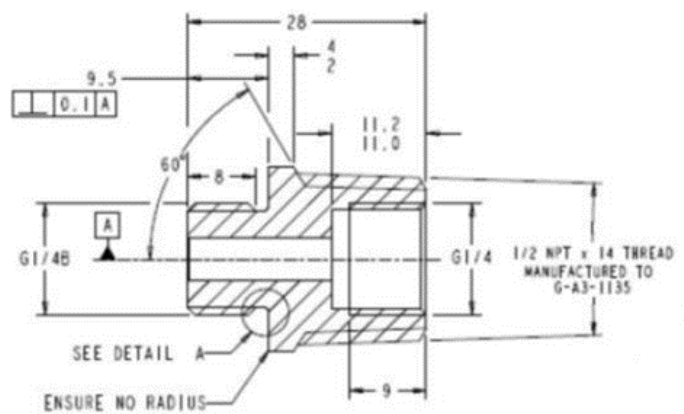
227-240

Conn G1/4 Female D25 316 Push D A-A3-1790\$02C

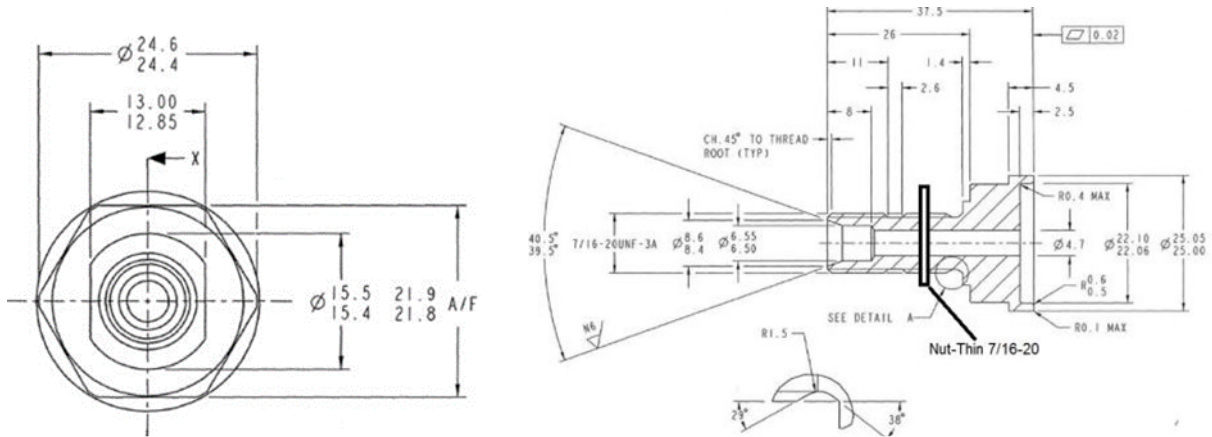


190-233-01

Adapter Core G1/4 to 1/2NPTM A-A4-5511\$01F
204-068 Seal Bonded G1/4

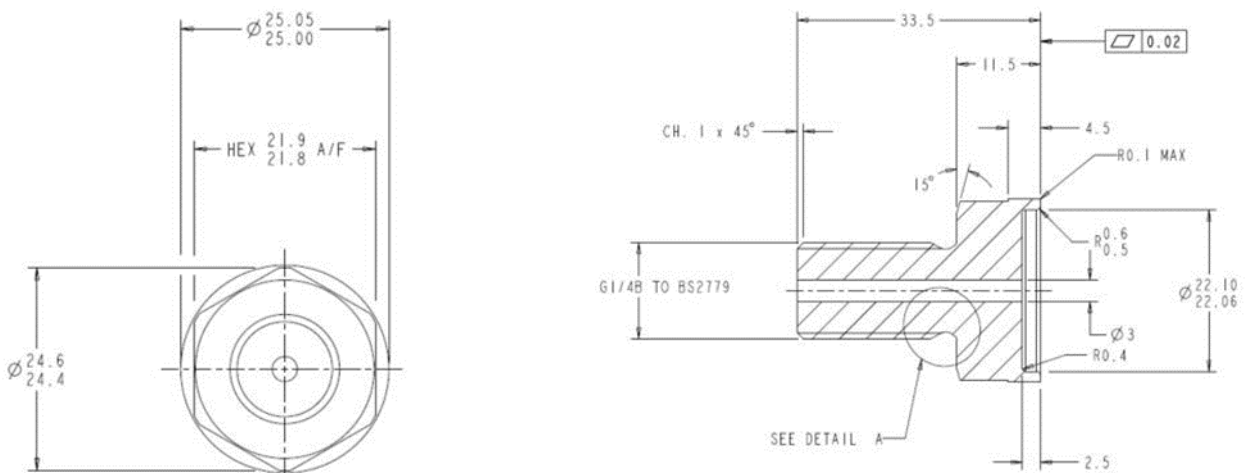


PS—G1/4 Swagelok Bulkhead



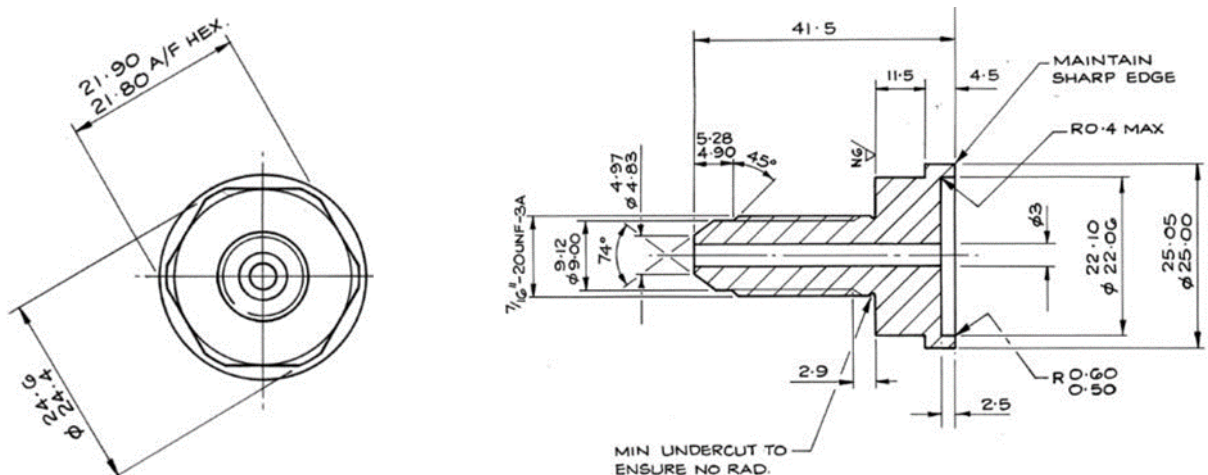
227-569-02 Conn 7/16 UNF Bulkhead ¼ Swagelok A-A3-3811\$01A
092-003 Nut- Thin 7/16-20 UNF-2b

PT— G1/4 Male Flat Long



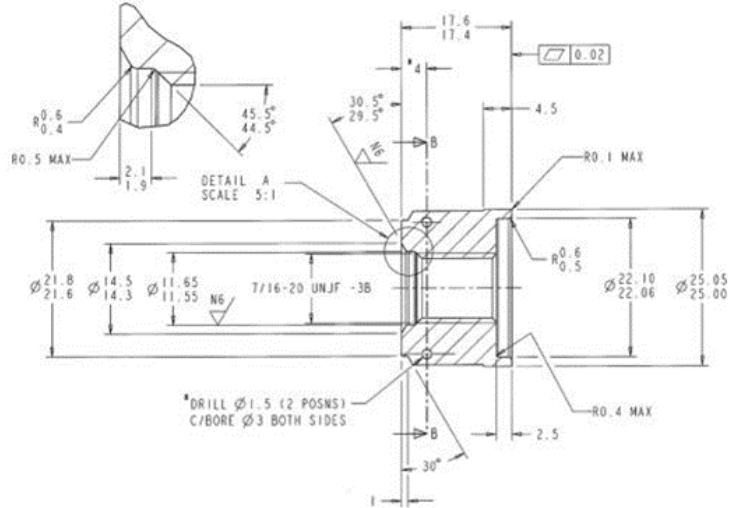
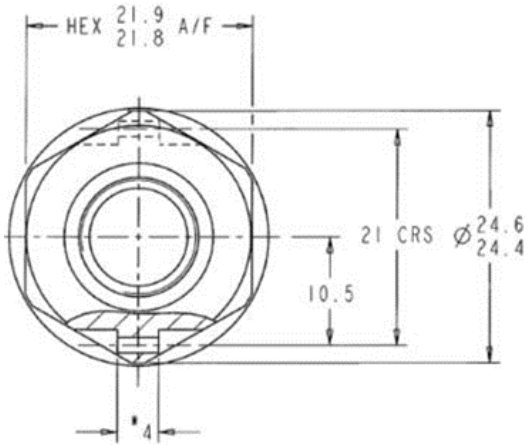
226-101-01 G1/4 Male Flat Long A-A3-7213\$01C

PU- 7/16-20 UNF Male Long 37° Flare Tip



227-265 7/16-20 UNF Male Long 37° Flare Tip A-A3-1878\$1

PV-7/16-20 UNF Female

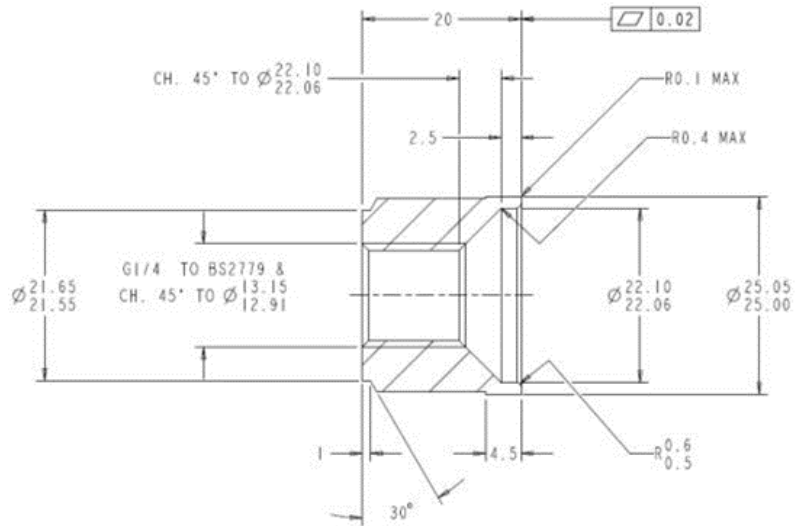
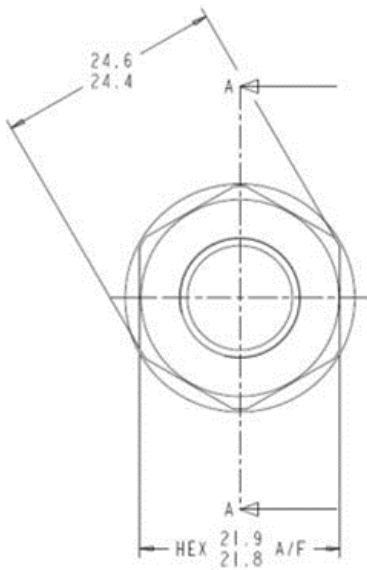


227-251-03

7/16-20 UNF Female

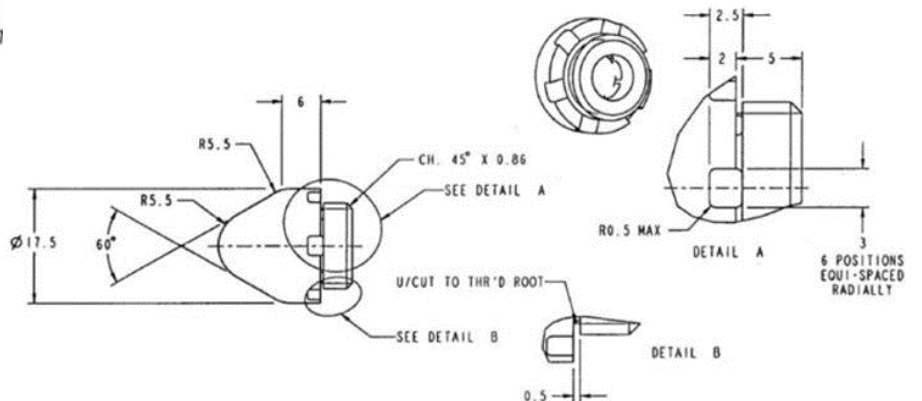
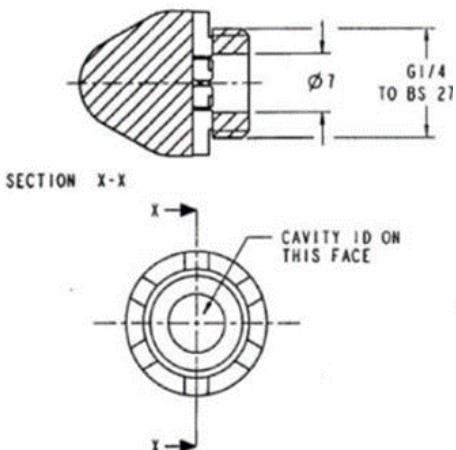
A-A3-1847\$03E

PW-Depth Cone



227-240

Conn G1/4 Female D25 316 Push D A-A3-1790\$02C

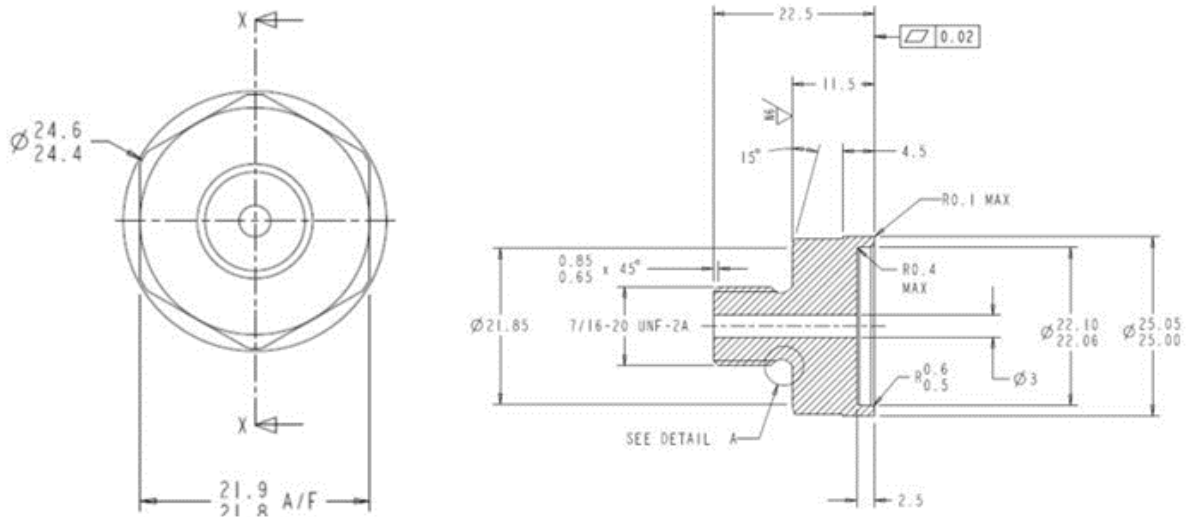


222-112-01

Depth Cone D17.5 G1/4

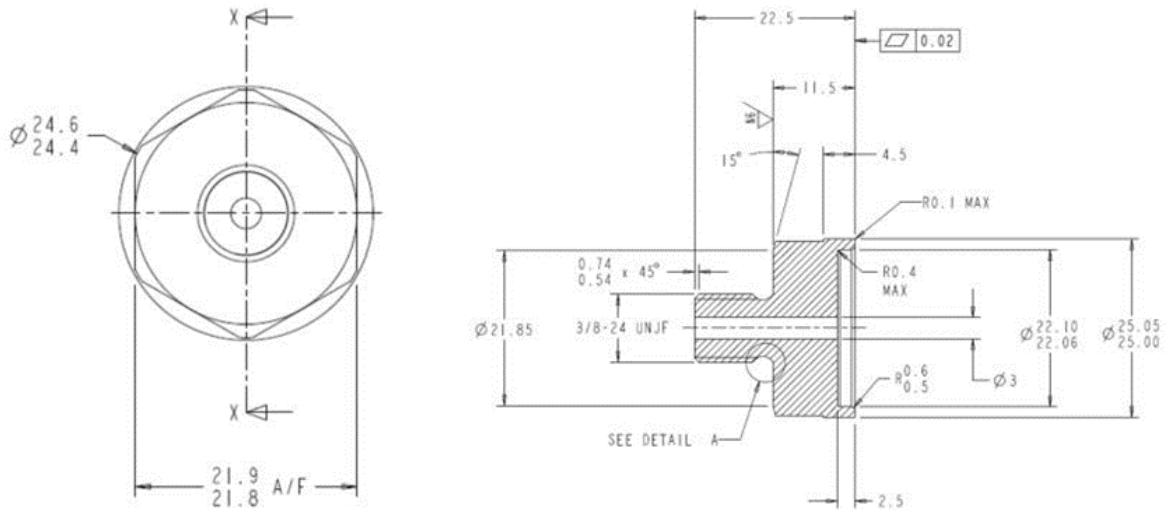
H-A3-1270\$01A

PX-7/16-20 UNF Male Flat Short



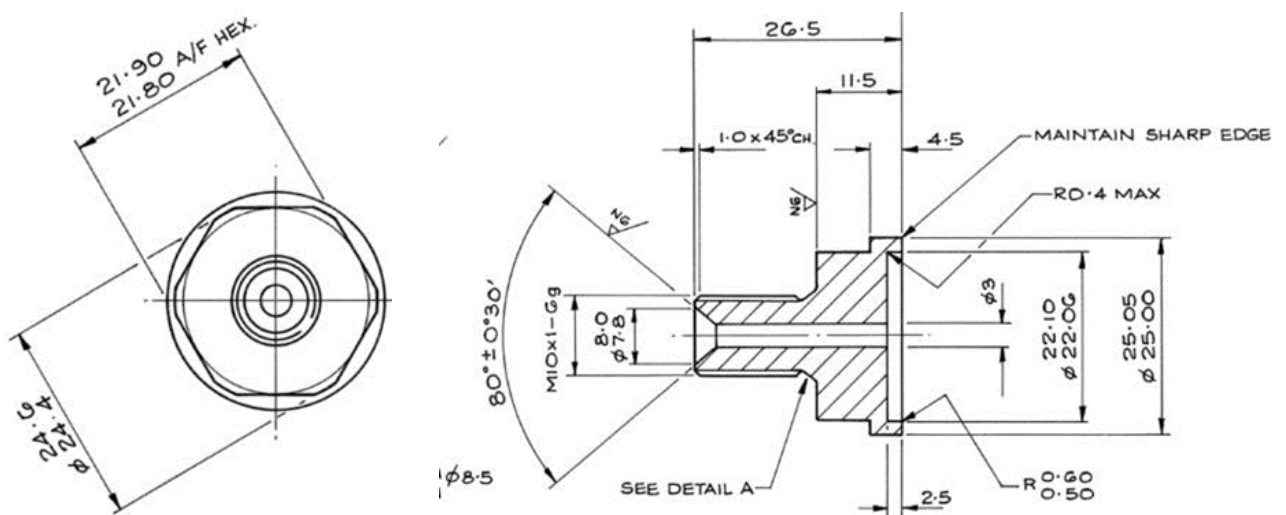
226-373-01 7/16-20 UNF Male Flat Short A-A3-7994\$01A

PY-3/8-24 UJNF Male



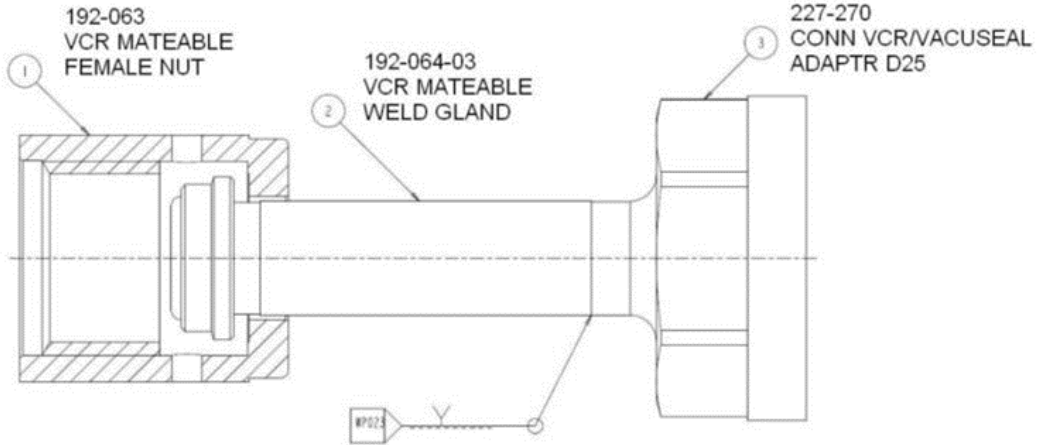
226-367-01 3/8-24 UJNF Male A-A3-7979\$01A

PZ-M10 x 1 80° Int Cone



227-315 M10 x 1 80° Int Cone A-A3-1989\$2

RA—VCR Female



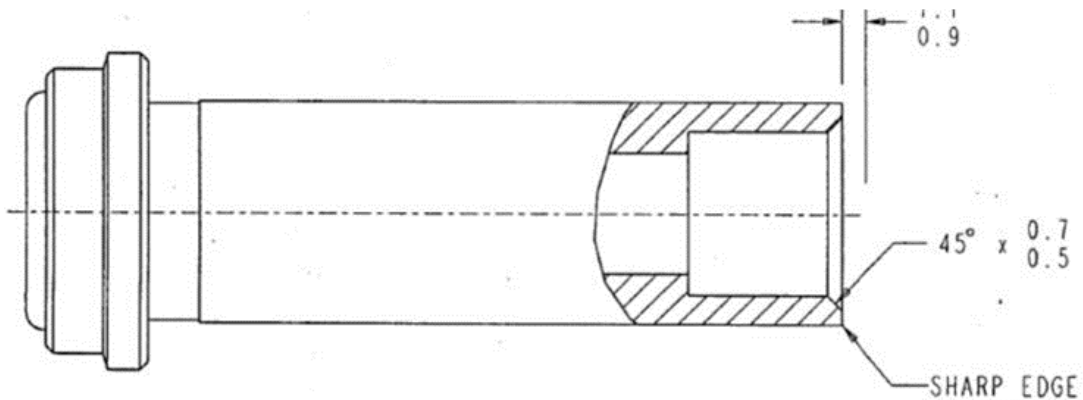
DA6831-1-01 VCR Female

A-A3-6831\$01A



General	
Body Material	316 Stainless Steel
Cleaning Process	Standard Cleaning and Packaging (SC-10)
Connection 1 Size	1/4 in.
Connection 1 Type	Female VCR® Metal Gasket Face Seal Split-Nut
eClass (4.1)	37020718
eClass (6.0)	23-11-07-00
UNSPSC (11.0501)	31161700
UNSPSC (4.03)	31161700
UNSPSC (SWG01)	31161700

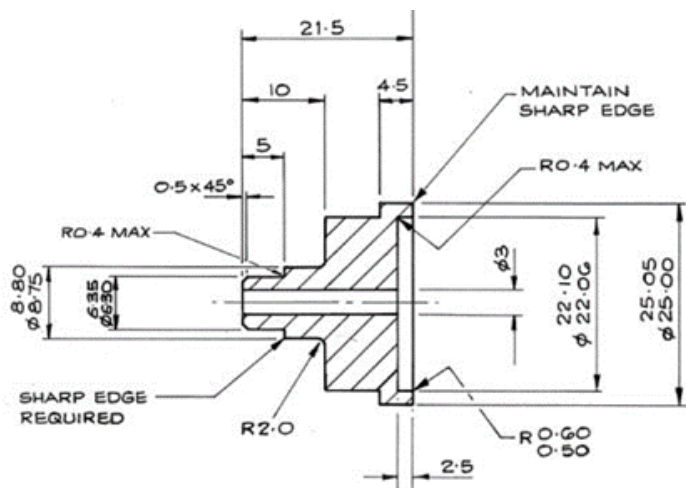
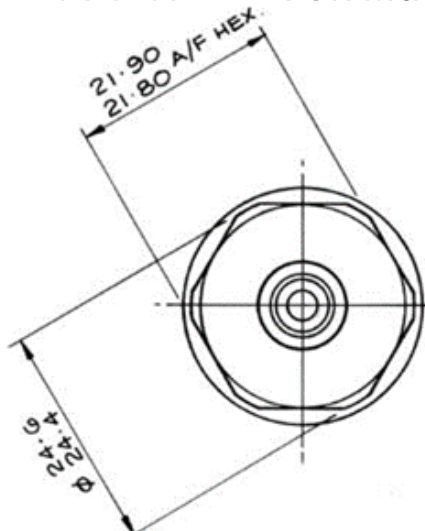
192-063 VCR Mateable Female Nut



192-064-01

VCR Mateable Weld Gland

A-A4-1504\$03A

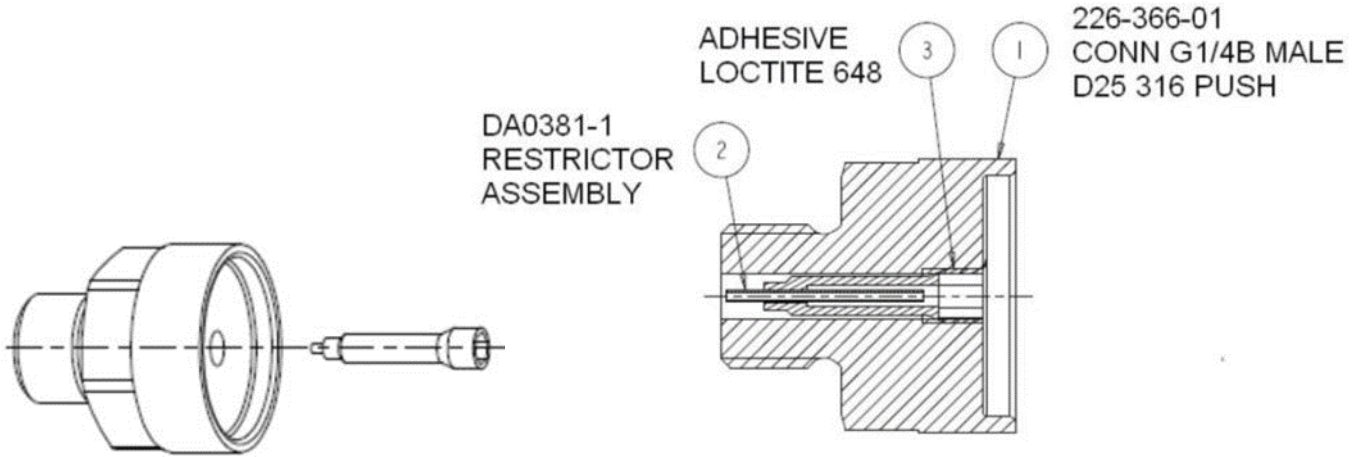


227-270

Conn VCR Vacuseal Adapter D25

A-A3-1886\$2

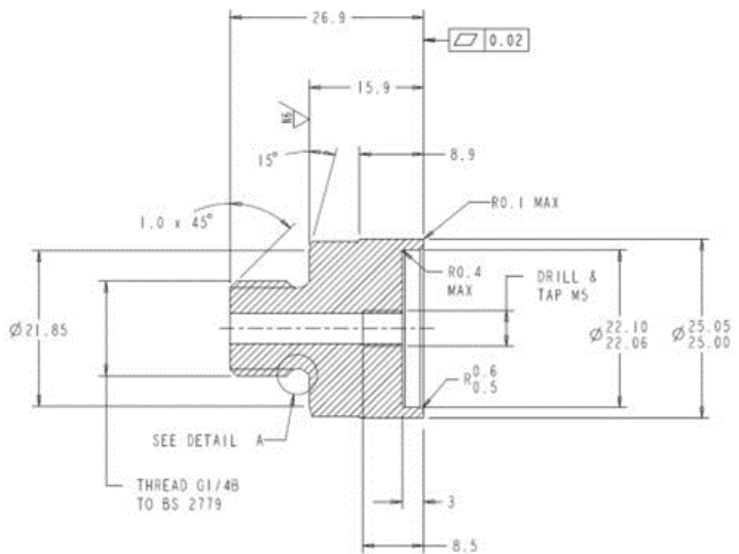
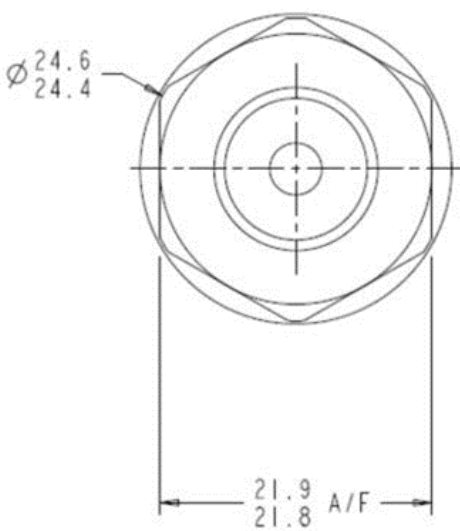
RB—G1/4 Male Flat with Snubber



DA6826-1-01

G1/4 Male Flat with Snubber

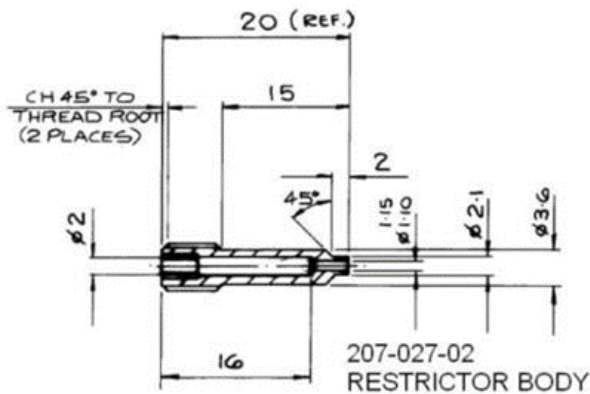
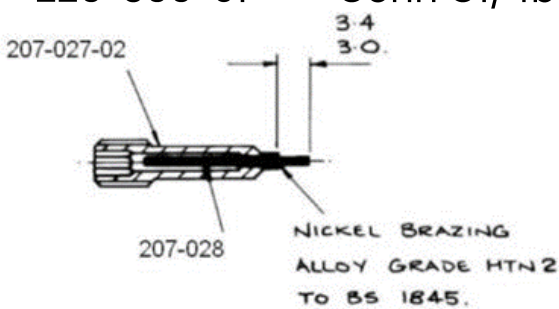
A-A3-6826\$01A



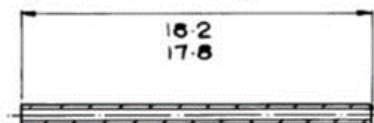
226-366-01

Conn G1/4b Male D25 316 Push

A-A3-7980\$01A



STAINLESS STEEL GRADE 304
TUBE. 1-10 OUTSIDE DIAMETER
0.685 INSIDE DIAMETER.
(GAUGE No. 19)



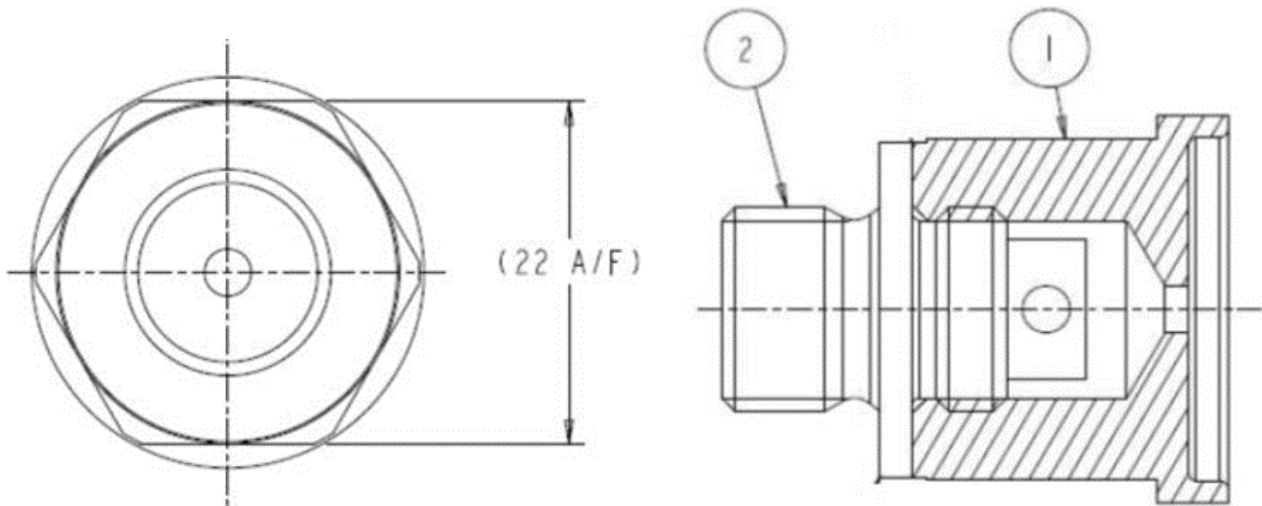
207-028
RESTRICTOR TUBE

DA0318-1

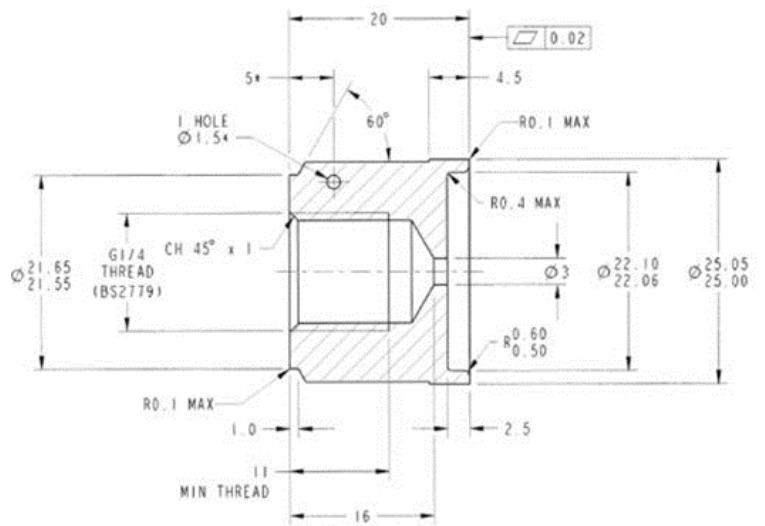
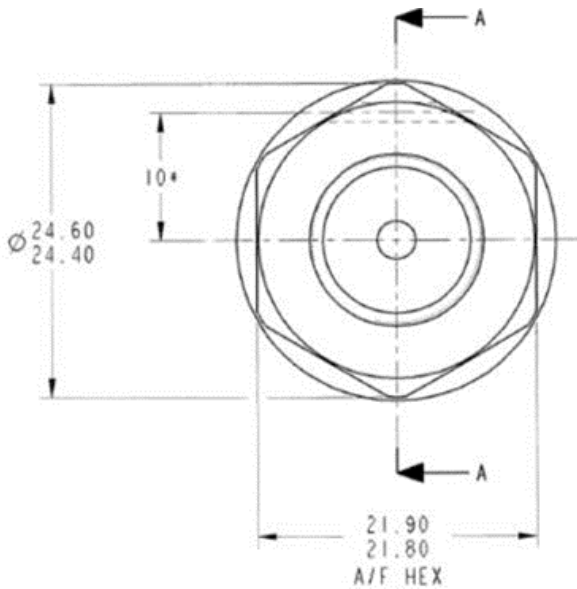
Restrictor Assembly

A-A4-0318\$01B

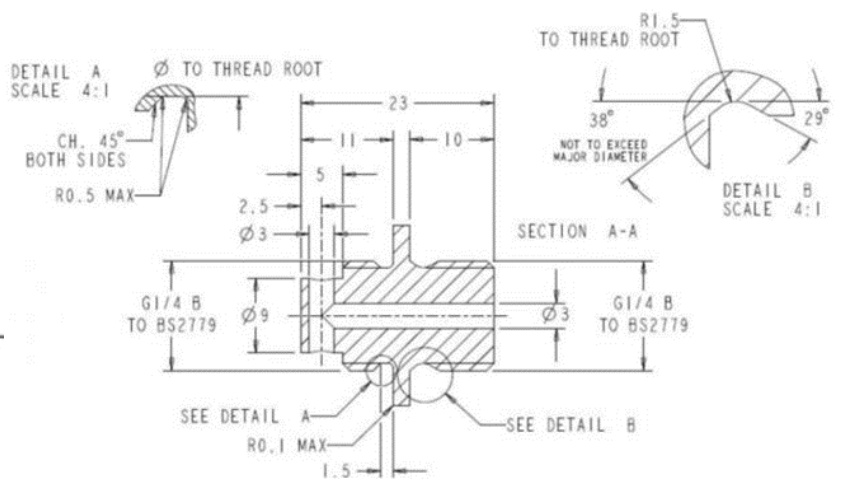
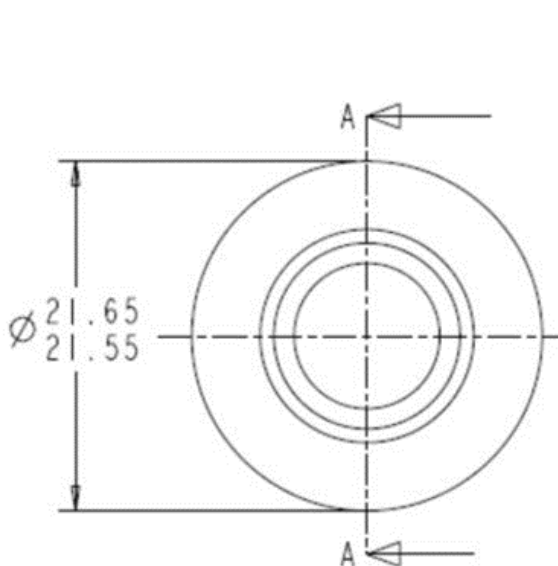
RC—G1/4 Male Flat with Cross Bore Protection



DA6967-1-01 G1/4 Male Flat With Cross Bore Protection A-A4-6967

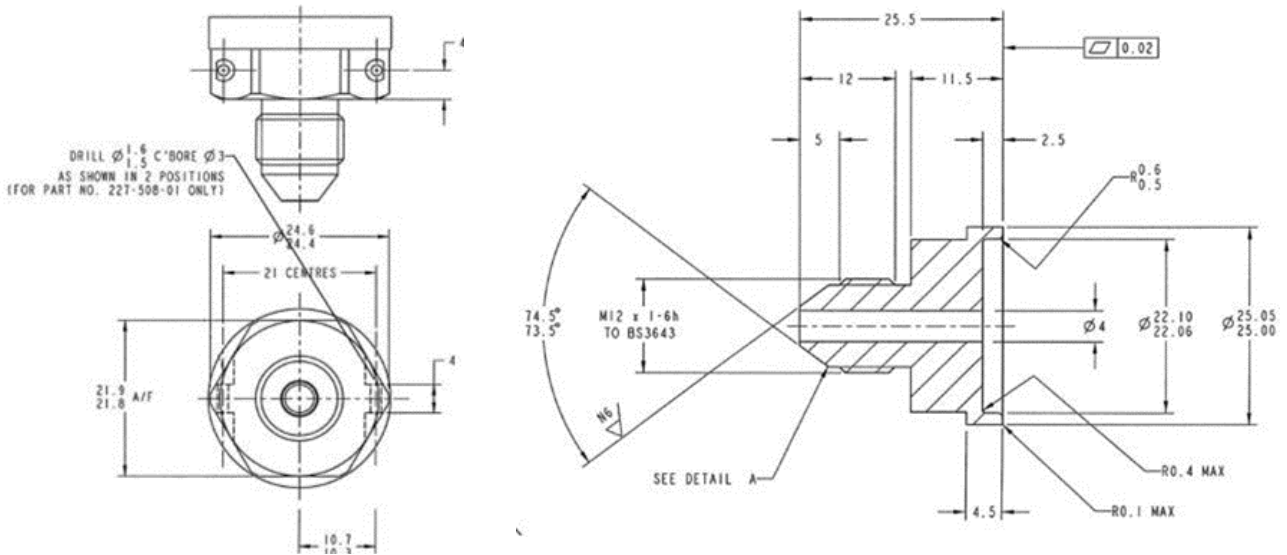


227-240 Conn G1/4 Female D25 316 Push A-A3-1709\$02C



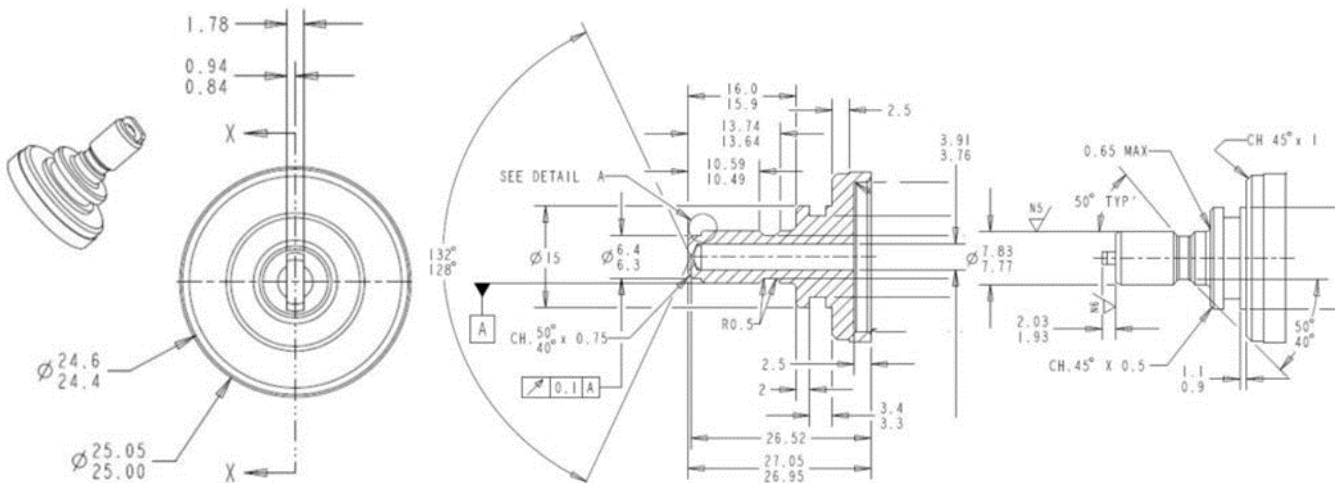
190-669-01 Adapter Core G1/4 Male to G1/4 Male A-A4-9055\$01A

RD—M12 x 1.0 74° External Cone



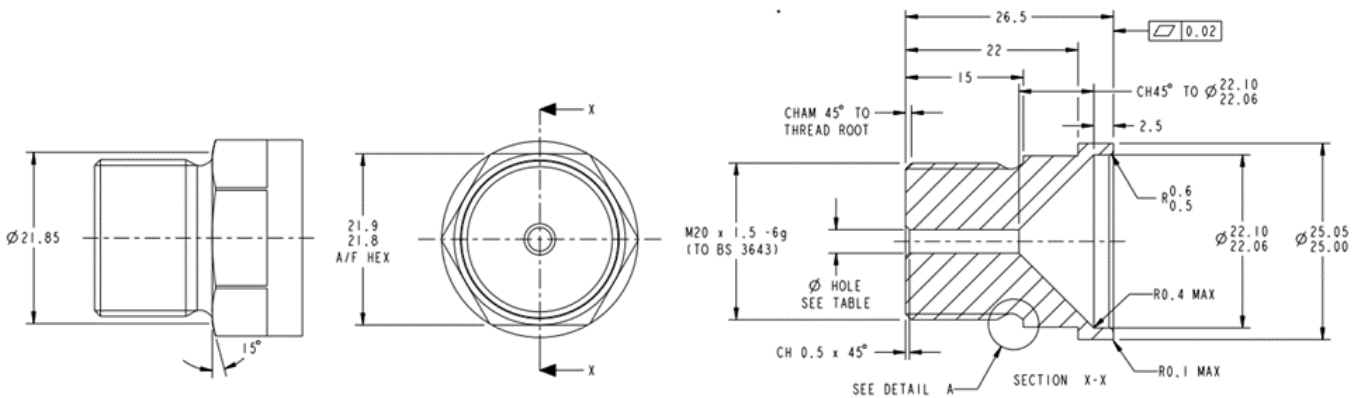
227-508-01 M12 X 1.0 74° External Cone A-A3-3617\$01B

RE—Quick release Male



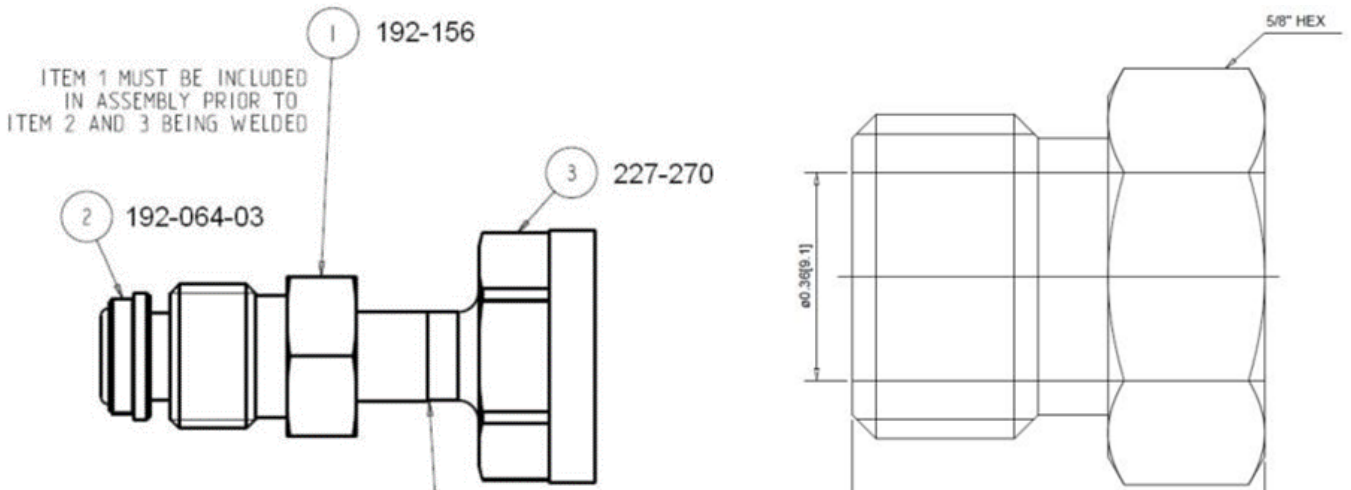
226-654-01 Quick Release Male A-A3-9063\$01A

RJ—M20 x 1.5 (8mm Bore)



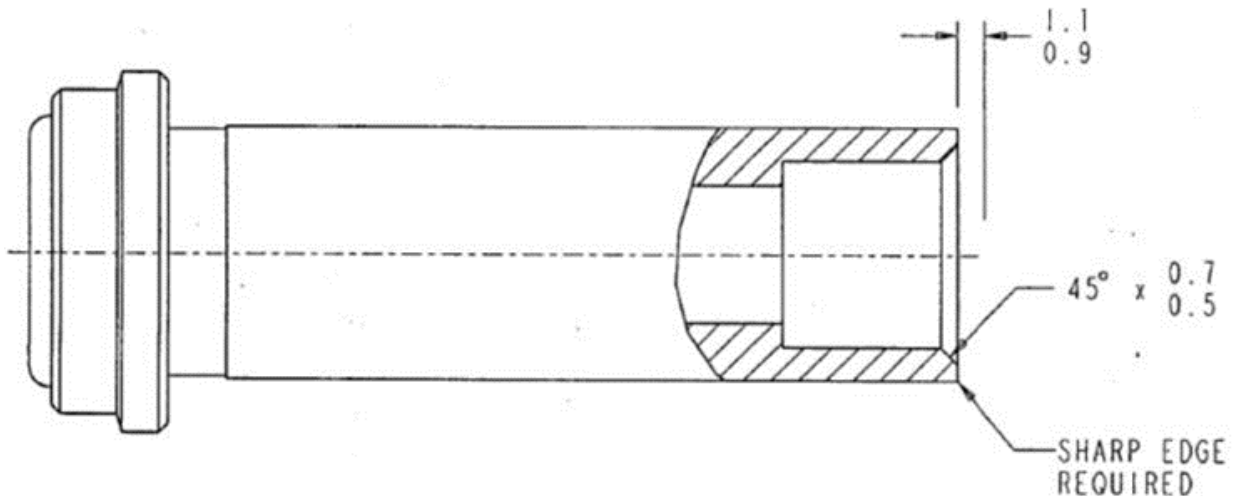
112M1024-1 M20 X 1.5 (8mm Bore) 112M1024

RF—VCR Male

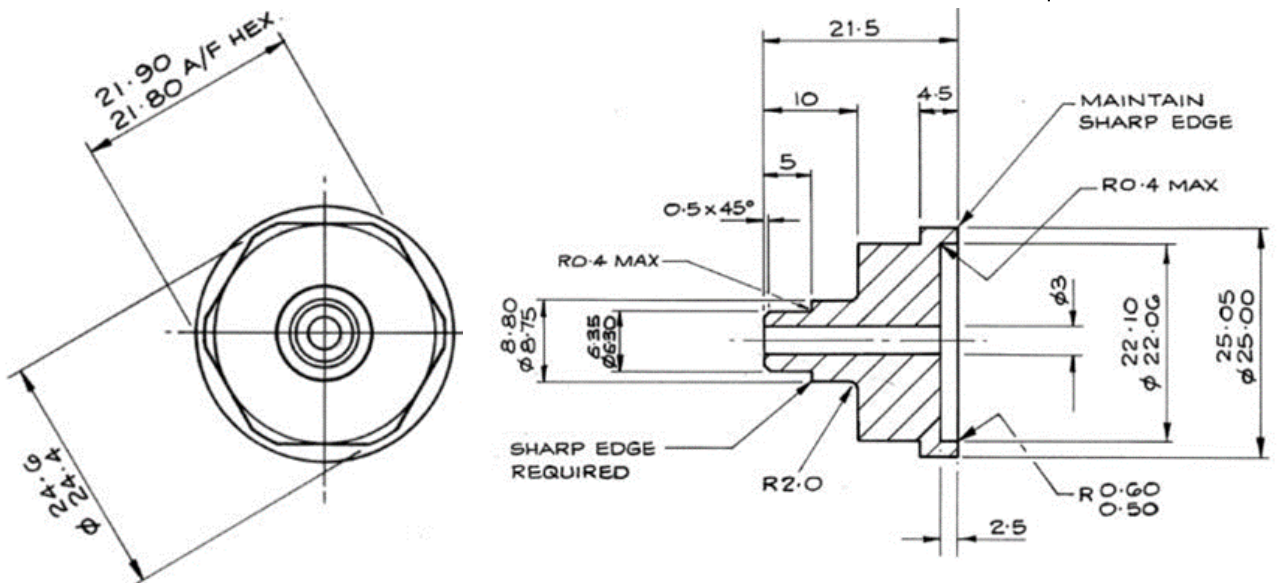


DA0430 VCR Male A-A3-0430\$01C

192-156 VCR Mateable Male Nut 316 SS-4-VCR-4\$

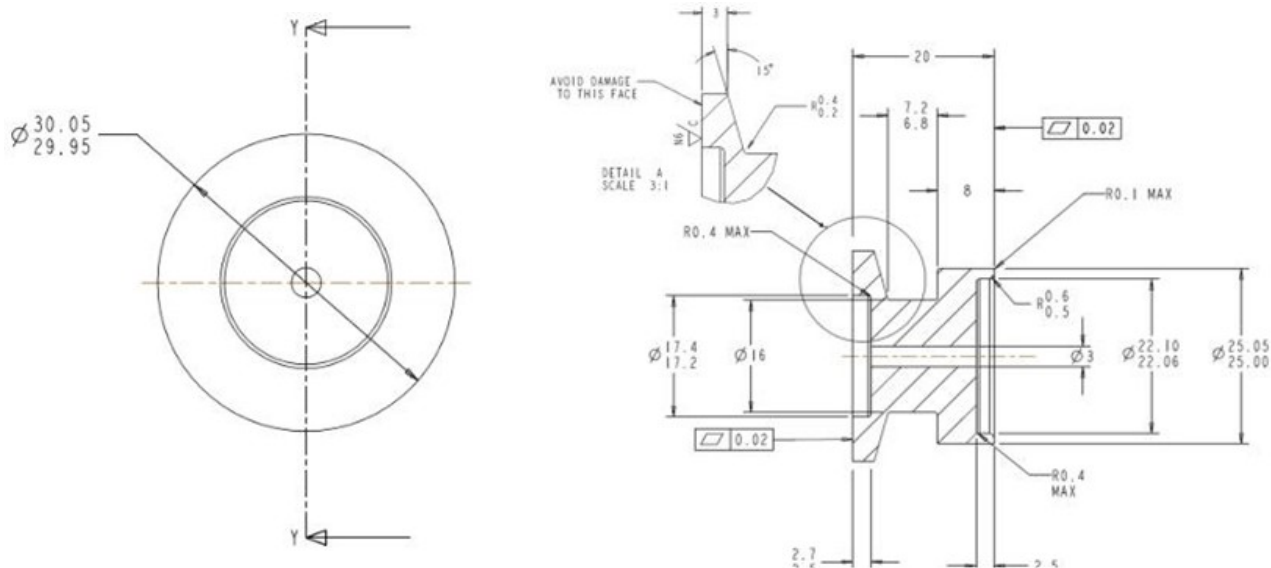


192-064-03 VCR Mateable Weld Gland A-A4-1504\$03A



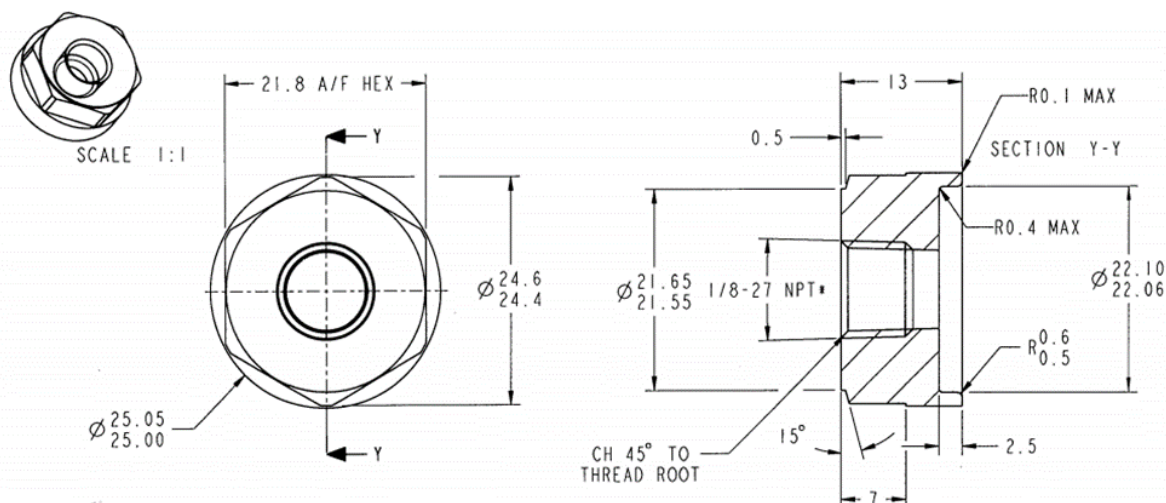
227-270 VCR Vacuseal Adapter D25 A-A3-1886\$2

RQ—NW16 Flange



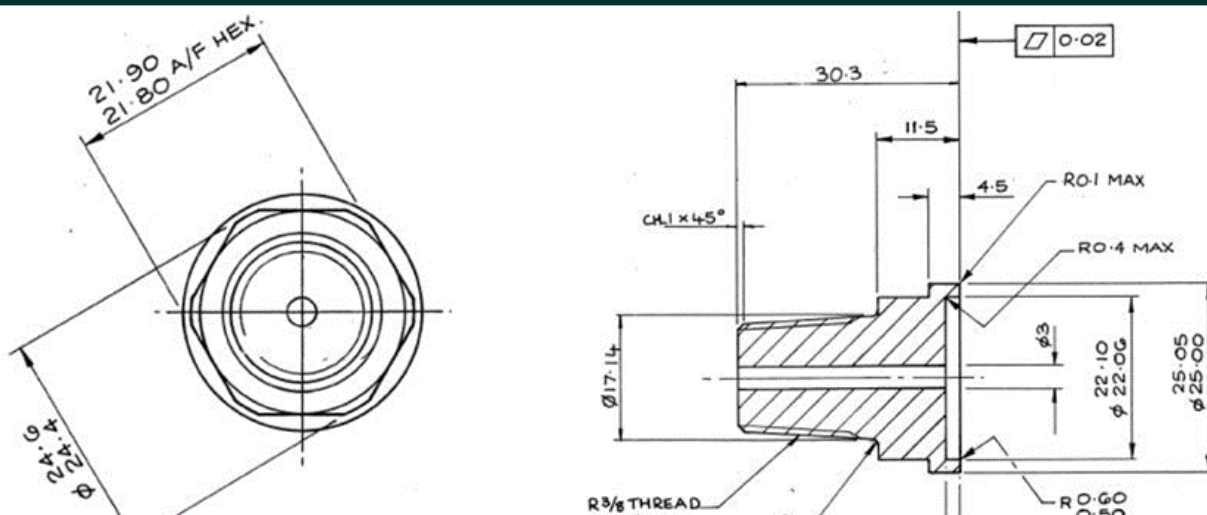
226-674-01 NW16 Flange A-A3-9148\$01

RT—1/8 NPT Female



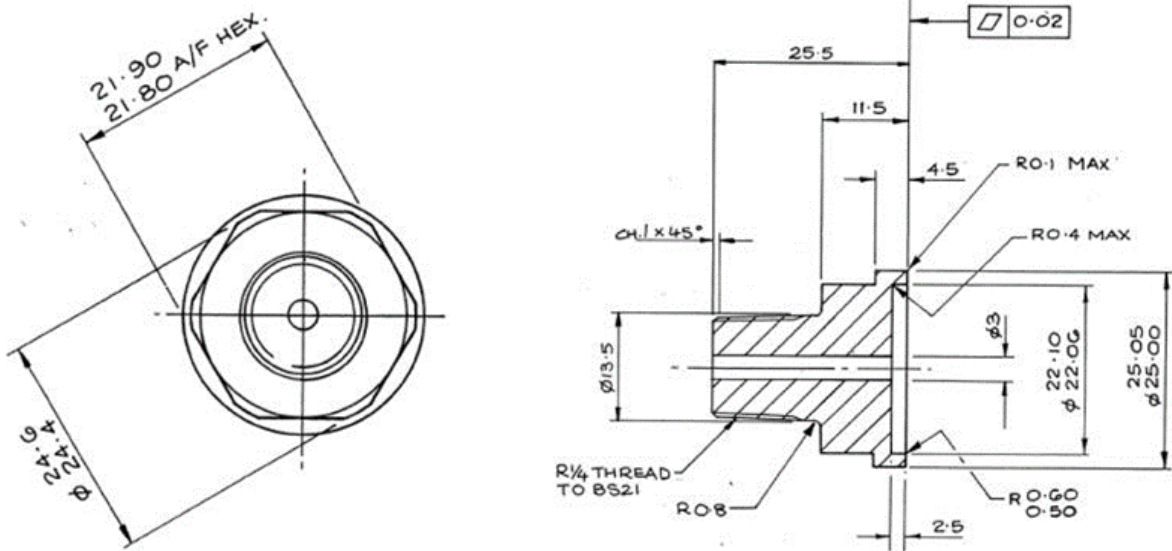
227-648-01 Conn 1/8NPT Female D25 A-A4-5071\$01B

RU—R38 Male (PT/8)



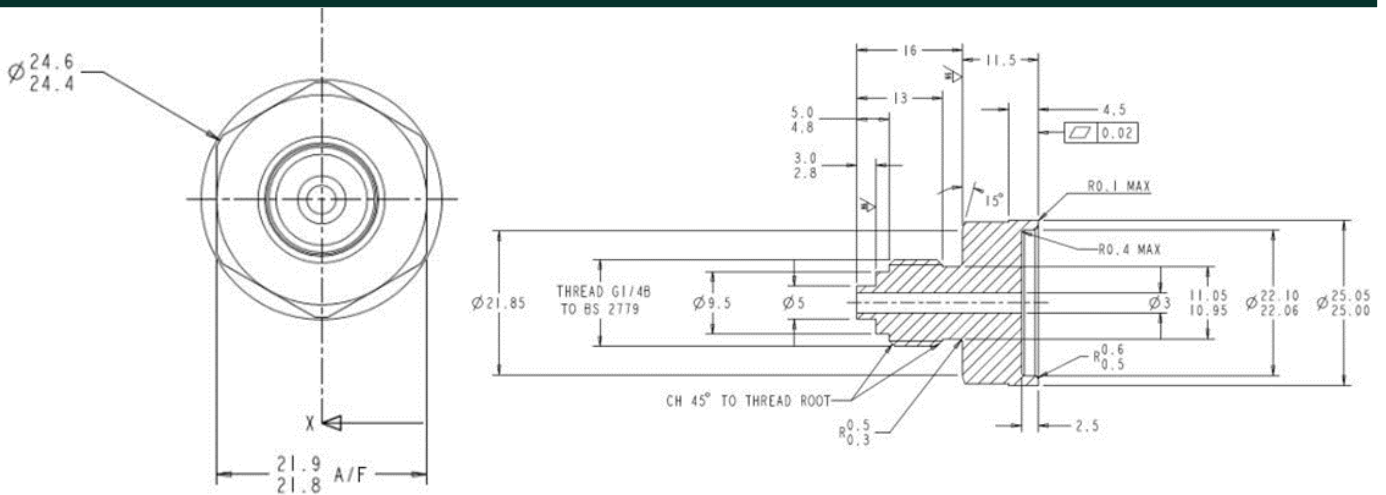
227-387-01 R38 Male (PT3/8) A-A3-3271\$01

RV-R1/4 Male (pt1/4)



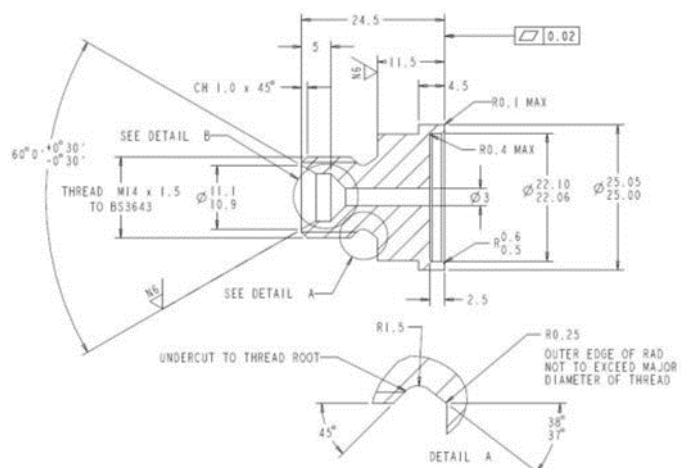
227-388-01 R1/4 Male (PT1/4) A-A3-3272\$01

RW-G1/4 Male with Nipple



226-707-01 G1/4 Male With Nipple A-A3-9257\$01

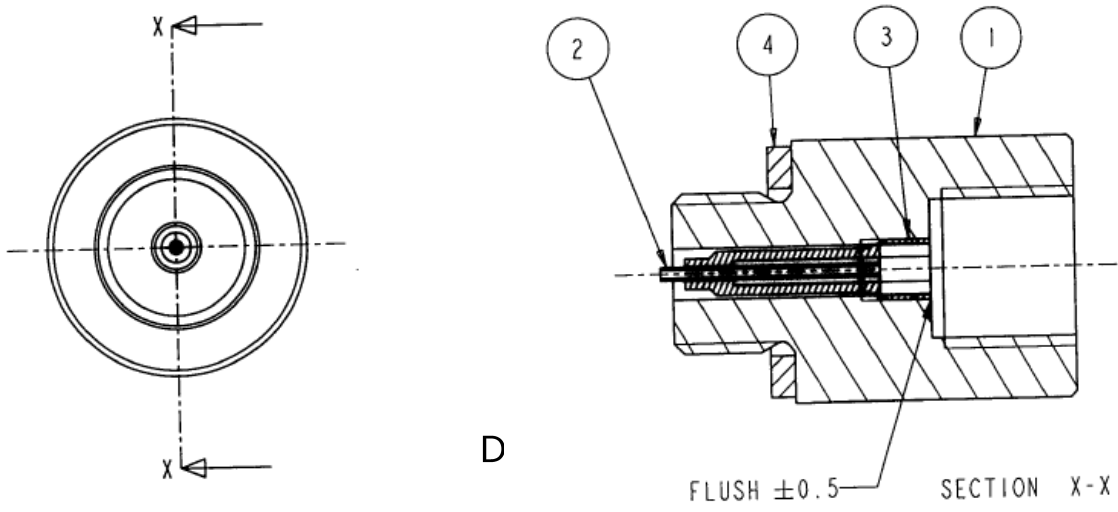
PJ- M20 x 1.5 Male 60° Int Cone



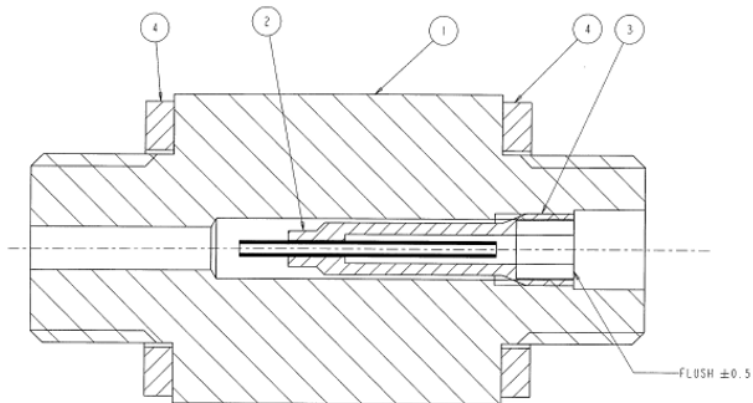
227-234-03 M20x1.5 Male 60° Int Cone A-A3-1773\$03C

Screw in Snubbers

G1/4 Male to Female



G1/4 Male to Male



DA4210-1-02

