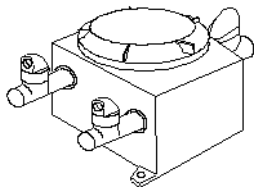
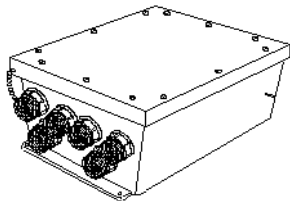
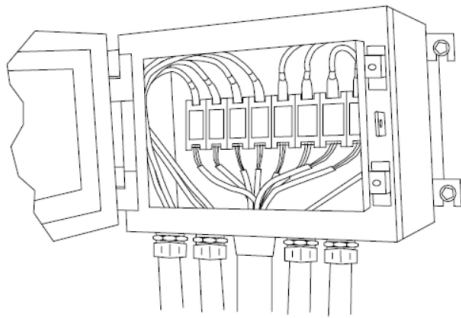


Proximito Sensor and Interface Module Housings

Datasheet

Bently Nevada Machinery Condition Monitoring

141599 Rev. W



Description

Although Proximito Sensors and interface modules are rugged by design, they are often installed in harsh environments that require an appropriate housing to protect the electrical equipment from damage. In addition, many installations are in hazardous areas, which require a suitable housing for electrical equipment such as the 3300 XL Proximito. We offer a variety of housings that protect our products from environmental damage. When the application requires a corrosion resistant fiberglass housing for an offshore installation, we can supply it, complete with the appropriate conduit fittings and custom mounting plates. The following section provides a brief description of each housing product line, followed by the ordering information.

3300 XL Multi-Purpose Housings


The certified Stainless Steel Water-Resistant Housings meet stringent IP66 and Type 4X environmental ratings for protecting enclosed electronic equipment in harsh conditions. The 304/304L stainless steel construction resists moisture, corrosion, and impacts in virtually all installations and may be hosed down for cleaning when necessary. For customers that require a lockable housing, we offer the Weather-Resistant Lockable housing.


Water- and Corrosion-Resistant Housings

The water- and corrosion-resistant fiberglass housings protect Bently Nevada products from corrosive and wet environments. When properly installed, the fiberglass housings are suitable for outdoor environments because of their resistance to water, dust and corrosion. Fiberglass housings may not be suitable for areas where Radio Frequency Interference (RFI) is present.



3300 XL Multi-Purpose Housing

 For the detailed listing of country and product specific approvals, refer to the *Approvals Quick Reference Guide* (108M1756) available from Bently.com.

 These Stainless Steel Water-Resistant Housings are rated for IP66 and Type 4X environmental conditions.

- The **175751** housing can accommodate up to 8 Proximitor sensors in the DIN-mount configuration or 6 panel mount Proximitor sensors. [See 175751 3300 XL Multi-Purpose Housing Dimensions \(12" x 12" x 6"\) on page 6.](#)
- The **176467** housing can accommodate up to four Proximitor Sensors in the DIN-mount configuration or four panel-mount Proximitor Sensors. [See 176467 3300 XL Multi-Purpose Housing Dimensions \(12" x 8" x 6"\) on page 9.](#)
- Each housing has three removable gland plates to simplify the installation of conduit fittings and cable gland seals.



Housing Material	304 stainless steel
Gasket Material	Polyurethane
Housing Rating	
North America	Certified to Type 3S, 4, and 4X ratings per UL File E115376
Europe	Certified to IP66 waterproof and dust-proof per IP 66 along with the 7 joule high impact mechanical risk test required by IEC standard IEC/EN 60079-15.
Housing Material	304 Stainless Steel
Gasket Material	Polyurethane

Housing Rating	
North America	Certified to Type 3S, 4, and 4X ratings per UL File E115376
Europe	Certified to IP66 waterproof and dust-proof per IP 66 along with the 7 joule high impact mechanical risk test required by IEC standard IEC/EN 60079-15.

Ordering Information

3300 XL Multi-Purpose Housing 12"x12"x6"

175751-AA-BB-CC-DD

A: Transducer Type Option	
00	No mounting hardware
01	35mm DIN-rail mount
02	2.00"x2.00" panel mount
	 Proximitor Sensors, Interface Modules, and Velocity-to-Displacement Converters are not included and must be ordered separately
	 Exercise care when specifying system length to avoid having excess coils of cable inside the housing. This excess cable in the housing may cause chafing and premature failure of the cables.


B: Conduit Fitting Option	
See Conduit Fitting Applications for 175751, 176467, and 330181 on page 12.	
00	Without fittings

01	One brass M32 cable gland seal outlet, six brass M25 cable gland seal inlets
02	One brass M32 cable gland seal outlet, eight brass M25 cable gland seal inlets
03	One aluminum 1¼ -11½ NPT conduit outlet, six aluminum ¾-14 NPT conduit inlets, six aluminum ¾ -14 to ½ -14 NPT reducers
04	One aluminum 1¼-11½ NPT conduit outlet, eight aluminum ¾-14 NPT conduit inlets, eight aluminum ¾ -14 to ½ -14 NPT reducers.
05	One 316 stainless steel 1¼ - 11½ NPT conduit outlet, six 316 stainless steel ¾ -14 NPT conduit inlets, six 303 stainless steel ¾ -14 to ½ -14 NPT reducers.
06	One 316 stainless steel 1¼ - 11½ NPT conduit outlet, eight 316 stainless steel ¾ -14 NPT conduit inlets, eight 303 stainless steel ¾ -14 to ½ -14 NPT reducers.
07	One chrome-plated zinc 1¼ - 11½ NPT conduit outlet, six chrome-plated zinc ¾ -14 NPT conduit inlets, six 303 stainless steel ¾ -14 to ½ -14 NPT reducers.
08	One chrome-plated zinc 1¼ - 11½ NPT conduit outlet, eight chrome-plated zinc ¾ -14 NPT conduit inlets, eight 303 stainless steel ¾ -14 NPT to ½ -14 NPT reducers.

C: Terminal Mounting Block Option

00	No terminal blocks
01	4 DIN rail terminal blocks
02	8 DIN rail terminal blocks
03	12 DIN rail terminal blocks
04	16 DIN rail terminal blocks
05	20 DIN rail terminal blocks
06	24 DIN rail terminal blocks
07	28 DIN rail terminal blocks

08	32 DIN rail terminal blocks
21	1 terminal block
22	2 terminal blocks
23	3 terminal blocks
24	4 terminal blocks
25	5 terminal blocks
26	6 terminal blocks

 Each DIN rail terminal block accepts only one wire. The standard terminal blocks each accept four wires. Thus, four DIN rail terminal blocks equal one standard terminal block.

D: Labeling Option


00	Part number only (No Approvals)
----	---------------------------------

**3300 XL Multi-Purpose Housing
 12"x8"x6"**

176467 - AA-BB-CC-DD

A: Transducer Type Option

00	No mounting hardware
01	35mm DIN-rail mount
02	2.00"x2.00" panel mount

 Proximitor Sensors, Interface Modules, and Velocity-to-Displacement Converters are not included and must be ordered separately



Exercise care when specifying system length to avoid having excess coils of cable inside the housing. This excess cable in the housing may cause chafing and premature failure of the cables.

B: Conduit Fitting Option

[See Conduit Fitting Applications for 175751, 176467, and 330181 on page 12.](#)

00	Without fittings
09	Four aluminum 3/4-14 NPT to 1/2-14 NPT, Five aluminum 3/4 14 NPT, one aluminum 1 1/4 1 1/2 NPT.
10	One brass M32 cable gland outlet, four brass M25 cable gland inlets.
11	One 316 stainless steel 1 1/4 1 1/2 NPT conduit outlet, four 316 stainless steel 3/4 14 NPT conduit inlets, four 303 stainless steel 3/4 14 to 1/2 14 NPT reducers
12	12 One chrome-plated zinc 1 1/4 1 1/2 NPT conduit outlet, four chrome-plated zinc 3/4 14 NPT conduit inlets, four 303 stainless steel 3/4 14 to 1/2 14.

C: Terminal Mounting Block Option

00	No terminal blocks
01	4 DIN rail terminal blocks
02	8 DIN rail terminal blocks
03	12 DIN rail terminal blocks
04	16 DIN rail terminal blocks
21	1 terminal block
22	2 terminal blocks
23	3 terminal blocks
24	4 terminal blocks

D: Labeling Option

00	Part number only (No Approvals)
----	---------------------------------



Each DIN rail terminal block accepts only one wire. The standard terminal blocks each accept four wires. Thus, four DIN rail terminal blocks equal one standard terminal block.

Accessories

Part Number	Description
137936-01	Brass cable gland seal, M32
137937-01	Brass cable gland seal, M25
03818111	Nickel-plated brass conduit fitting, PG21 x M20
03839130	Aluminum conduit fitting, 3/4 -14 NPT
03839132	Aluminum conduit fitting, 1 1/4 -1 1/2 NPT
03850021	Aluminum reducer, 3/4 -14 to 1/2 -14 NPT
03813103	Chrome-plated zinc conduit fitting, 3/4 -14 NPT
03813105	Chrome-plated zinc conduit fitting, 1-1 1/2 NPT
03813106	Chrome-plated zinc conduit fitting, 1 1/4 -1 1/2 NPT
03818099	AISI 316 stainless steel conduit fitting, 1 1/4 -1 1/2 NPT
03818100	AISI 316 stainless steel conduit fitting, 3/4 -14NPT
26650-01	AISI 303 stainless steel reducer, 3/4 -14 to 1/2 -14 NPT
26650-03	AISI 303 stainless steel reducer, 1 1/4 -1 1/2 to 1-1 1/2 NPT
03818102	AISI 316 stainless steel conduit fitting, PG21 x M20

Part Number	Description
03818103	AISI 316 stainless steel conduit fitting, PG21 x PG11
03818104	AISI 303 stainless steel conduit seal, PG11
03818105	AISI 316 stainless steel conduit seal, M20
103537-01	<p>Terminal Mounting Block</p> <p>This 4-wire terminal mounting block includes screws and is easily installed. Terminal mounting blocks are used to connect transducer cables to field wiring that is routed back to the monitoring system.</p>
01691029	DIN-rail Terminal Strip
01691028	<p>DIN-rail Terminal Strip Cover</p> <p>The DIN-rail terminal strip with cover is a single wire terminal strip that snaps onto a 35 mm DIN rail.</p>
04490104	<p>Conduit Seal Punch Tool</p> <p>A punch tool set is used when installing conduit seals. The conduit seals come with a rubber insert, with markings for where to "punch" holes. Use the punch tool set to punch the number of holes you need for the cables going through each conduit seal.</p>

Graphs and Figures

3300 XL Multi-Purpose Housing

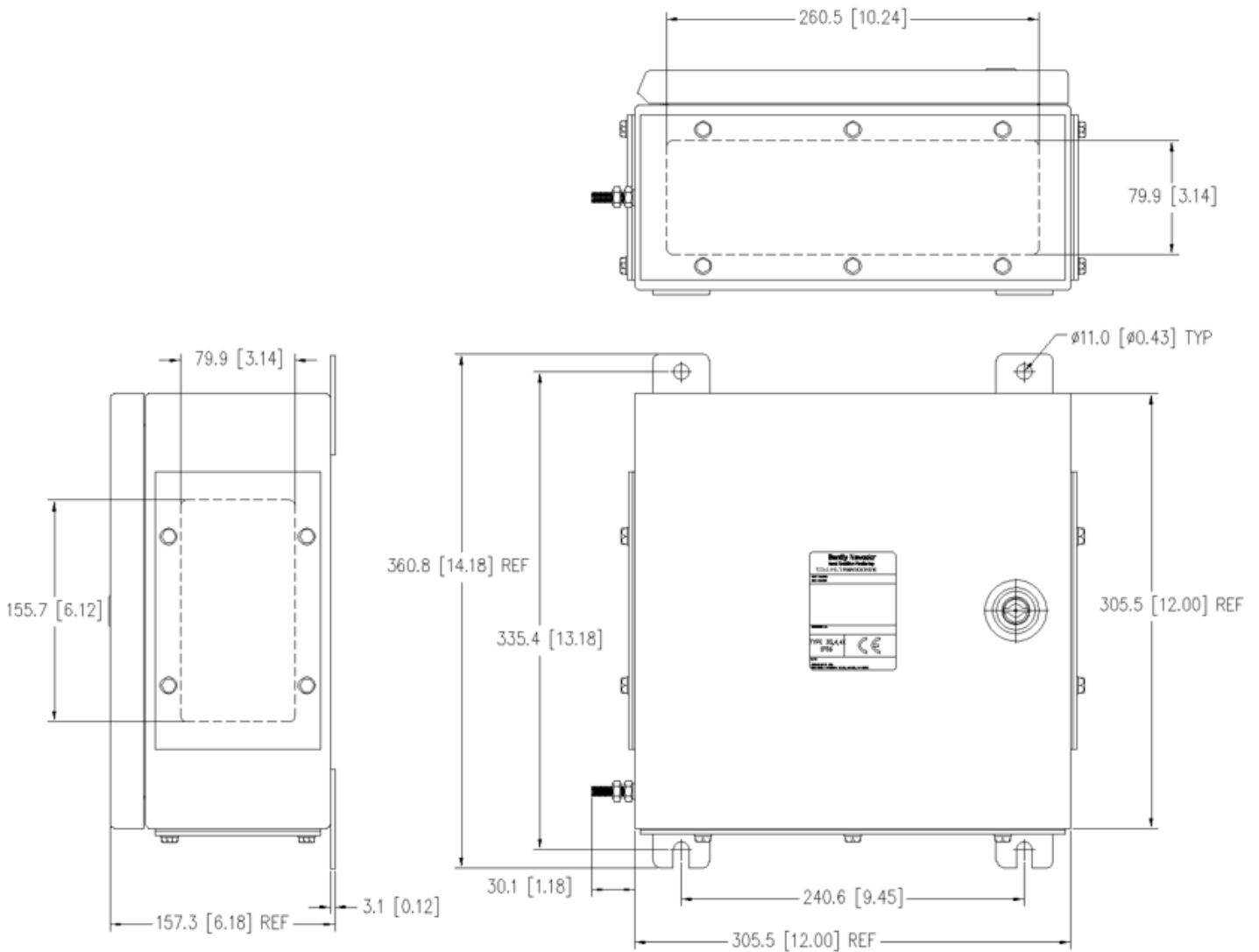


Figure 1: 175751 3300 XL Multi-Purpose Housing Dimensions (12" x 12" x 6")

Dimensions are in millimeters (inches).

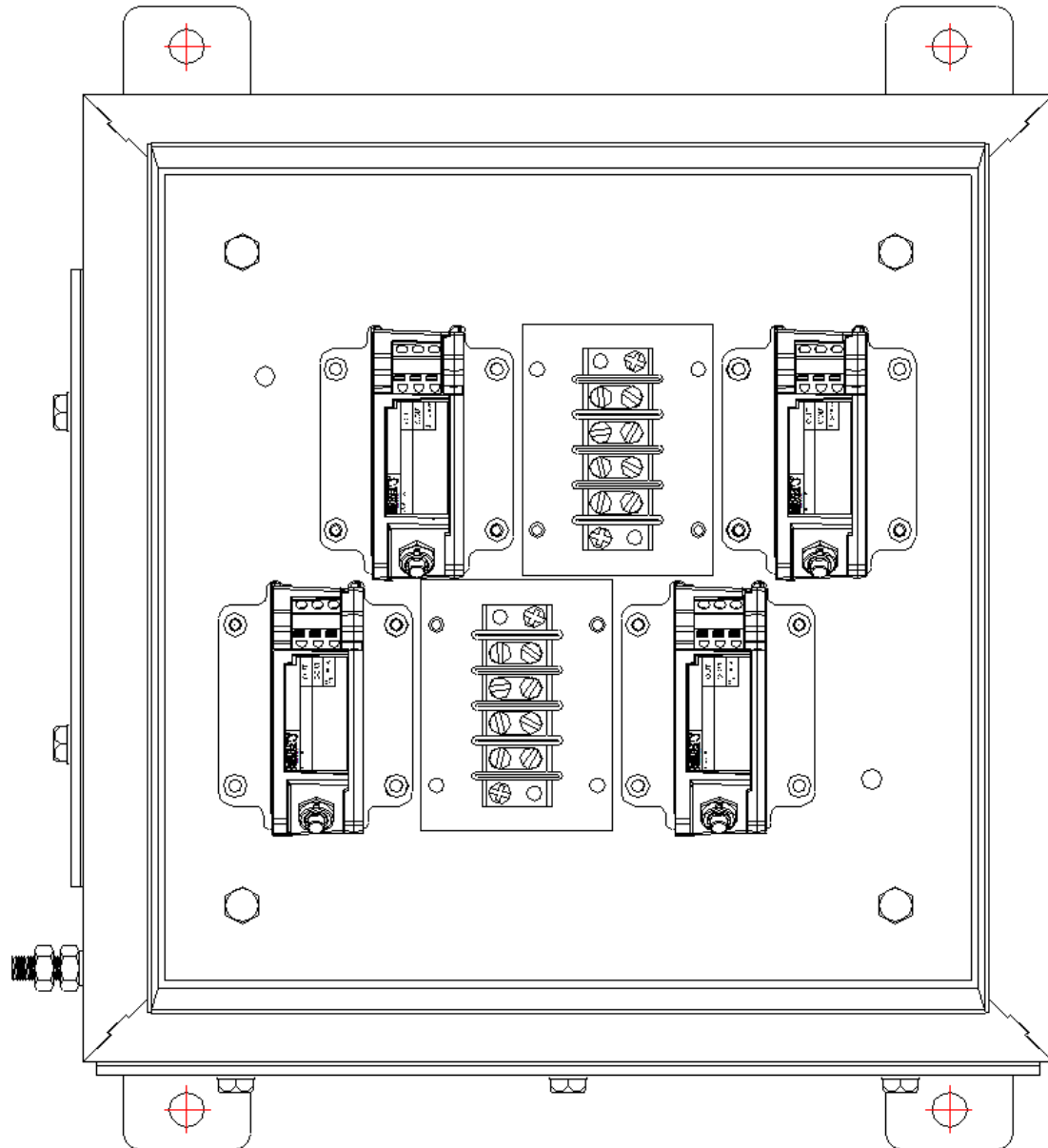


Figure 2: 175751 Panel Mount Orientation

Panel mount Proximitors and Terminal blocks share the same mounting hole pattern; therefore, any combination of 6 Proximitors and/or Terminal Blocks will work with this housing when panel mounting hardware is ordered (-AA option = -02).

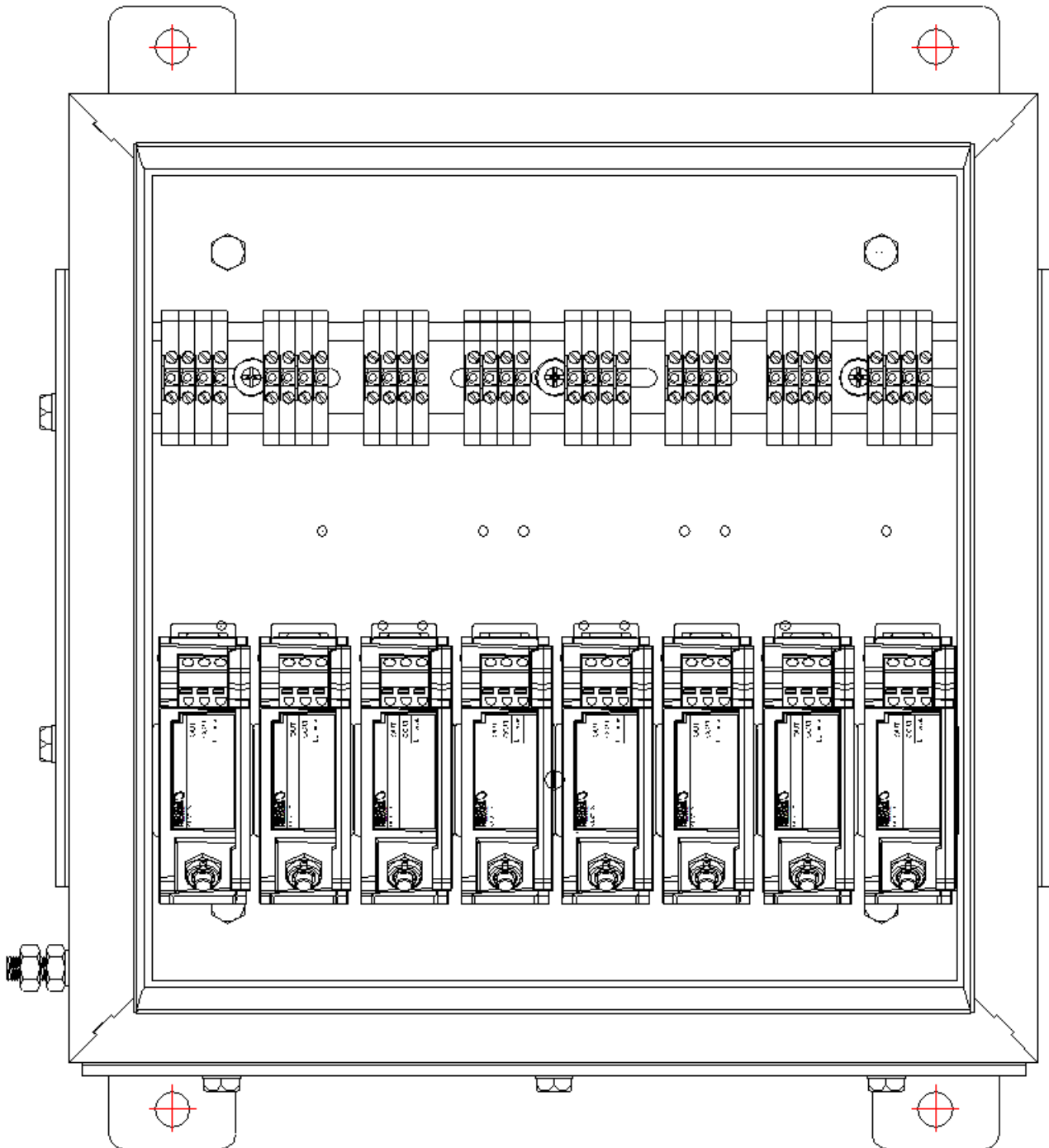


Figure 3: 175751 Sample DIN Mount Orientation

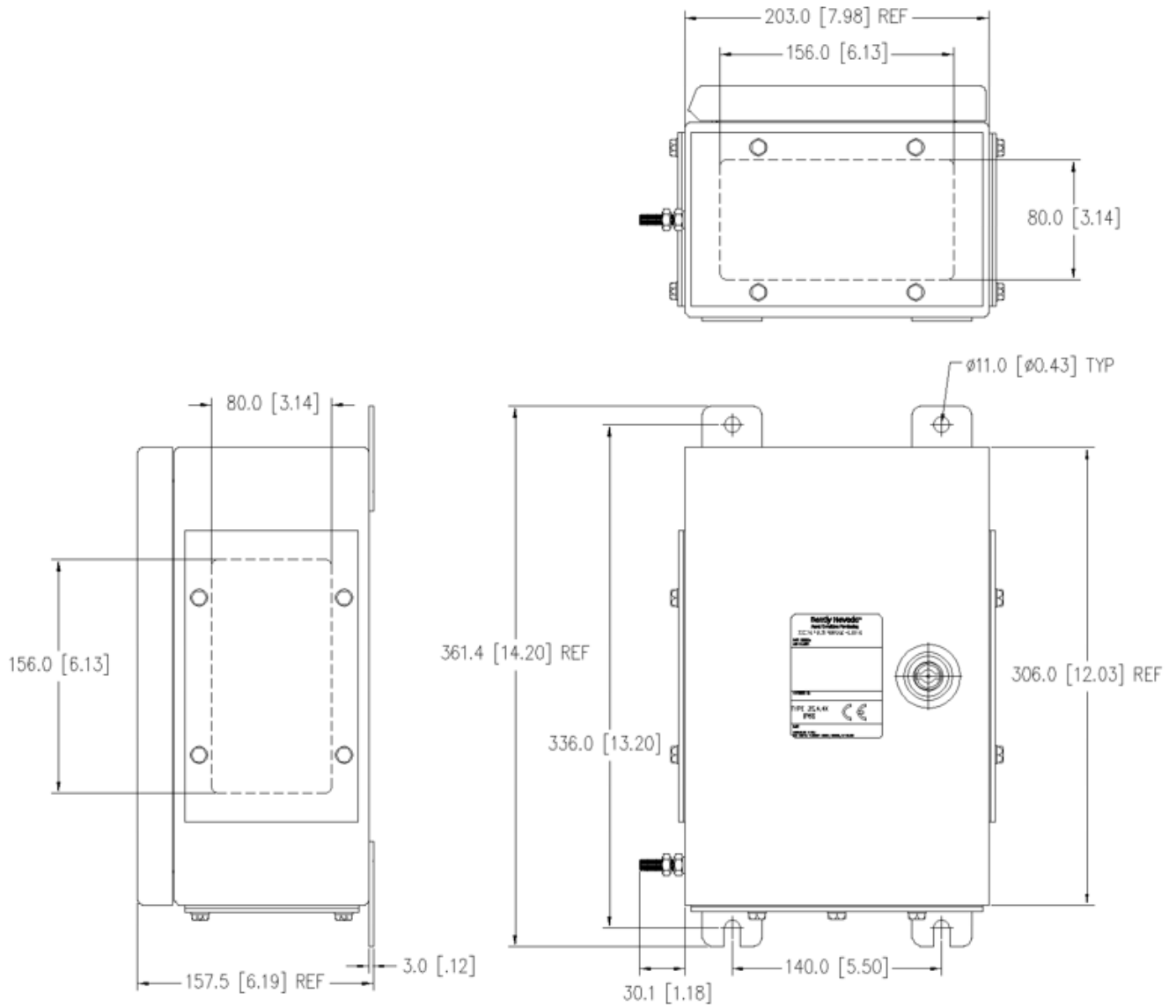


Figure 4: 176467 3300 XL Multi-Purpose Housing Dimensions (12" x 8" x 6")

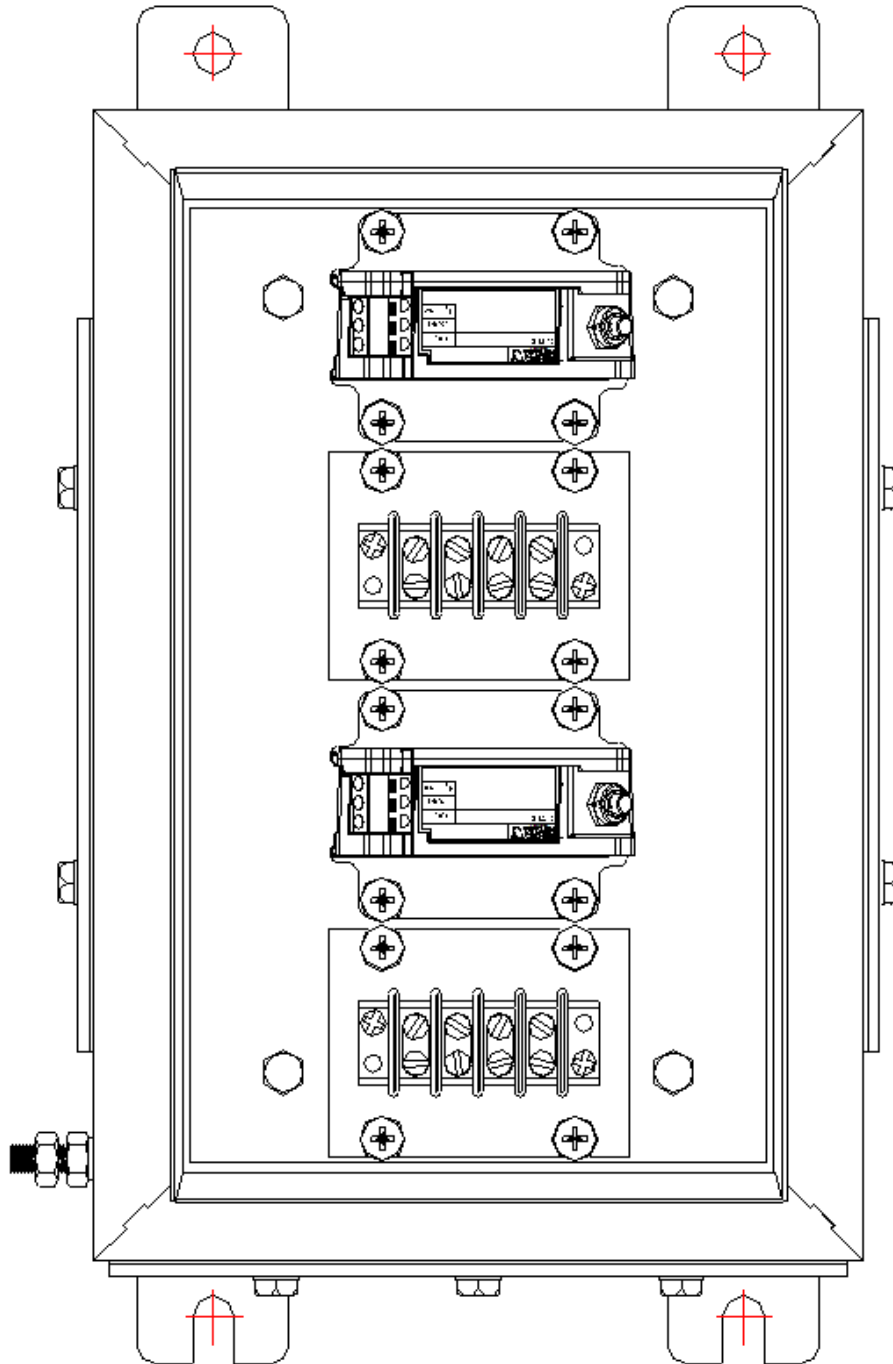


Figure 5: 176467 Panel Mount Orientation

Panel mount Proximitors and Terminal blocks share the same mounting hole pattern; therefore, any combination of 4 Proximitors and/or Terminal Blocks will work with this housing when panel mounting hardware is ordered (-AA option = -02).

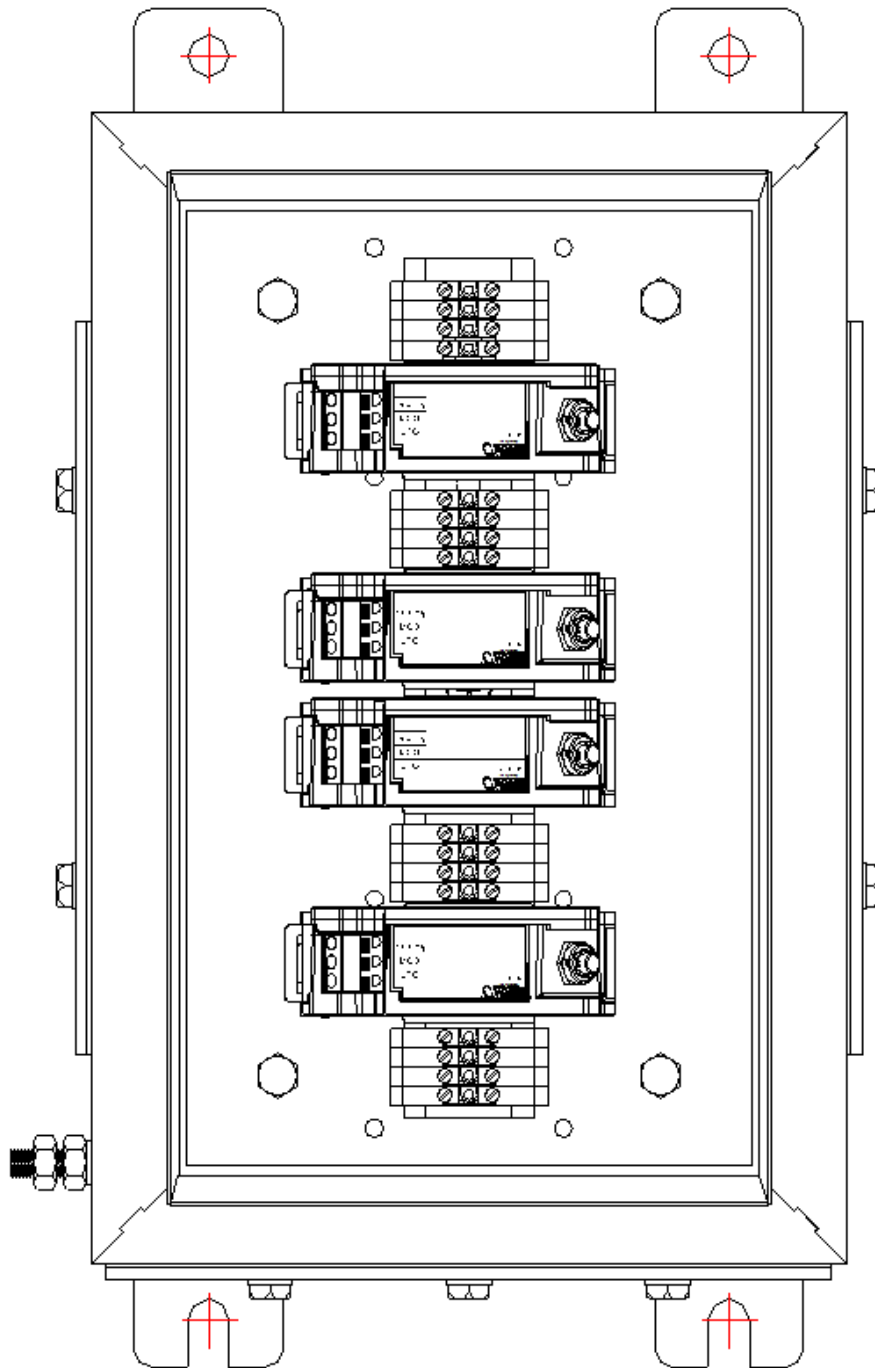




Figure 6: 176467 Sample DIN Mount Orientation

Table 1: Conduit Fitting Applications for 175751, 176467, and 330181

	Aluminum Conduit Fittings	Brass Conduit Seals	316 Stainless Steel Conduit Fittings	Chrome-plated Zinc Conduit Fittings
Includes a 1/4-NPT to 1/2- NPT Reducer	Yes	No	Yes	Yes
Use in IP54 Areas	Yes	Yes	Yes	Yes
Use in IP55 to IP66 Areas	No	Yes	No	No
Use in CENELEC safe hazardous areas	No	Yes	No	No
Type 4 Rating	Yes	No	Yes	Yes
Type 4X Rating	No	No	Yes	Yes
Use in North America Hazardous Areas	No	No	Yes	Yes
Use in Ammonia Environments	No	No	Yes	No

Weather-Resistant Lockable Housing

 For the detailed listing of country and product specific approvals, refer to the *Approvals Quick Reference Guide* (108M1756) available from Bently.com.

 The Weather Resistant Lockable Housing is rated for IP54 environmental conditions.

- The housing can accommodate up to 8 3300 XL Proximitor sensors in the DIN-mount configuration or 6 panel mount Proximitor sensors.
- Each housing has three removable gland plates to simplify the installation of conduit fittings and cable gland seals.



[See Weather-Resistant Lockable Housing Dimensions on page 16.](#)

Housing Material	304 stainless steel
Gland Plate Gasket Material	Neoprene rubber
Cover Gasket Material	PORON urethane
Housing Rating	
Europe	Certified to the IP54 waterproof along with the 7-joule high impact mechanical risk test required by IEC standard IEC/EN 60079-15
Total System Mass	6.4 kg (14.0 lbm) with standard gland plates but without conduit fittings installed 8.0 kg (17.6 lbm) with standard gland plates and conduit fittings installed

Ordering Information

330181 - AA-BB-CC-DD-EE

A: Transducer Type Option

00	No mounting hardware
01	3300 XL Proximitor Sensors (DIN mount), DIN-rail terminal blocks
03	3300 XL Proximitor Sensors (panel mount)
04	3300 Proximitor Sensors
05	3000 or 7200 Proximitor Sensors, VDCs, and Interface Modules
	 Proximitor Sensors, Interface Modules, and Velocity-to-Displacement Converters are not included and must be ordered separately
	 Exercise care when specifying system length to avoid having excess coils of cable inside the housing. This excess cable in the housing may cause chafing and premature failure of the cables.

B: Conduit Fitting Option

[See Conduit Fitting Applications for 175751, 176467, and 330181 on page 12.](#)

00	Without fittings
01	One brass M32 cable gland seal outlet, six brass M25 cable gland seal inlets
02	One brass M32 cable gland seal outlet, eight brass M25 cable gland seal inlets

03	One aluminum 1¼ -11½ NPT conduit outlet, six aluminum ¾-14 NPT conduit inlets, six aluminum ¾ -14 to ½ -14 NPT reducers
04	One aluminum 1¼-11½ NPT conduit outlet, eight aluminum ¾-14 NPT conduit inlets, eight aluminum ¾ -14 to ½ -14 NPT reducers.
05	One 316 stainless steel 1¼ - 11½ NPT conduit outlet, six 316 stainless steel ¾ -14 NPT conduit inlets, six 303 stainless steel ¾ -14 to ½ -14 NPT reducers.
06	One 316 stainless steel 1¼ - 11½ NPT conduit outlet, eight 316 stainless steel ¾ -14 NPT conduit inlets, eight 303 stainless steel ¾ -14 to ½ -14 NPT reducers.
07	One chrome-plated zinc 1¼ - 11½ NPT conduit outlet, six chrome-plated zinc ¾ -14 NPT conduit inlets, six 303 stainless steel ¾ -14 to ½ -14 NPT reducers.
08	One chrome-plated zinc 1¼ - 11½ NPT conduit outlet, eight chrome-plated zinc ¾ -14 NPT conduit inlets, eight 303 stainless steel ¾ -14 NPT to ½ -14 NPT reducers.

C: Gland Plate Thickness

01	Standard 2.34 mm (0.092 in)
02	3.05 mm (0.120 in)
03	4.78 mm (0.188 in)
04	6.35 mm (0.250 in)

D: Terminal Mounting Block Option

00	No terminal blocks
01	4 DIN rail terminal blocks
02	8 DIN rail terminal blocks
03	12 DIN rail terminal blocks
04	16 DIN rail terminal blocks
05	20 DIN rail terminal blocks
06	24 DIN rail terminal blocks

07	28 DIN rail terminal blocks
08	32 DIN rail terminal blocks
21	1 terminal block
22	2 terminal blocks
23	3 terminal blocks
24	4 terminal blocks
25	5 terminal blocks
26	6 terminal blocks



Each DIN rail terminal block accepts only one wire. The standard terminal blocks each accept four wires. Thus, four DIN rail terminal blocks equal one standard terminal block.

E: Labeling Option

00	Safe area (No Approvals)
----	--------------------------

Sealtite Flexible Conduit Assembly
14847-AA 1/2 -14 NPT threads
14848-AA 3/4 -14 NPT threads

A: Length Option

01	Minimum length = 1 foot
99	Maximum length = 99 feet
	Order in increments of 1 foot (300 mm)

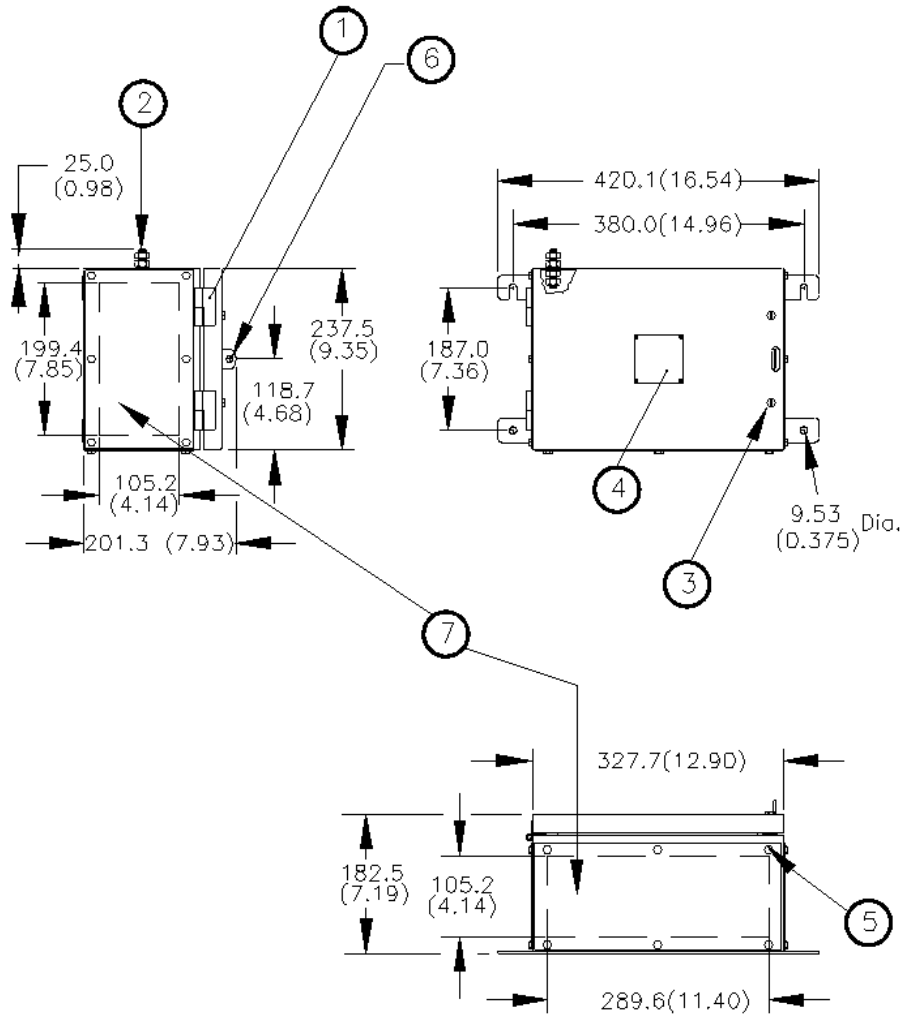
Accessories

Part Number	Description
137936-01	Brass cable gland seal, M32
137937-01	Brass cable gland seal, M25
03818111	Nickel-plated brass conduit fitting, PG21 x M20
03839130	Aluminum conduit fitting, 3/4 -14 NPT
03839132	Aluminum conduit fitting, 1 1/4 -11 1/2 NPT
03850021	Aluminum reducer, 3/4 -14 to 1/2 -14 NPT
03813103	Chrome-plated zinc conduit fitting, 3/4 -14 NPT
03813105	Chrome-plated zinc conduit fitting, 1-11 1/2 NPT
03813106	Chrome-plated zinc conduit fitting, 1 1/4 -11 1/2 NPT
03818099	AISI 316 stainless steel conduit fitting, 1 1/4 -11 1/2 NPT
03818100	AISI 316 stainless steel conduit fitting, 3/4 -14NPT
26650-01	AISI 303 stainless steel reducer, 3/4 -14 to 1/2 -14 NPT
26650-03	AISI 303 stainless steel reducer, 1 1/4 -11 1/2 to 1-11 1/2 NPT
03818102	AISI 316 stainless steel conduit fitting, PG21 x M20
03818103	AISI 316 stainless steel conduit fitting, PG21 x PG11
03818104	AISI 303 stainless steel conduit seal, PG11
03818105	AISI 316 stainless steel conduit seal, M20

Part Number	Description
	<p>Terminal Mounting Block</p> <p>This 4-wire terminal mounting block includes screws and is easily installed. Terminal mounting blocks are used to connect transducer cables to field wiring that is routed back to the monitoring system. These blocks are used with the PROXPAC Transducer Assembly, integral 25 mm and 50 mm DE transducers, temperature sensors, Velomitor Sensors, and seismic transducers.</p>
103537-01	
01691029	<p>DIN-rail Terminal Strip</p>
	<p>DIN-rail Terminal Strip Cover</p> <p>The DIN-rail terminal strip with cover is a single wire terminal strip that snaps onto a 35 mm DIN rail.</p>
01691028	
	<p>Conduit Seal Punch Tool</p> <p>A punch tool set is used when installing conduit seals. The conduit seals come with a rubber insert, with markings for where to "punch" holes. Use the punch tool set to punch the number of holes you need for the cables going through each conduit seal.</p>
04490104	

Graphs and Figures

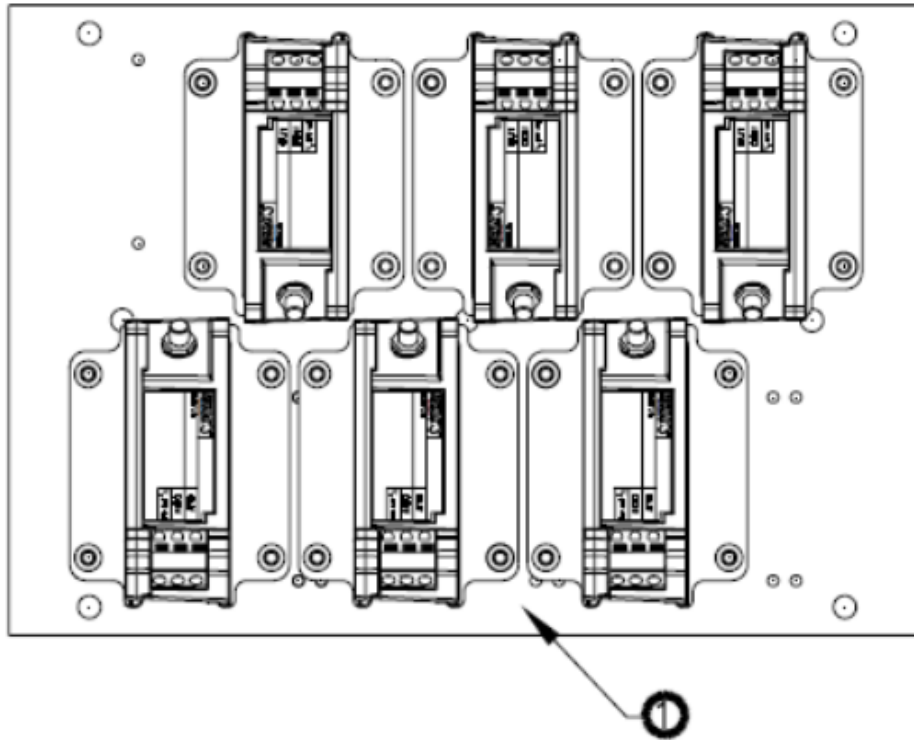
Weather Resistant Lockable Housing



1. Stainless steel slip hinge. Allows cover to be removed from housing
2. M10 x 1.5 - 6 g ground stud, stainless steel
3. M6 slotted hex head captive fastener, stainless steel
4. Approval/ identification label
5. M6 x 16 mm hex head bolt, stainless steel
6. ϕ 8.33 [0.328] padlock hasp
7. Removable gland plate, 3 places

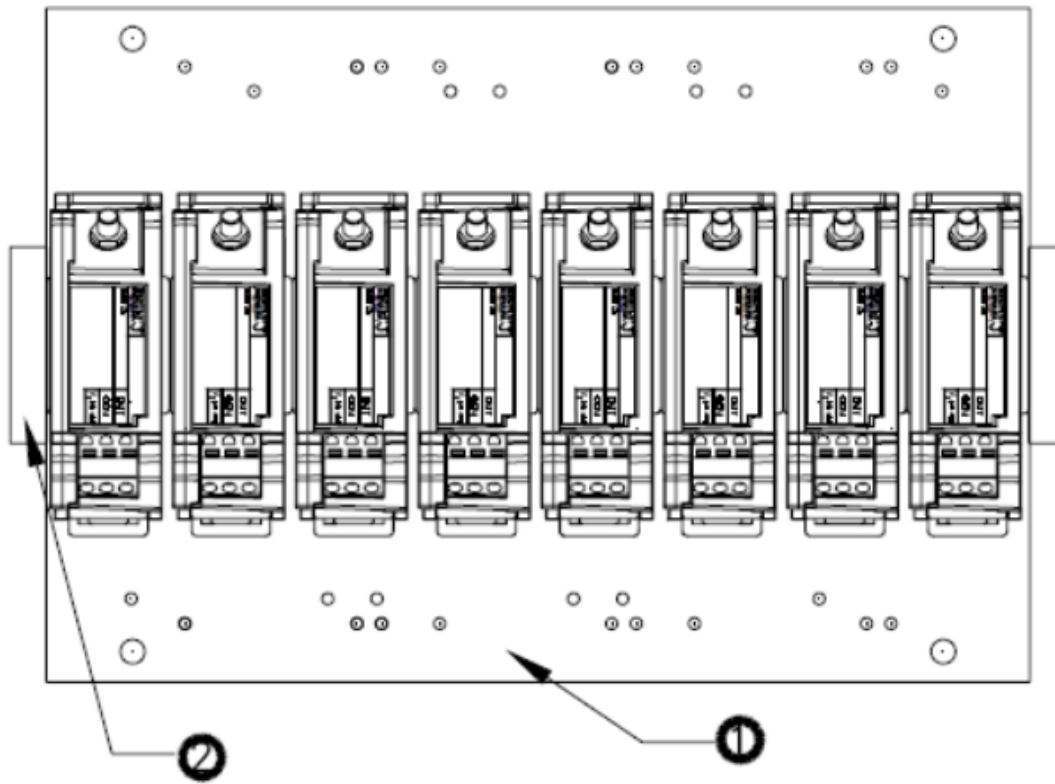
Figure 1: Weather-Resistant Lockable Housing Dimensions

Dimensions are in millimeters (inches).



1. Mounting plate for 3300 XL Proximitor housing

Figure 2: Panel Mount Orientation for 6 Panel Mounted 3300 XL Proximitor Sensors



1. Mounting plate, 3300 XL Proximitor Housing
2. DIN rail end cap

Figure 3: DIN Mount Orientation for 8 DIN-mounted 3300 XL Proximitor Sensors in a Housing

Explosion Proof Housing



For the detailed listing of country and product specific approvals, refer to the *Approvals Quick Reference Guide* (108M1756) available from Bently.com.



Part number prefix "BA" denotes international labels, while "CA" housings are labeled for North America (Canada and United States) only.



Ordering Information

2-Unit Explosion-Proof Housing

BA72341 - AA-BB (Intl.)
 CA72341 - AA-BB (North America)

[See CA72341 2-Unit Explosion-Proof Housing Dimensions on page 22.](#)

A: Transducer Type Option

00	No mounting hardware
02	3000 or 7200 Proximitor Sensors, Vdcs and Interface Modules
03	3300 Proximitor Sensors
10	3300 XL Proximitor Sensors, panel mount
<div style="border: 1px solid black; padding: 5px; background-color: #e0f0e0;">  Proximitor Sensors, Interface Modules, and Velocity-to-Displacement Converters are not included and must be ordered separately </div>	
<div style="border: 1px solid black; padding: 5px; background-color: #e0f0e0;">  Exercise care when specifying system length to avoid having excess coils of cable inside the housing. This excess cable in the housing may cause chafing and premature failure of the cables. </div>	

B: Conduit Fitting Option

01	No fittings supplied
02	One 1¼ -11½ in NPT outlet fitting, one ¾-14 NPT inlet fitting
03	One 1¼ -11½ NPT outlet fitting, two ¾-14 NPT inlet fittings
04	One ¾-14 NPT outlet fitting, one ½-14 NPT inlet fitting



05	One ¾-14 NPT outlet fitting, two ½-14 NPT inlet fittings
----	--

4-Unit Explosion-Proof Housing

BA72342 - AA-BB (Intl.)
 CA72342 - AA-BB (North America)

[See CA72342 4-Unit Explosion-Proof Housing Dimensions on page 22.](#)


A: Transducer Type Option

00	No mounting hardware
02	3000 or 7200 Proximitor Sensors, Vdcs and Interface Modules
03	3300 Proximitor Sensors
10	3300 XL Proximitor Sensors, panel mount
11	3300 XL Proximitor Sensors, DIN mount
<div style="border: 1px solid black; padding: 5px; background-color: #e0f0e0;">  Proximitor Sensors, Interface Modules, and Velocity-to-Displacement Converters are not included and must be ordered separately </div>	
<div style="border: 1px solid black; padding: 5px; background-color: #e0f0e0;">  Exercise care when specifying system length to avoid having excess coils of cable inside the housing. This excess cable in the housing may cause chafing and premature failure of the cables. </div>	

B: Conduit Fitting Option

01	No fittings supplied
02	One 1¼ -11½ in NPT outlet fitting, one ¾-14 NPT inlet fitting
03	One 1¼ -11½ NPT outlet fitting, two ¾-14 NPT inlet fittings

04	One ¾-14 NPT outlet fitting, three ¾-14 NPT inlet fittings
05	One ¾-14 NPT outlet fitting, four ¾-14 NPT inlet fittings
06	One ¾-14 NPT outlet fitting, one ½-14 NPT inlet fitting
07	One ¾-14 NPT outlet fitting, two ½-14 NPT inlet fittings
08	One ¾-14 NPT outlet fitting, three ½-14 NPT inlet fittings
09	One ¾-14 NPT outlet fitting, four ½-14 NPT inlet fittings


 Exercise care when specifying system length to avoid having excess coils of cable inside the housing. This excess cable in the housing may cause chafing and premature failure of the cables.

6-Unit Explosion-Proof Housing

BA72343 - AA-BB (Intl.)
CA72343 - AA-BB (North America)

[See CA72343 6-Unit Explosion-Proof Housing Dimensions on page 23.](#)

A: Transducer Type Option

00	No mounting hardware
02	3000 or 7200 Proximitor Sensors, VDCs, and Interface Modules
03	3300 Proximitor Sensors
10	3300 XL Proximitor Sensors, panel mount
11	3300 XL Proximitor Sensors, DIN mount
	 Proximitor Sensors, Interface Modules, and Velocity-to-Displacement Converters are not included and must be ordered separately

B: Conduit Fitting Option

01	No fittings supplied
02	One 1¼ -1½ in NPT outlet fitting, one ¾-14 NPT inlet fitting
03	One 1¼ -1½ NPT outlet fitting, two ¾-14 NPT inlet fittings
04	One 1¼ -1½ NPT outlet fitting, three ¾-14 NPT inlet fitting
05	One 1¼ -1½ NPT outlet fitting, four ¾-14 NPT inlet fitting
06	One 1¼ -1½ NPT outlet fitting, five ¾-14 NPT inlet fitting
07	One 1¼ -1½ NPT outlet fitting, six ¾-14 NPT inlet fitting
08	One ¾-14 NPT outlet fitting, one ½-14 NPT inlet fittings
09	One ¾-14 NPT outlet fitting, two ½-14 NPT inlet fittings
10	One ¾-14 NPT outlet fitting, three ½-14 NPT inlet fittings
11	One ¾-14 NPT outlet fitting, four ½-14 NPT inlet fittings
12	One 1¼ -1½ NPT outlet fitting, five ½-14 NPT inlet fittings
13	One 1¼ -1½ NPT outlet fitting, six ½-14 NPT inlet fittings

Graphs and Figures Explosion Proof Housing

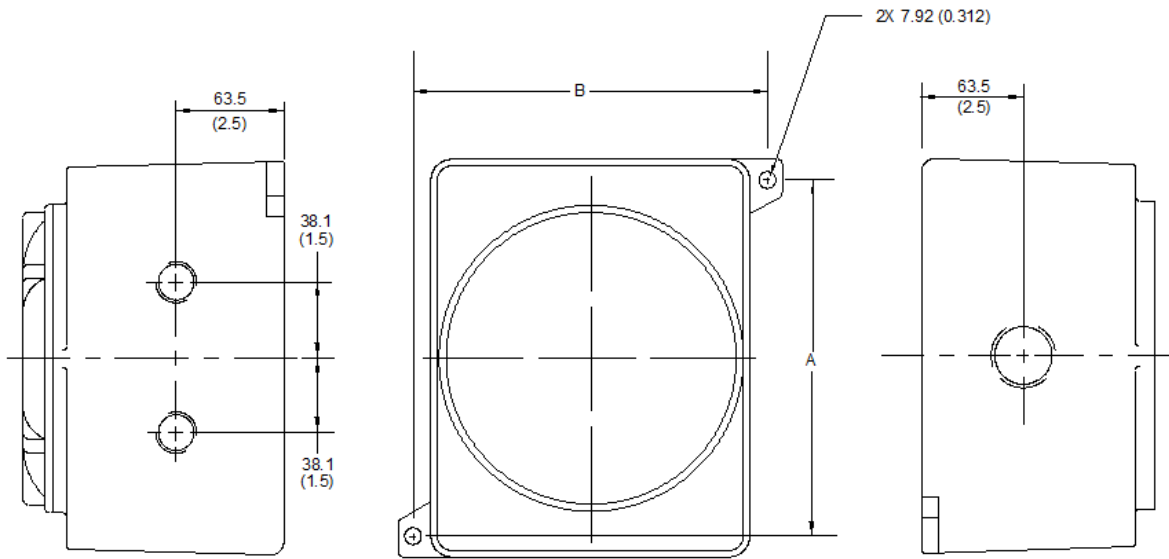


Figure 1: CA72341 2-Unit Explosion-Proof Housing Dimensions

Dimensions are in millimeters (inches). For additional dimensions, see Dimensions A and B in Table 2.

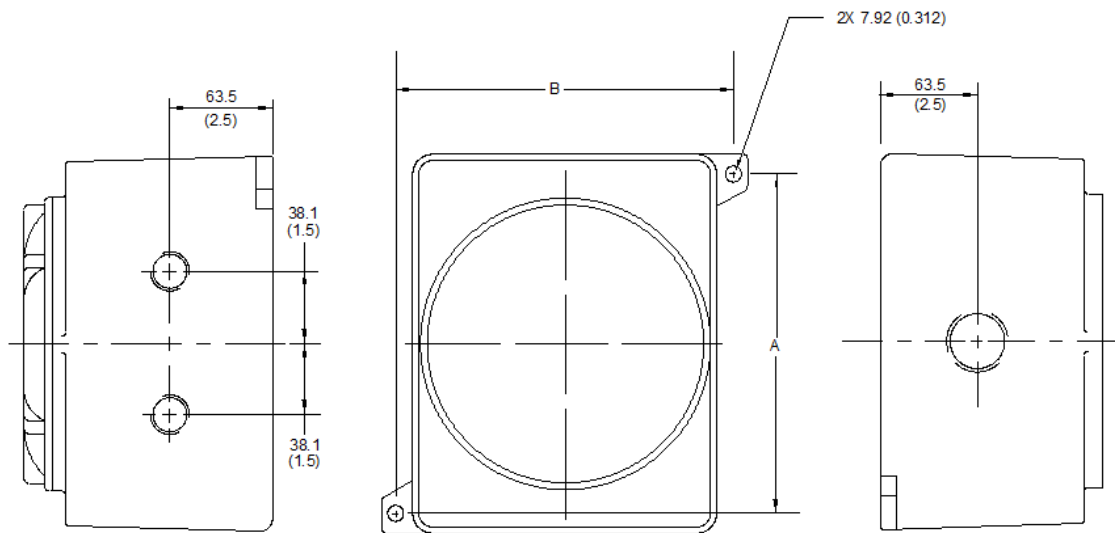
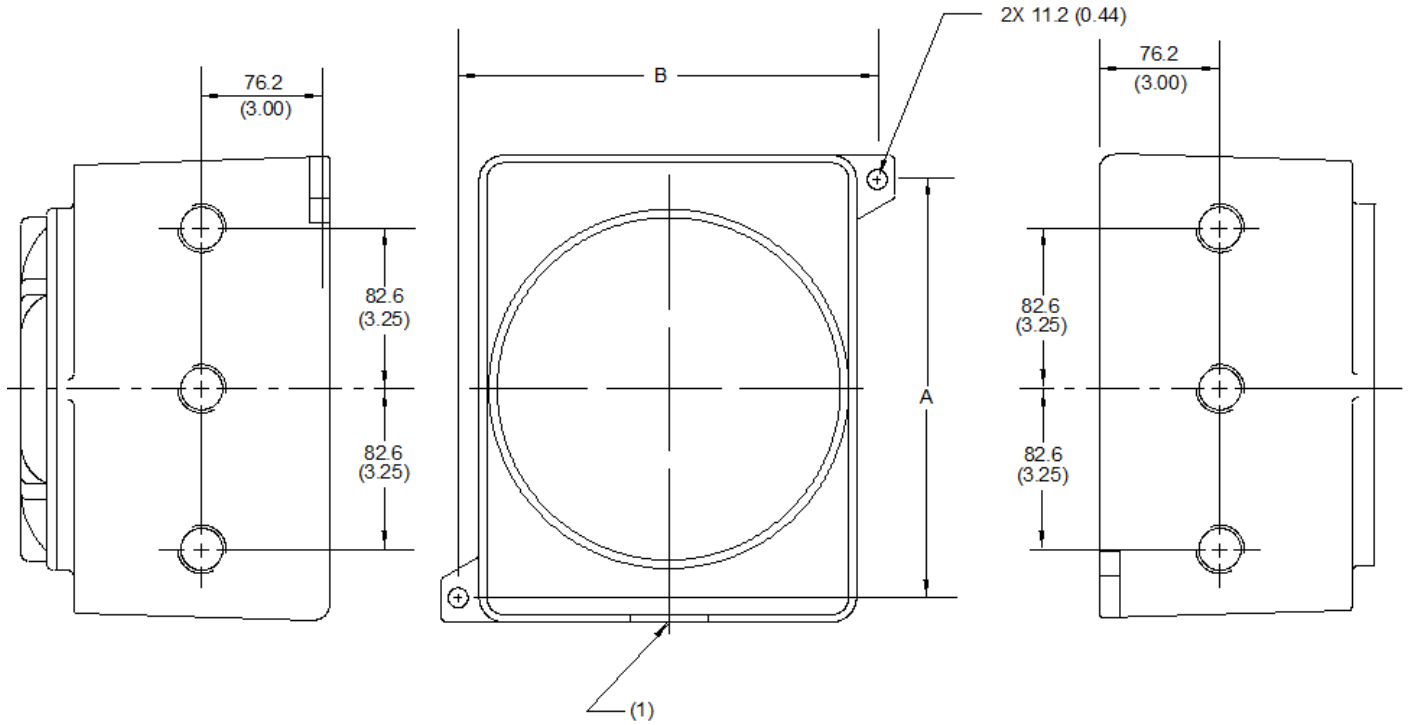


Figure 2: CA72342 4-Unit Explosion-Proof Housing Dimensions

Dimensions are in millimeters (inches). For additional dimensions, see Dimensions A and B in Table 2.



1. Outlet fitting threaded hole centered 76.3 (3.0) from base

Figure 3: CA72343 6-Unit Explosion-Proof Housing Dimensions

Dimensions are in millimeters (inches). For additional dimensions, see Dimensions A and B in the table below.

Table 1: Explosion-Proof Housing Dimensions

Part Number	Maximum Proximito Sensor Capacity	Overall Dimensions (with lid)			Mounting Dimensions	
		Length	Width	Height	A	B
CA72341	2	229 (9.00)	181 (7.12)	169 (6.66)	149 (5.87)	206 (8.12)
CA72342	4	264 (10.4)	257 (10.1)	186 (7.31)	232 (9.12)	245 (9.63)
CA72343	6	302 (11.9)	274 (10.8)	183 (7.19)	241 (9.50)	267 (10.5)

Dimensions are in millimeters (inches).

Water and Corrosion-Resistant Housing



For the detailed listing of country and product specific approvals, refer to the *Approvals Quick Reference Guide* (108M1756) available from [Bentley.com](https://www.bentley.com).



Ordering Information

2-Unit Water and Corrosion-Resistant Fiberglass Housing

24584 - AA-BB

[See 24584, 24585, and 24586 Fiberglass Housing Dimensions on page 27.](#)

A: Transducer Type Option

00	No mounting hardware
02	3000 or 7200 Proximito Sensors, Vdcs and Interface Modules
03	3300 Proximito Sensors
10	3300 XL Proximito Sensors, panel mount
	 Proximito Sensors, Interface Modules, and Velocity-to-Displacement Converters are not included and must be ordered separately
	 Exercise care when specifying system length to avoid having excess coils of cable inside the housing. This excess cable in the housing may cause chafing and premature failure of the cables.

B: Conduit Fitting Option



00	Without fittings and mounting holes
01	With fittings and reducers
02	With cable grips and cable seals

4-Unit Water and Corrosion-Resistant Fiberglass Housing

24585 - AA-BB

[See 24584, 24585, and 24586 Fiberglass Housing Dimensions on page 27.](#)

A: Transducer Type Option

00	No mounting hardware
02	3000 or 7200 Proximito Sensors, Vdcs and Interface Modules
03	3300 Proximito Sensors
10	3300 XL Proximito Sensors, panel mount
	 Proximito Sensors, Interface Modules, and Velocity-to-Displacement Converters are not included and must be ordered separately
	 Exercise care when specifying system length to avoid having excess coils of cable inside the housing. This excess cable in the housing may cause chafing and premature failure of the cables.

B: Conduit Fitting Option



00	Without fittings and mounting holes
01	With fittings and reducers
02	With cable grips and cable seals

6-Unit Water and Corrosion-Resistant Fiberglass Housing

24586 - AA-BB

[See 24584, 24585, and 24586 Fiberglass Housing Dimensions on page 27.](#)

A: Transducer Type Option

00	No mounting hardware
02	3000 or 7200 Proximito Sensors, Vdcs and Interface Modules
03	3300 Proximito Sensors
10	3300 XL Proximito Sensors, panel mount
	 Proximito Sensors, Interface Modules, and Velocity-to-Displacement Converters are not included and must be ordered separately
	 Exercise care when specifying system length to avoid having excess coils of cable inside the housing. This excess cable in the housing may cause chafing and premature failure of the cables.

B: Conduit Fitting Option

00	Without fittings and mounting holes
01	With fittings and reducers
02	With cable grips and cable seals

Graphs and Figures

Water and Corrosion-Resistant Housing

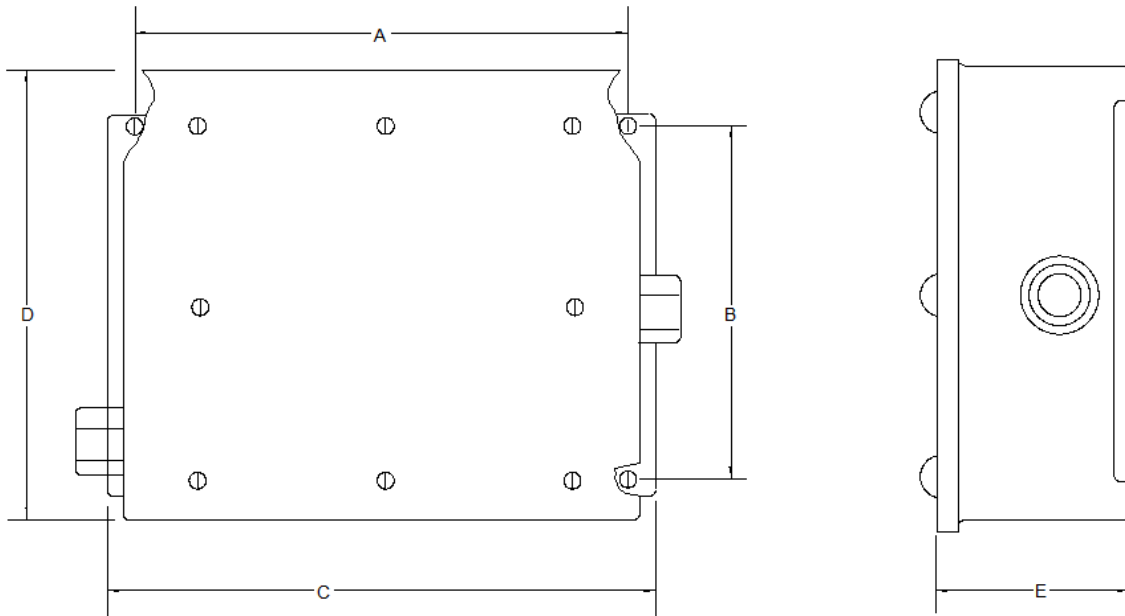


Figure 1: 24584, 24585, and 24586 Fiberglass Housing Dimensions

Dimensions are in millimeters (inches).

For additional dimensions, see Dimensions A through E in the table below.

Table 1: Water- and Corrosion-Resistant Housing Dimensions

Part Number	Maximum Proximitor Sensor Capacity	Overall Dimensions (with lid)			Mounting Dimensions	
		Length (C)	Width (D)	Height (E)	A	B
24584	2	245 (9.63)	187 (7.38)	122 (4.81)	226 (8.88)	102 (4.00)
24585	4	295.1 (11.62)	238.3 (9.38)	108 (4.25)	273 (10.75)	152.4 (6.00)
24586	6	345.9 (13.62)	289.1 (11.38)	133.4 (5.25)	323.9 (12.75)	203.2 (8.00)

Dimensions are in millimeters (inches).

Copyright 2023 Baker Hughes Company. All rights reserved.



Bently Nevada, Orbit Logo and Proximitor are registered trademarks of Baker Hughes Company, in the United States and other countries. The Baker Hughes logo is a trademark of Baker Hughes Company. All other product and company names are trademarks of their respective holders. Use of the trademarks does not imply any affiliation with or endorsement by the respective holders.

Baker Hughes provides this information on an “as is” basis for general information purposes. Baker Hughes does not make any representation as to the accuracy or completeness of the information and makes no warranties of any kind, specific, implied or oral, to the fullest extent permissible by law, including those of merchantability and fitness for a particular purpose or use. Baker Hughes hereby disclaims any and all liability for any direct, indirect, consequential or special damages, claims for lost profits, or third party claims arising from the use of the information, whether a claim is asserted in contract, tort, or otherwise. Baker Hughes reserves the right to make changes in specifications and features shown herein, or discontinue the product described at any time without notice or obligation. Contact your Baker Hughes representative for the most current information.

The information contained in this document is the property of Baker Hughes and its affiliates; and is subject to change without prior notice. It is being supplied as a service to our customers and may not be altered or its content repackaged without the express written consent of Baker Hughes. This product or associated products may be covered by one or more patents. See [Bentley.com/legal](https://www.bentley.com/legal).

1631 Bently Parkway South, Minden, Nevada USA 89423
Phone: 1.775.782.3611 (US) or [Bentley.com/support](https://www.bentley.com/support)
[Bentley.com](https://www.bentley.com)